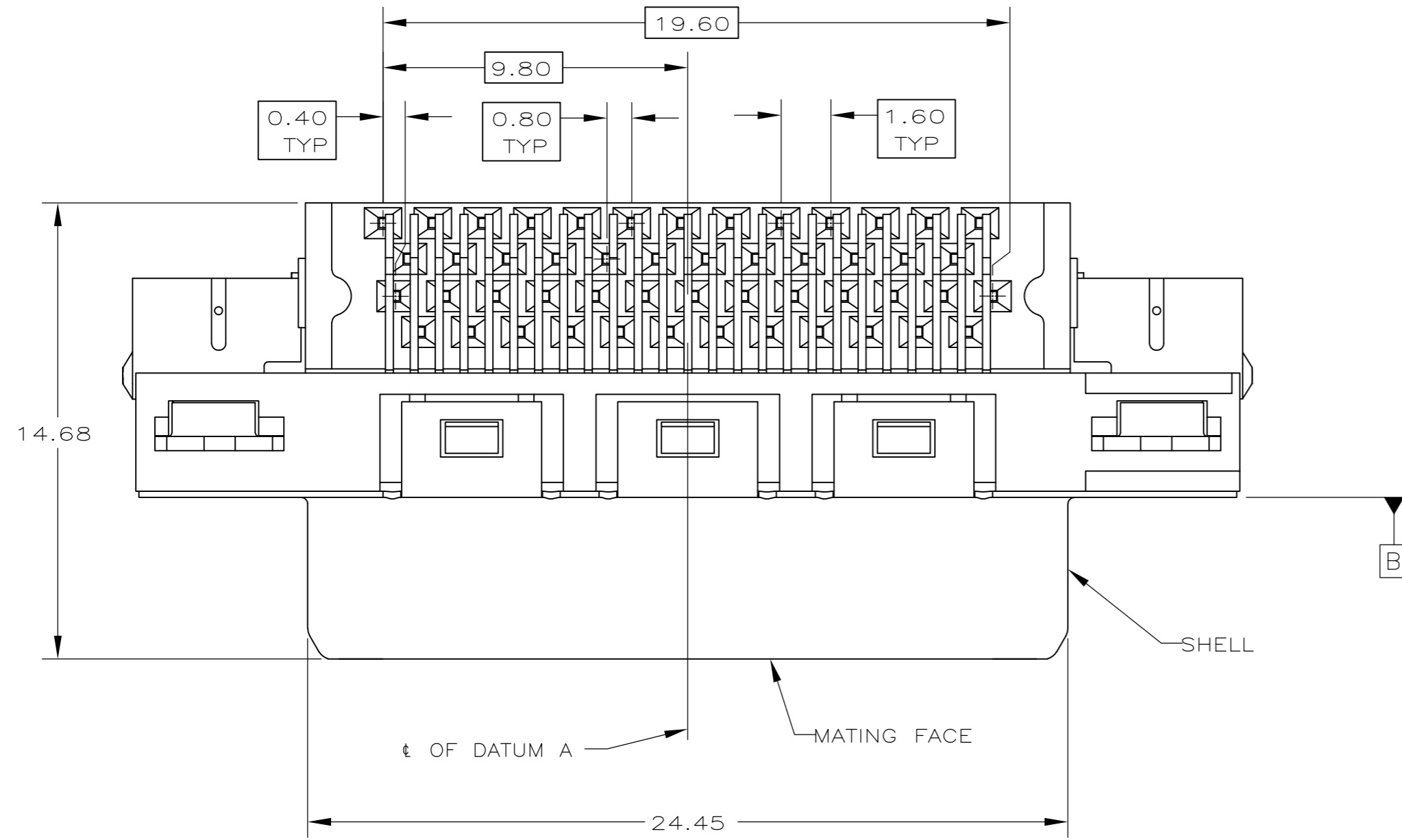
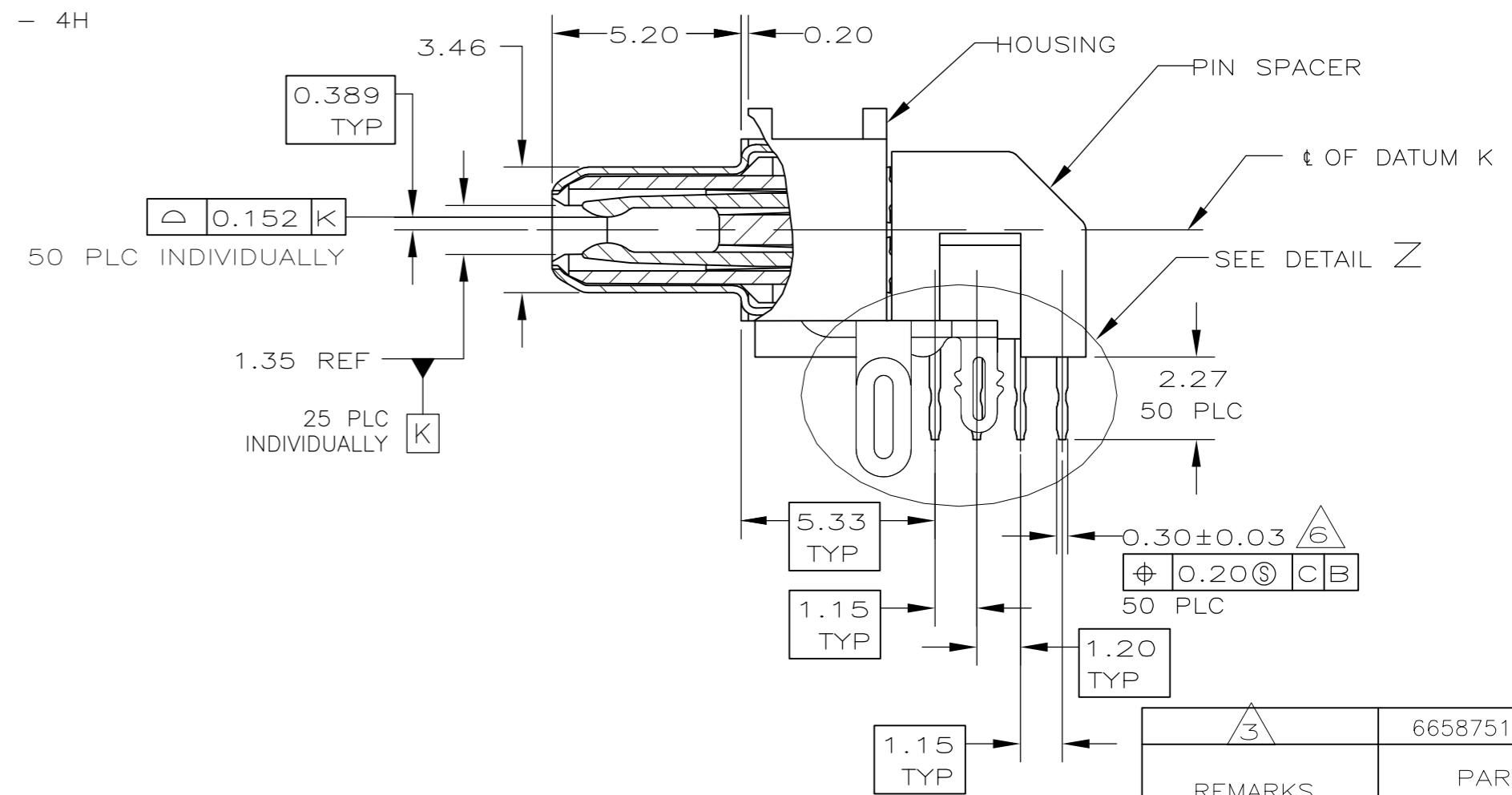
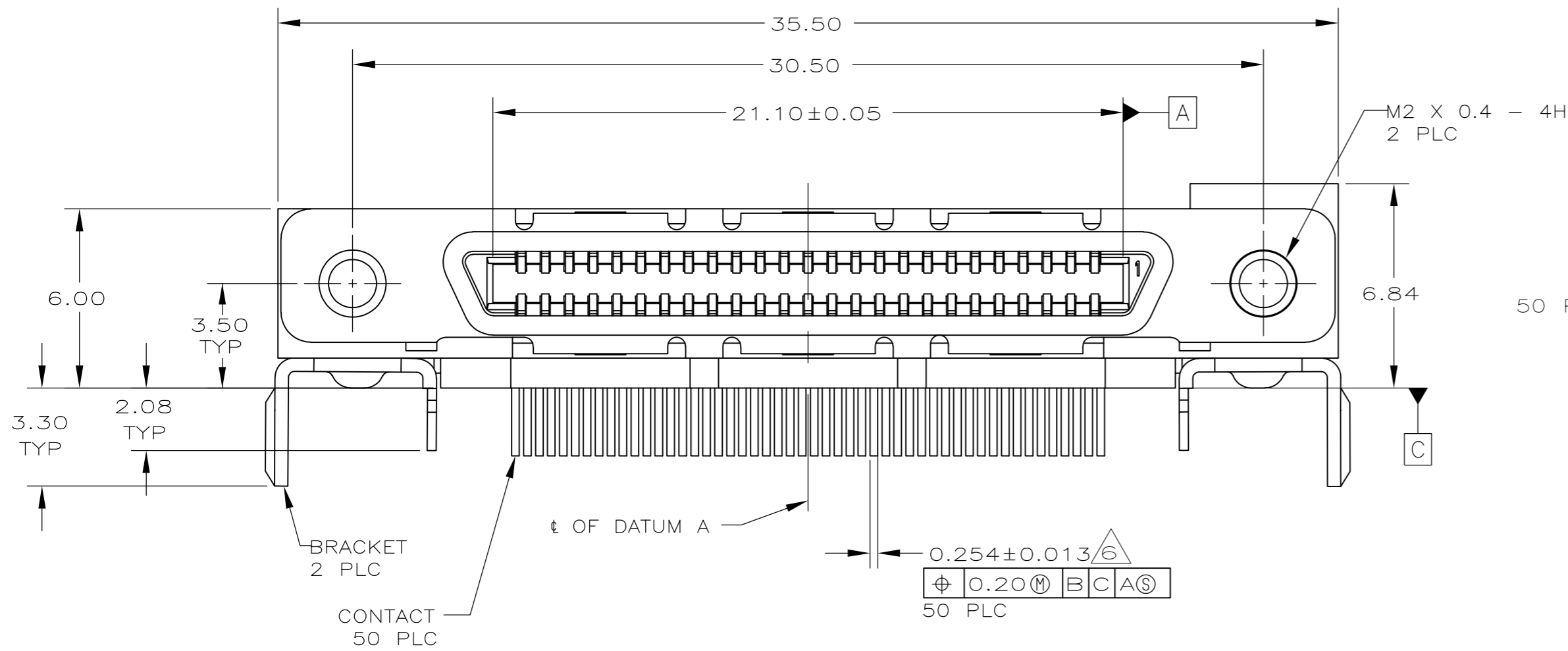


THIS DRAWING IS UNPUBLISHED. RELEASED FOR PUBLICATION  
 © COPYRIGHT - By - ALL RIGHTS RESERVED.

LOC		DIST		REVISIONS			
P	LTR	DESCRIPTION		DATE	DWN	APVD	
GP	00	B		REVISED PER ECO-12-014361	08JAN2013	CJV	EDB



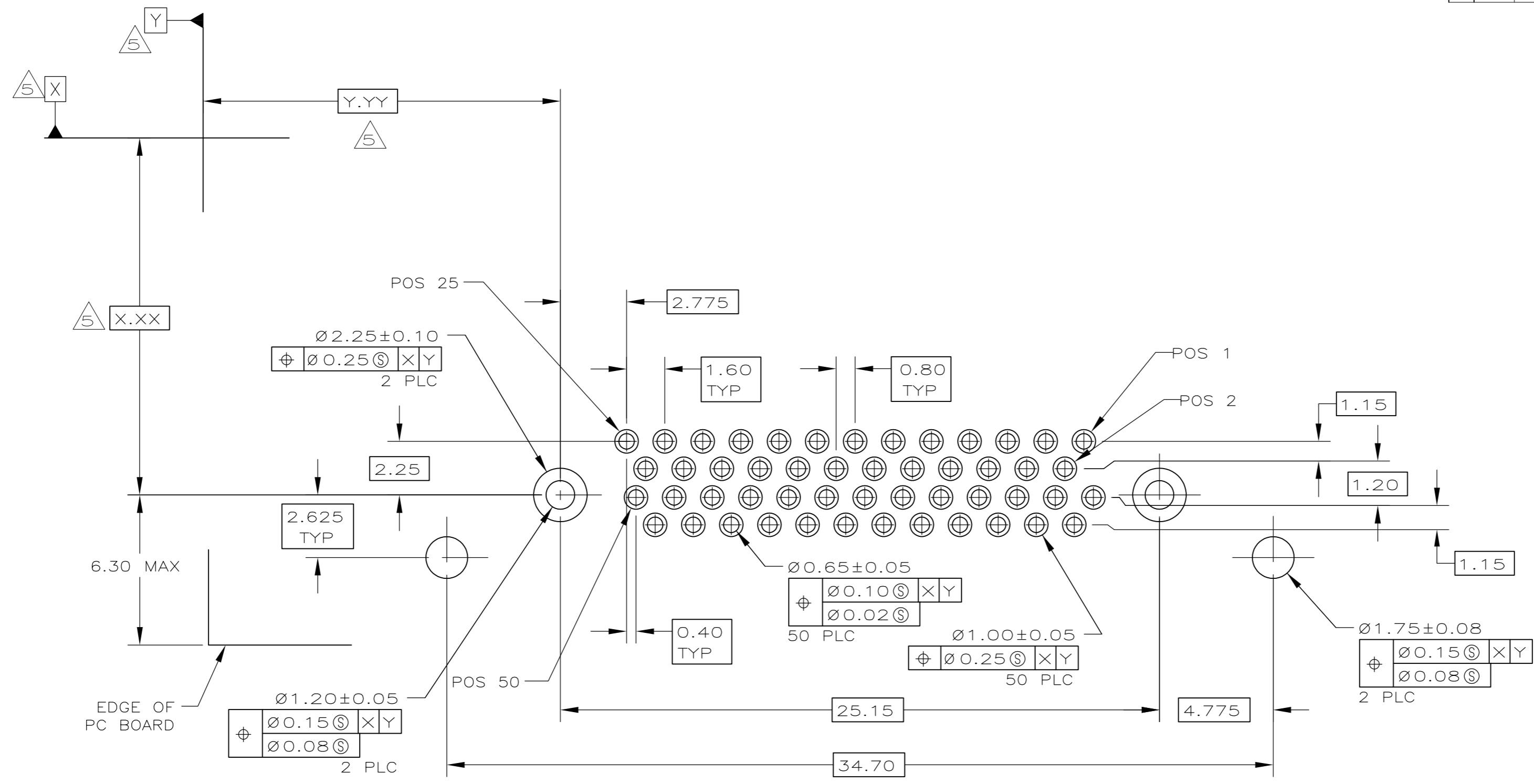
- 1 HOUSING & PIN SPACER: THERMOPLASTIC, BLACK, UL 94V-0 RATED. SHELL: CARBON STEEL. CONTACTS: PHOSPHOR BRONZE. BRACKETS: STEEL.
- 2 SHELL: 5.08 μm MIN NICKEL OVER 2.54 μm MIN COPPER. CONTACTS: 0.76 μm MIN GOLD ON MATING END, 3.75 μm MIN TIN ON SOLDER TAILS, BOTH OVER 1.27 μm MIN NICKEL ON ENTIRE CONTACT. BRACKETS: TIN PLATED.
- 3 CONTACTS DESIGNED FOR USE ON 1.60±0.15 THICK PC BOARD WITH PLATED THRU MOUNTING HOLES.
- 4 RECEPTACLE ASSEMBLY DESIGNED FOR USE WITH 1.12±0.08 THICK PANEL.
- 5 DATUMS AND DIMENSIONS ESTABLISHED BY CUSTOMER.
- 6 POSITION TOLERANCE APPLIES AT CONTACT TIP ONLY.



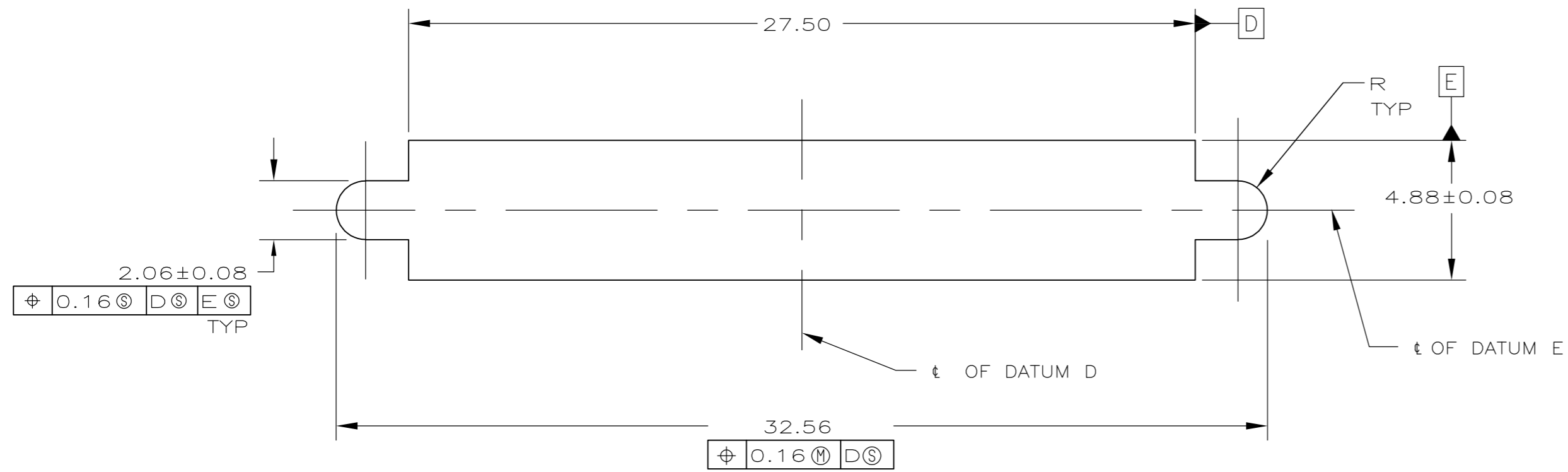
THIS DRAWING IS A CONTROLLED DOCUMENT. DIMENSIONING AND TOLERANCING PER ASME Y14.5M-2009		DWN L. VARELA - DOCK5 08-01-05	TE Connectivity	
DIMENSIONS: mm		CHK S. SHUEY 08-01-05	RECEPTACLE ASSEMBLY, 50 POSITION, SHIELDED, RIGHT ANGLE, CHAMP 0.8mm	
TOLERANCES UNLESS OTHERWISE SPECIFIED:		APVD M. WALMSLEY 08-01-05	NAME	
0 PLC ± -	1 PLC ± -	PRODUCT SPEC	SIZE CAGE CODE DRAWING NO RESTRICTED TO	
2 PLC ± 0.13	3 PLC ± -	APPLICATION SPEC	A2 00779 C=6658751	
4 PLC ± -	ANGLES ± 1°	WEIGHT -	SCALE 6:1	SHEET 1 of 2
MATERIAL 1	FINISH 2	CUSTOMER DRAWING	REMARKS	PART NUMBER 6658751-1

THIS DRAWING IS UNPUBLISHED. RELEASED FOR PUBLICATION  
 © COPYRIGHT - By - ALL RIGHTS RESERVED.

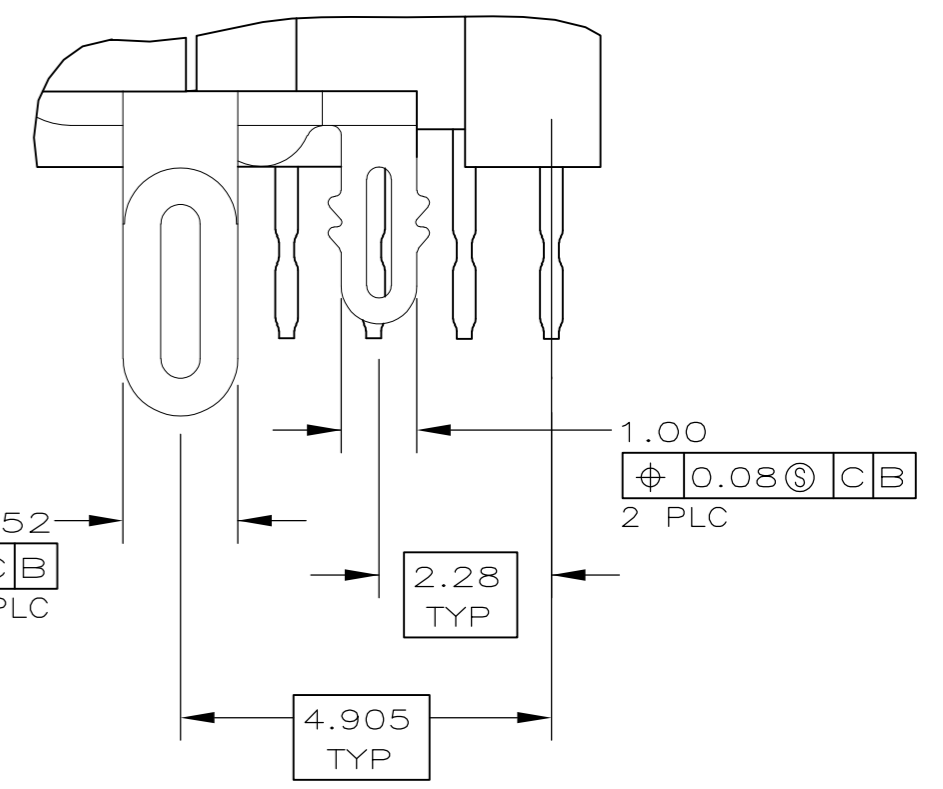
LOC	DIST	REVISIONS					
GP	00	P	LTR	DESCRIPTION	DATE	DWN	APVD
		-	-	SEE SHEET 1	-	-	-



PC BOARD MOUNTING DIMENSIONS  $\Delta 3$



PANEL CUT-OUT DIMENSIONS  $\Delta 4$



DETAIL SCALE 10:1

THIS DRAWING IS A CONTROLLED DOCUMENT. DIMENSIONING AND TOLERANCING PER ASME Y14.5M-2009		DWN L. VARELA - DOCK5 08-01-05	TE Connectivity	
DIMENSIONS: mm		CHK S. SHUEY 08-01-05	NAME	
TOLERANCES UNLESS OTHERWISE SPECIFIED:		APVD M. WALMSELY 08-01-05	RECEPTACLE ASSEMBLY, 50 POSITION, SHIELDED, RIGHT ANGLE, CHAMP 0.8mm	
0 PLC ± -	1 PLC ± -	PRODUCT SPEC	SIZE	CAGE CODE
2 PLC ± 0.13	3 PLC ± -	APPLICATION SPEC	A2	00779
4 PLC ± -	ANGLES ± 1°	WEIGHT	SCALE	SHEET
MATERIAL	FINISH	CUSTOMER DRAWING	6:1	2 of 2
DRAWING NO. C=6658751			RESTRICTED TO	REV B

单击下面可查看定价，库存，交付和生命周期等信息

[>>TE Connectivity\(泰科\)](#)