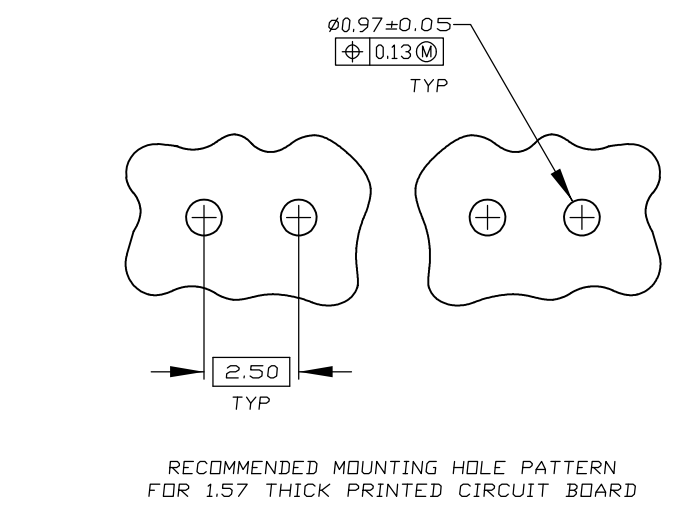
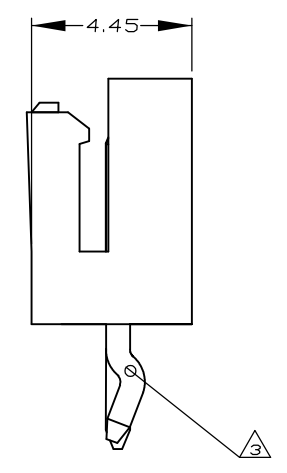
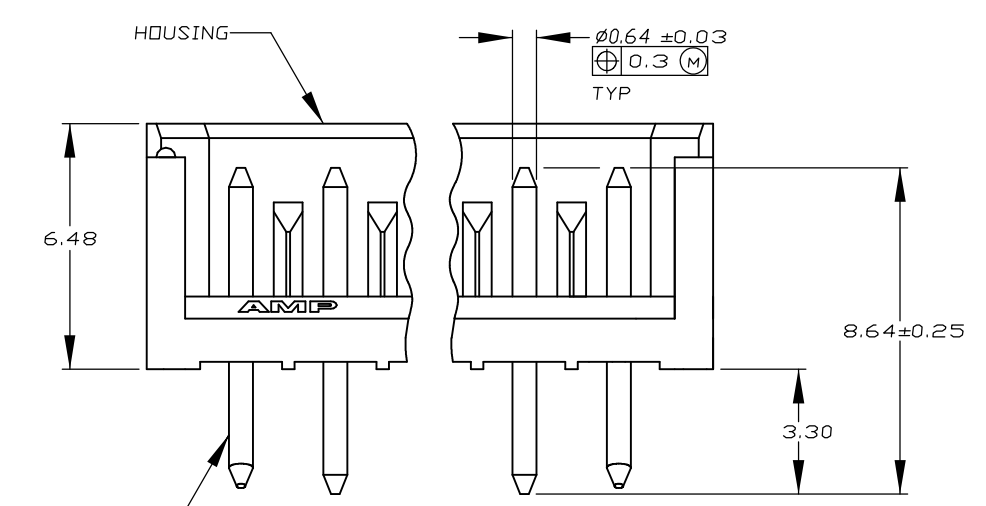
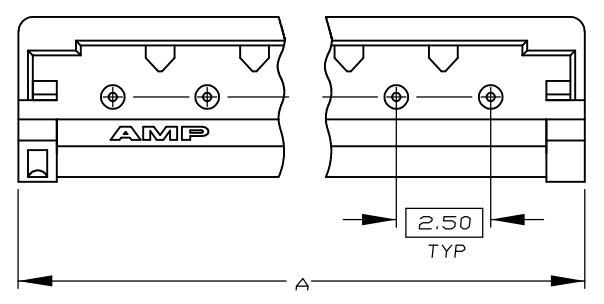
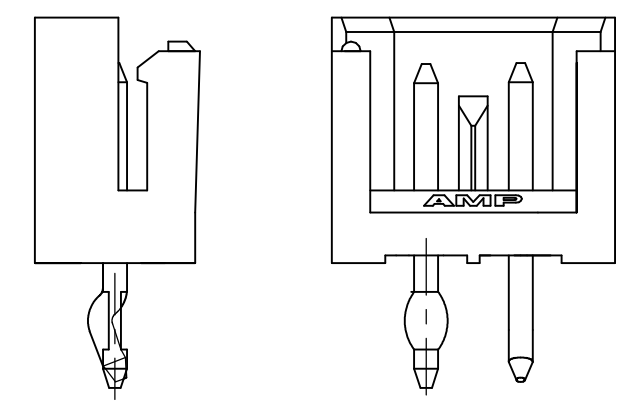


THIS DRAWING IS UNPUBLISHED. RELEASED FOR PUBLICATION  
 © COPYRIGHT - By - ALL RIGHTS RESERVED.

LOC	DIST	REVISIONS			
P	LTR	DESCRIPTION	DATE	DWN	APVD
ES	00				
NOTES:		F2	REVISED PER ECO-11-005033	28MAR11	RK HMR



- 1 MATERIAL: HEADER: NYLON UL94V-0 (WHITE),  
POST: BRASS, TIN OVER NICKEL OR GOLD OVER NICKEL
- 2. POST COMPLY WITH AMP SOLDERABILITY SPEC 109-11-2.
- 3 RETENTION DETAIL LOCATED ON END CIRCUITS ONLY
- 4 (2) CIRCUIT HEADER TO BE AS SHOWN IN FIGURE 1.



- 5 OBSOLETE PARTS: OBSOLETE CIS STREAMLINING PER D.RENAUD/D.SINISI

5 OBSOLETE	NO OF CIRCUITS		GOLD PLATED PIN	TIN PLATED PIN	PART NO	PART NO
	A					
	37.5	14			3-92008-4	<del>1-92008-4</del>
	35	13			3-92008-3	<del>1-92008-3</del>
	32.5	12			3-92008-2	<del>1-92008-2</del>
	30	11			3-92008-1	<del>1-92008-1</del>
	27.5	10			3-92008-0	<del>1-92008-0</del>
	25	9			2-92008-9	<del>92008-9</del>
	22.5	8			<del>2-92008-8</del>	92008-8
	20	7			2-92008-7	<del>92008-7</del>
	17.5	6			<del>2-92008-6</del>	92008-6
	15	5			<del>2-92008-5</del>	92008-5
	12.5	4			<del>2-92008-4</del>	92008-4
	10	3			<del>2-92008-3</del>	92008-3
	7.5	2			<del>2-92008-2</del>	92008-2

THIS DRAWING IS A CONTROLLED DOCUMENT.

DWN SARIATI 08SEP2003  
 CHK MAGGIE  
 APVD P de JONG  
 PRODUCT SPEC 108-51007  
 APPLICATION SPEC

**STE** TE Connectivity

HEADER ASSEMBLY, ROUND PIN METRIC INTERCONNECT SYSTEM

SIZE A3 CAGE CODE 00779 DRAWING NO C-92008 RESTRICTED TO -

CUSTOMER DRAWING SCALE 1:1 SHEET 1 OF 1 REV F2

单击下面可查看定价，库存，交付和生命周期等信息

[>>TE Connectivity\(泰科\)](#)