

THIS DRAWING IS UNPUBLISHED.

RELEASED FOR PUBLICATION

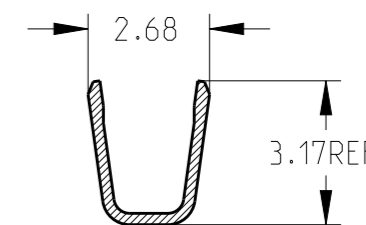
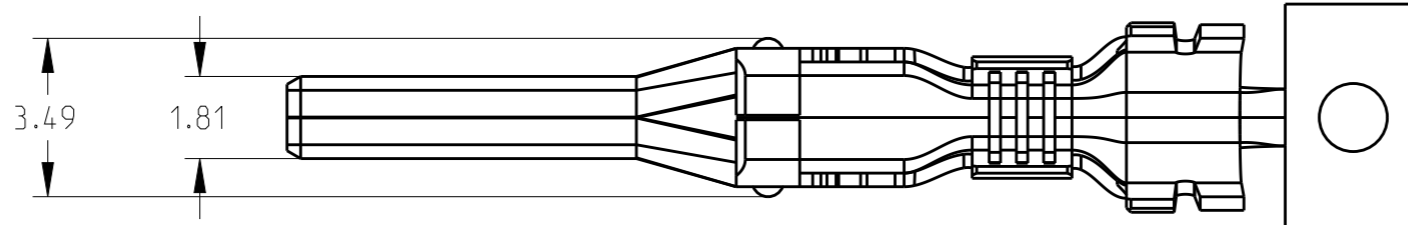
© COPYRIGHT 19 BY -

ALL RIGHTS RESERVED.

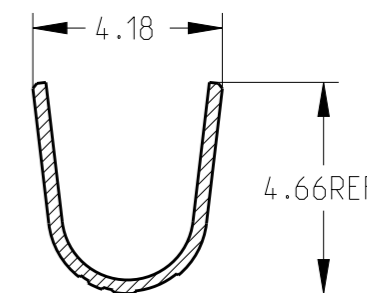
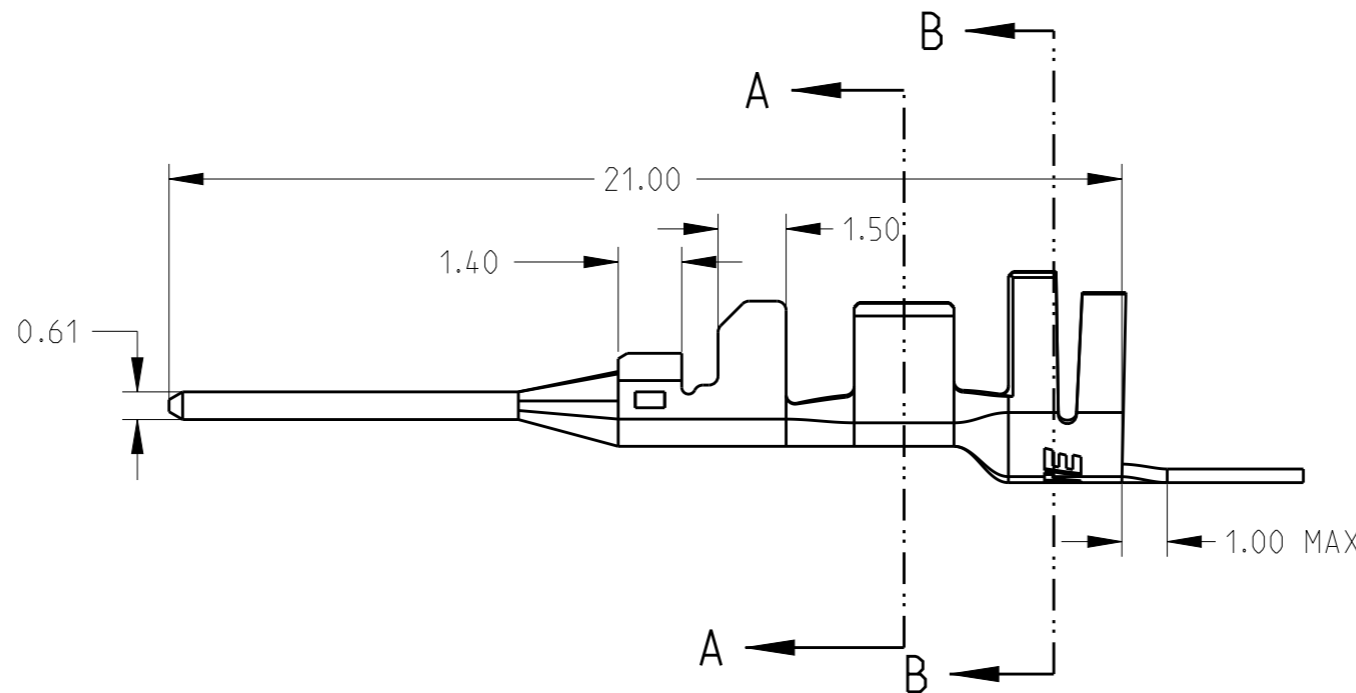
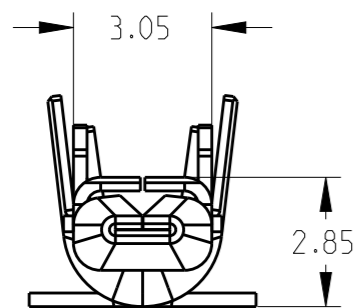
LOC ES DIST 00

REVISIONS

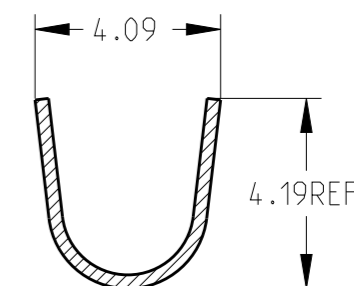
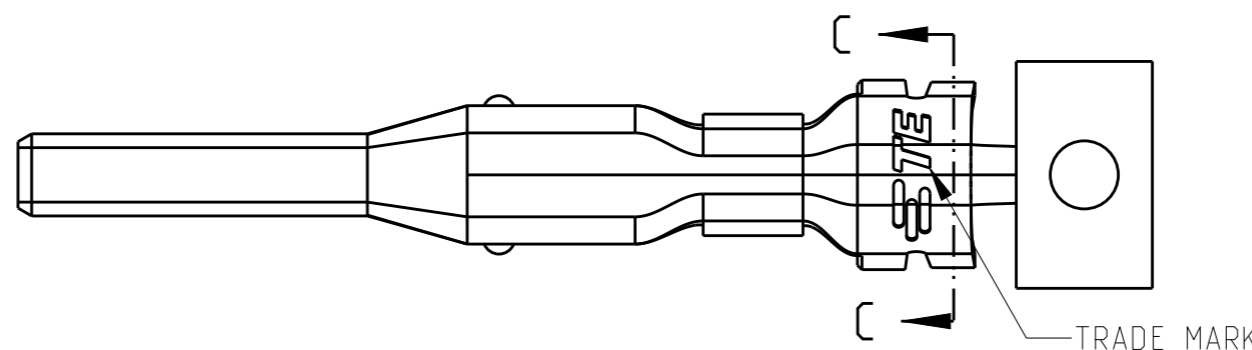
P	LTR	DESCRIPTION	DATE	DWN	APVD
	A2	RELEASED PER ECR-19-003481	14 JUN19	N.L	D.Z



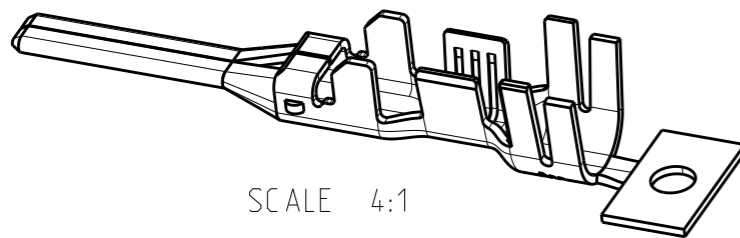
SECTION A-A



SECTION B-B



SECTION C-C




SCALE 4:1

NOTE:

- 1. MATERIAL: COPPER ALLOY. PRE-TINNED
- 2. APPLICABLE HOUSING P/N: 1983658-*, 1983659-*
- 3. APPLICABLE WIRE RANGE: 16~20AWG

4000PCS/REEL	3-1983661-1
5000PCS/REEL	1983661-1
UNIT PKG QTY	PART NO.

THIS DRAWING IS A CONTROLLED DOCUMENT.		DWN LEO LIU 19AUG2011	 TE Connectivity	
DIMENSIONS: mm		CHK HAPYE WU 19AUG2011		
TOLERANCES UNLESS OTHERWISE SPECIFIED:		APVD ERIC KONG 19AUG2011		
0 PLC ± 1 PLC ±1.0 2 PLC ±0.50 3 PLC ±0.300 4 PLC ±0.2000 ANGLES ±		NAME		
MATERIAL -		PRODUCT SPEC 108-106071	TAB CONTACT MULTI 6P CONNECTOR	
FINISH -		APPLICATION SPEC 114-106071	SIZE A3	CAGE CODE -
		WEIGHT -	DRAWING NO C=1983661	RESTRICTED TO -
		CUSTOMER DRAWING	SCALE N/A	SHEET 1 OF 1
				REV A2

单击下面可查看定价，库存，交付和生命周期等信息

[>>TE Connectivity\(泰科\)](#)