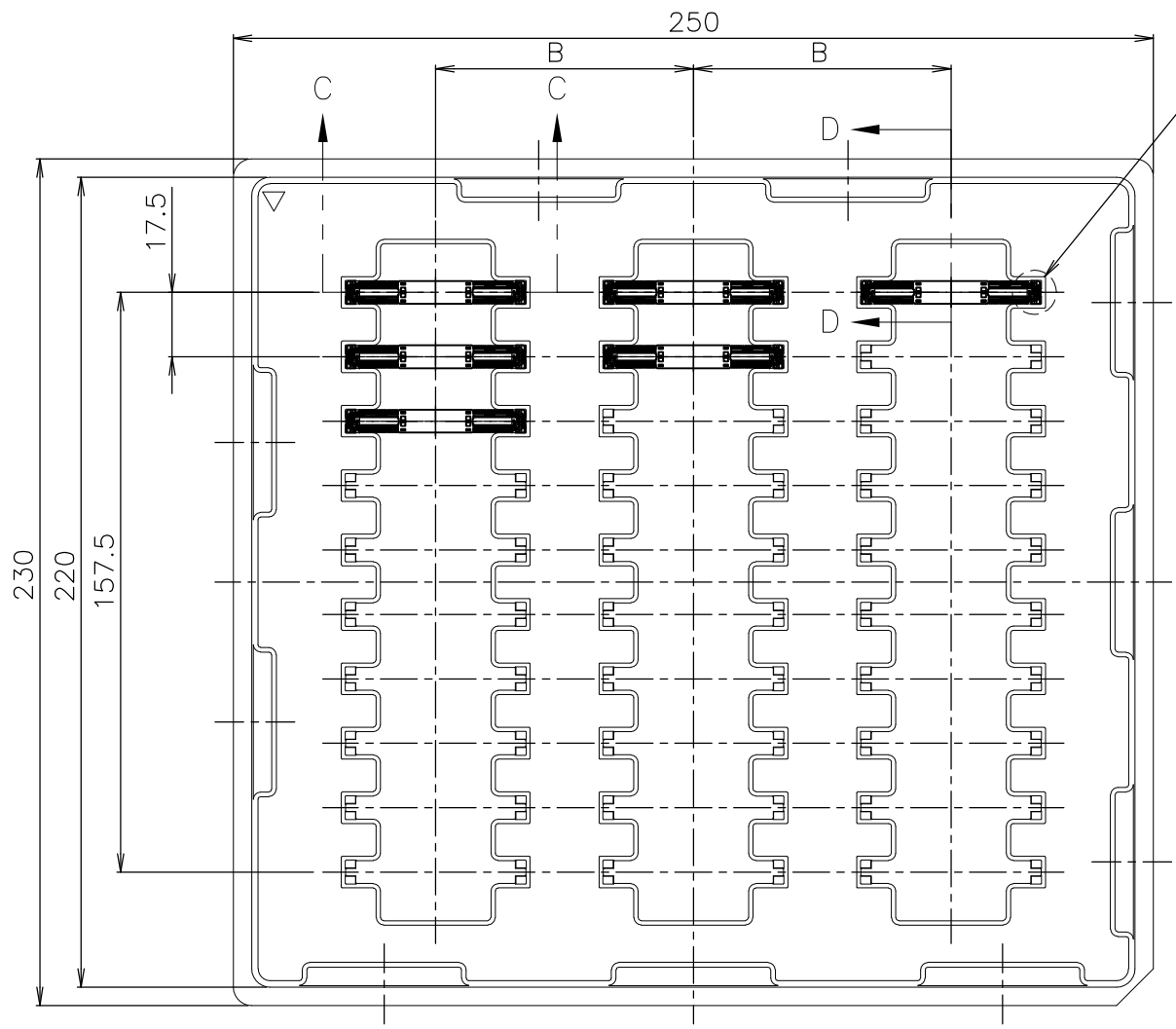
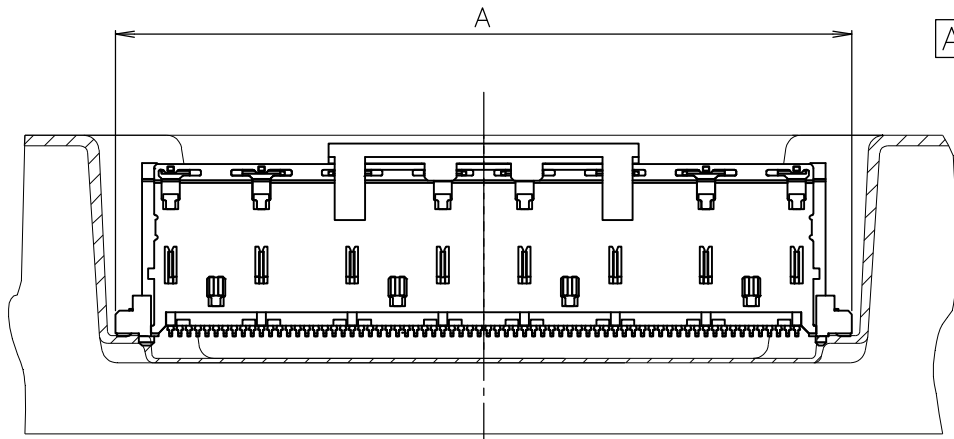


THIS DRAWING IS UNPUBLISHED. RELEASED FOR PUBLICATION OCT. 2008.  
 © COPYRIGHT 2008 By - ALL RIGHTS RESERVED.

LOC	DIST	REVISIONS			DATE	DWN	APVD
J		P	LTR	DESCRIPTION			
		A1		OBSOLETE	02APR2015	I.T	W.H

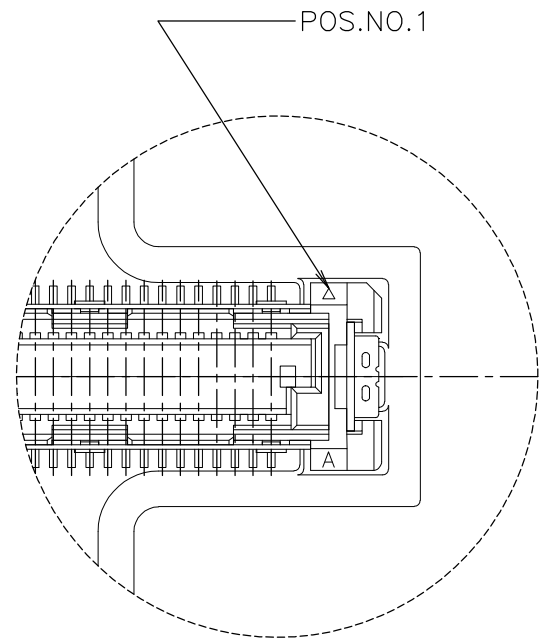


SEE DETAIL E

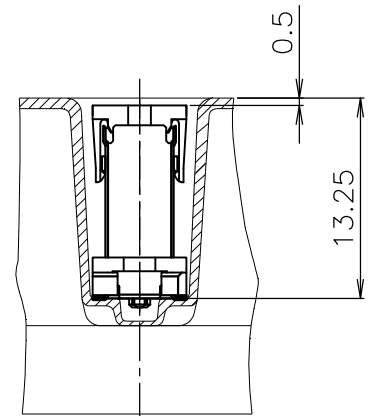


AS SHOWN:TYPE-1

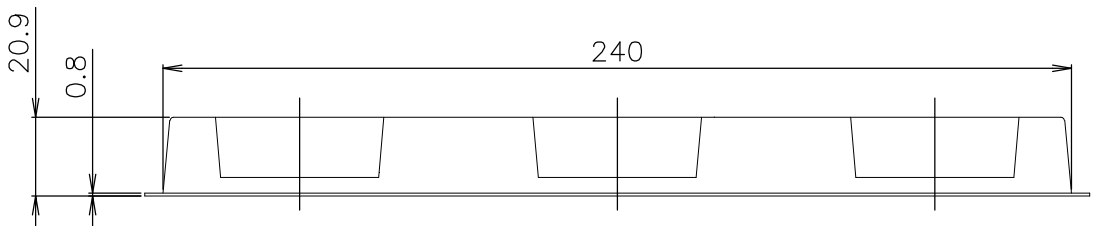
C-C  
(SCALE 2:1)



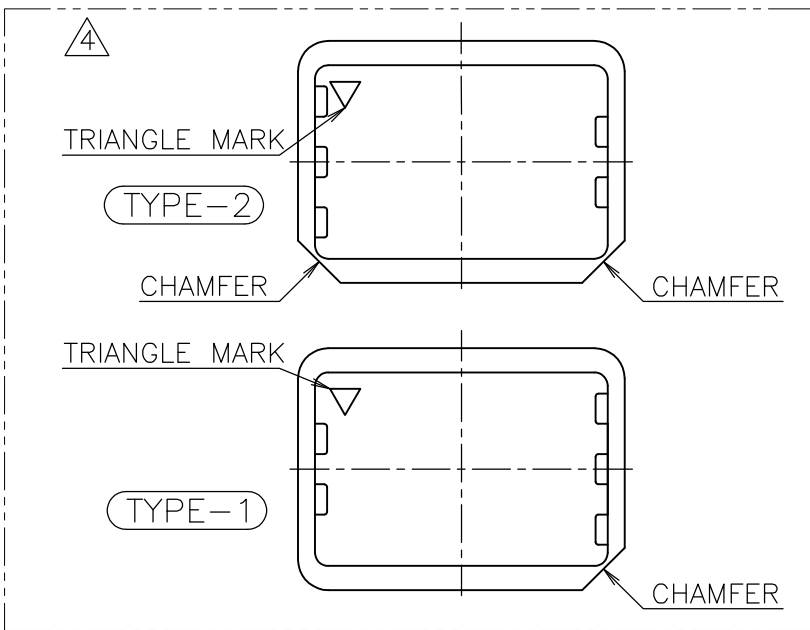
DETAIL E  
(SCALE 4:1)



D-D  
(SCALE 2:1)



⚠ TRAY TYPE-1 AND TYPE-2 MUST BE  
 PILED UP BY TURNS.  
 (REFER TO PACKING SPECIFICATIONS)



(A1)	OBSOLETE	NON SEALANT	AVAILABLE	3	30	70	48.7	140	2069478-1
		SEALANT	TOOLING STATUS	LOW	QTY	B	A	POS.	PART NO.

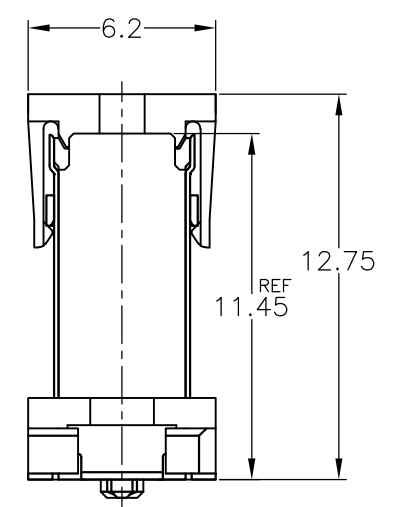
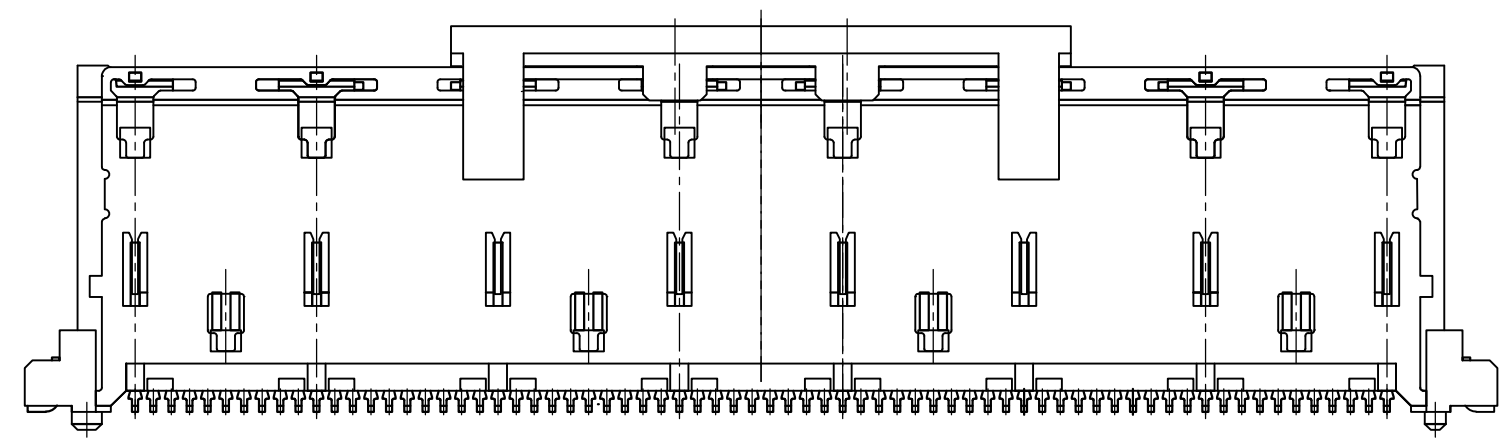
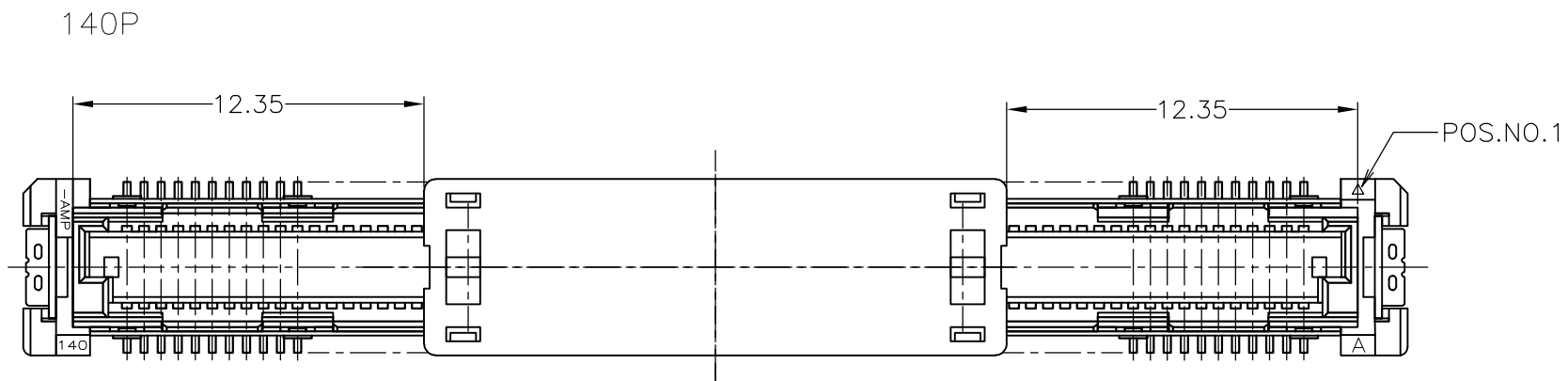
THIS DRAWING IS A CONTROLLED DOCUMENT.

DIMENSIONS: ??? ? mm	TOLERANCES UNLESS OTHERWISE SPECIFIED: ????	DWN Y.OKOSHI 21OCT2008	<b>STE</b> TE Connectivity
	0 PLC ± -	CHK S.KAJINUMA 21OCT2008	
	1 PLC ± -	APVD T.FUTATSUGI 21OCT2008	
	2 PLC ± -	NAME ??	
	3 PLC ± -	PRODUCT SPEC 108-60047	SOFT TRAY ASSY
	4 PLC ± -	APPLICATION SPEC 114-5255	FH 0.6BTB CONNECTOR
	ANGLES ± -	WEIGHT	PLUG 12H W/G-PLATE AND CAP
MATERIAL ??	FINISH ??	SIZE A3	RESTRICTED TO
		CAGE CODE 00779	
		DRAWING NO C-2069478	
		SCALE ?? 1:2	
		SHEET 1 OF 3	
		REV A1	

GENERAL TOLERANCE  
 一般公差  
 10 ≥ ±0.2  
 30 ≥ >10: ±0.25  
 100 ≥ >30: ±0.3  
 ANGLES: ±3°

THIS DRAWING IS UNPUBLISHED. RELEASED FOR PUBLICATION OCT , 2008.  
 © COPYRIGHT 2008 By - ALL RIGHTS RESERVED.

LOC	DIST	REVISIONS					
J		P	LTR	DESCRIPTION	DATE	DWN	APVD
		-		SEE SHEET 1	-	-	-



THIS DRAWING IS A CONTROLLED DOCUMENT.		DWN	<b>STE</b> TE Connectivity			
DIMENSIONS: ??? ? mm		CHK				
TOLERANCES UNLESS OTHERWISE SPECIFIED: ????		APVD	NAME ??			
0 PLC ± -		PRODUCT SPEC	SOFT TRAY ASSY			
1 PLC ± -		APPLICATION SPEC	FH 0.6BTB CONNECTOR			
2 PLC ± -		WEIGHT	PLUG 12H W/G-PLATE AND CAP			
3 PLC ± -		CUSTOMER DRAWING	SIZE	CAGE CODE	DRAWING NO	RESTRICTED TO
4 PLC ± -			A3	00779	C-2069478	
ANGLES ± -		SCALE	SHEET	REV		
FINISH ??		?? 1:2	2 OF 3	A1		



单击下面可查看定价，库存，交付和生命周期等信息

[>>TE Connectivity\(泰科\)](#)