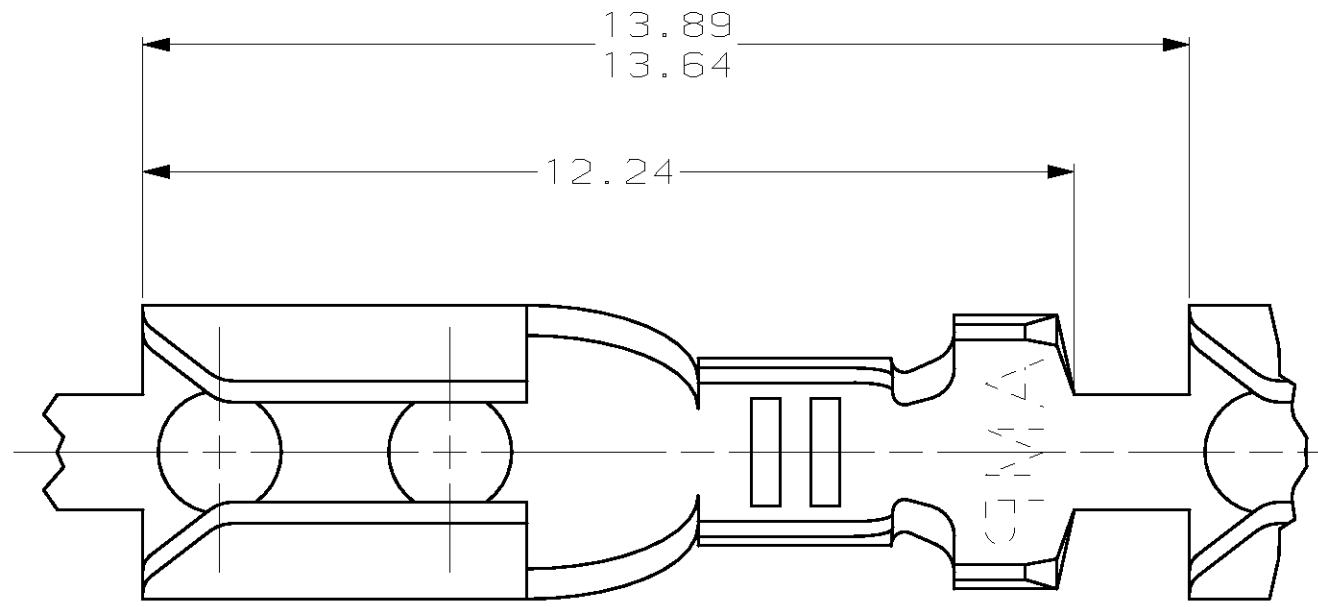
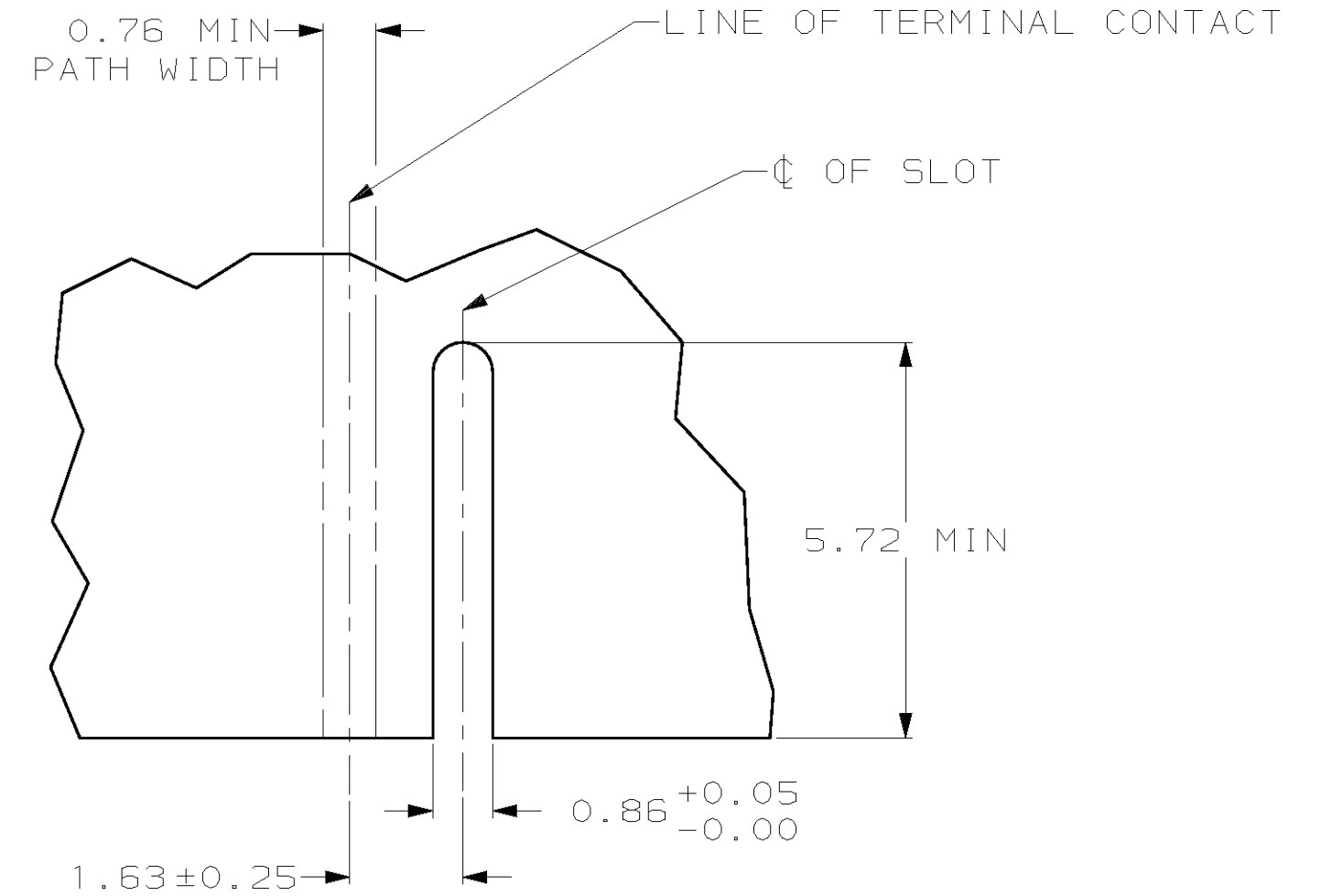


THIS DRAWING IS UNPUBLISHED. RELEASED FOR PUBLICATION  
 (C) COPYRIGHT 19 BY AMP INCORPORATED. ALL RIGHTS RESERVED.

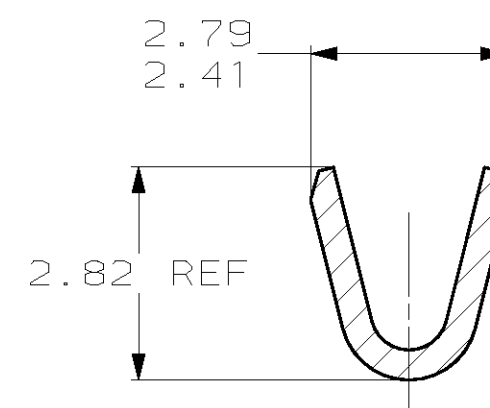
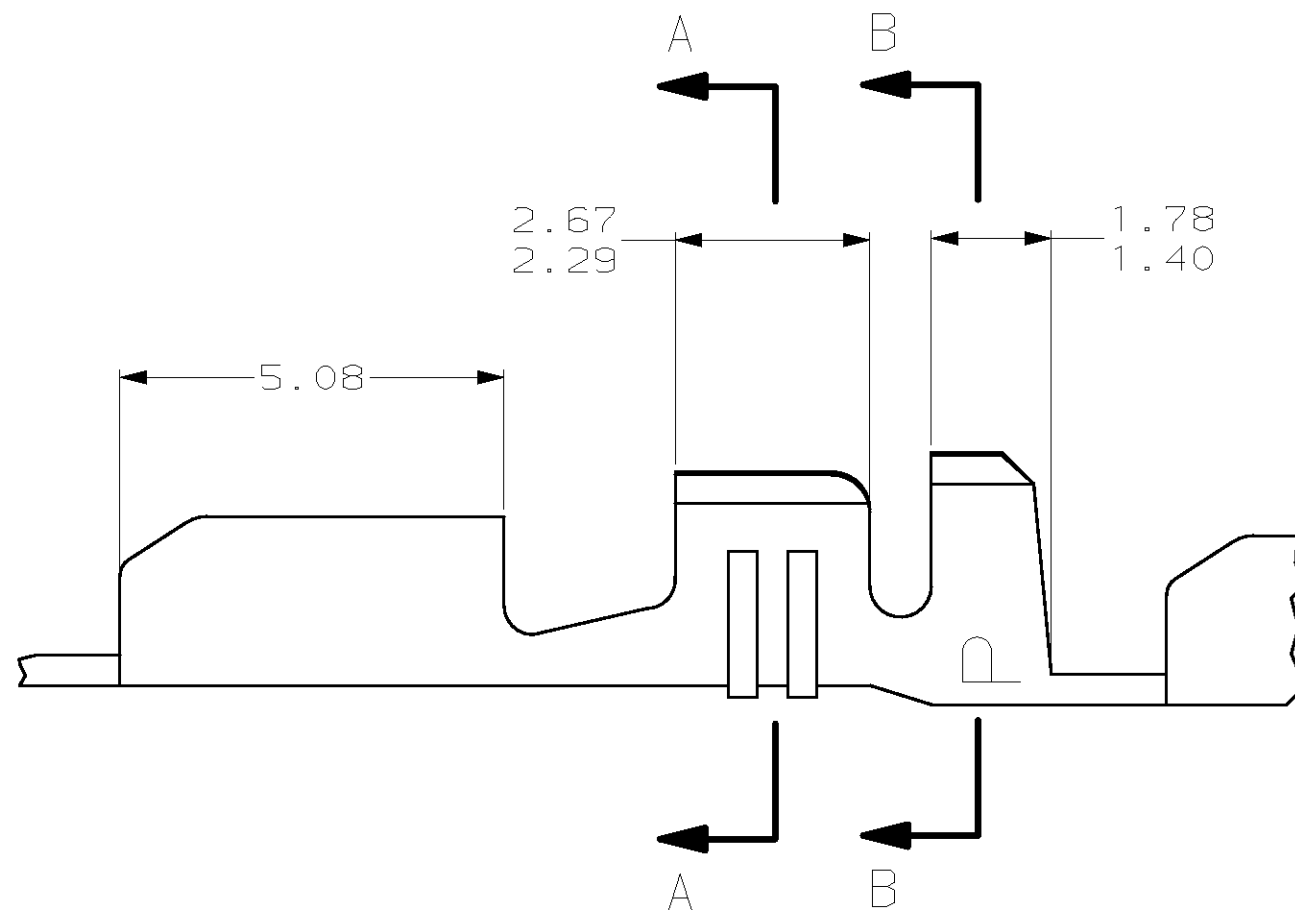
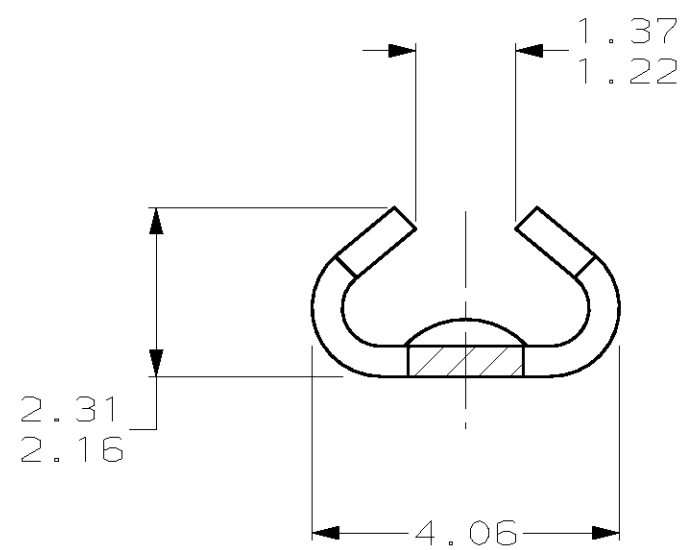
| LOC |     | DIST        |                                 | REVISIONS |      |    |  |
|-----|-----|-------------|---------------------------------|-----------|------|----|--|
| P   | LTR | DESCRIPTION | DATE                            | DWN       | APVD |    |  |
| CM  | 52  | G           | REV & REDWN PER EC 0L30-0096-97 | 1-30-97   | TB   | RS |  |



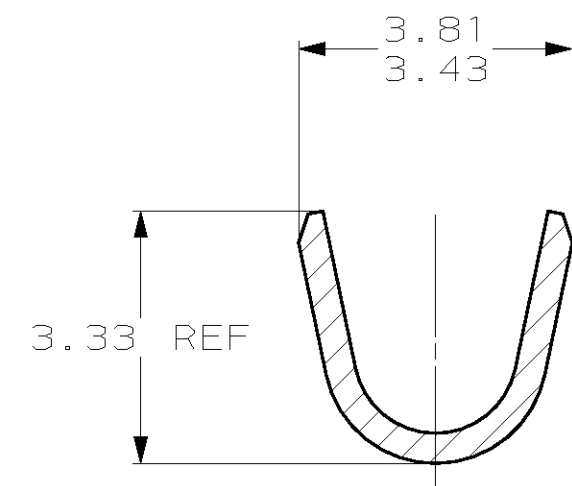
1. WIRE RANGE: 0.3 - 0.9 MM<sup>2</sup> (22 - 18 AWG)
2. INSULATION RANGE: 0.51 - 1.27



RECOMMENDED CUT OUT FOR 1.57 THICK P.C. BOARD



SECTION A-A



SECTION B-B

60156-2  
PART NUMBER

|      |      |      |      |      |      |       |      |
|------|------|------|------|------|------|-------|------|
| 1.22 | .048 | 2.29 | .090 | 3.81 | .150 | -     | -    |
| 0.86 | .034 | 2.16 | .085 | 3.43 | .135 | -     | -    |
| 0.76 | .030 | 2.03 | .080 | 3.33 | .131 | 13.89 | .547 |
| 0.41 | .016 | 1.78 | .070 | 2.82 | .111 | 13.64 | .537 |
| 0.25 | .010 | 1.63 | .064 | 2.79 | .110 | 12.24 | .482 |
| 0.13 | .005 | 1.57 | .062 | 2.67 | .105 | 5.72  | .225 |
| 0.05 | .002 | 1.40 | .055 | 2.41 | .095 | 5.08  | .200 |
| 0.00 | .000 | 1.37 | .054 | 2.31 | .091 | 4.06  | .160 |
| MM   | IN   | MM   | IN   | MM   | IN   | MM    | IN   |

CONVERSION TABLE

**METRIC**

|  |  |                  |  |              |
|--|--|------------------|--|--------------|
| THIS DRAWING IS A CONTROLLED DOCUMENT. |  | DWN              | T. BECK  | 1-30-97      |
| DIMENSIONS: mm                         |  | CHK              | R. SWING   | 1-30-97      |
| TOLERANCES UNLESS OTHERWISE SPECIFIED: |  | APVD             | A. BEDDICK   | 2-05-97      |
| 0 PLC ±                                |  | PRODUCT SPEC     | NAME   |              |
| 1 PLC ±                                |  | APPLICATION SPEC | TERMINAL, 22-18 AWG, .080-.100 INSULATION, AMP-EDGE™ |              |
| 2 PLC ±0.13                            |  | WEIGHT           | SIZE   | CAGE CODE    |
| 3 PLC ±                                |  | CUSTOMER DRAWING | A2   | 00779        |
| 4 PLC ±                                |  | SCALE            | 10:1   | SHEET 1 OF 1 |
| ANGLES ±                               |  | REV              | G  |              |
| FINISH                                 |  | DRAWING NO       |  |              |
| 0.41 BRASS                             |  | 60156            |  |              |

单击下面可查看定价，库存，交付和生命周期等信息

[>>TE Connectivity\(泰科\)](#)