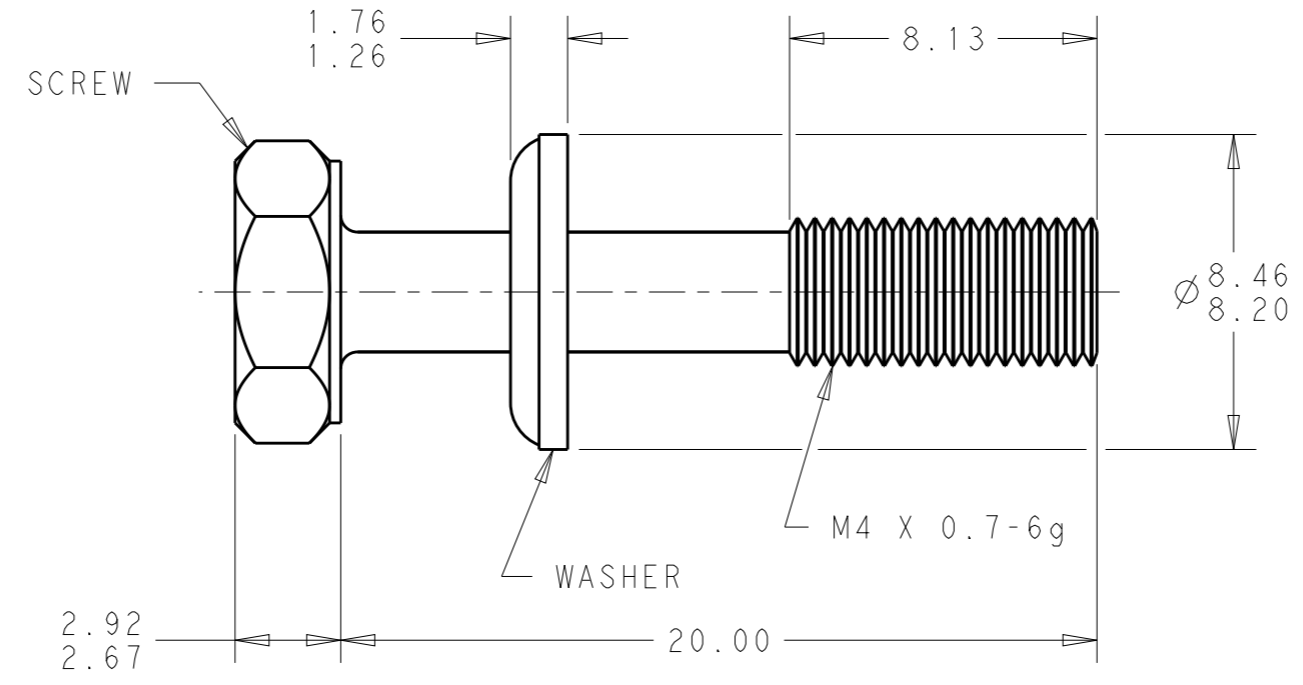
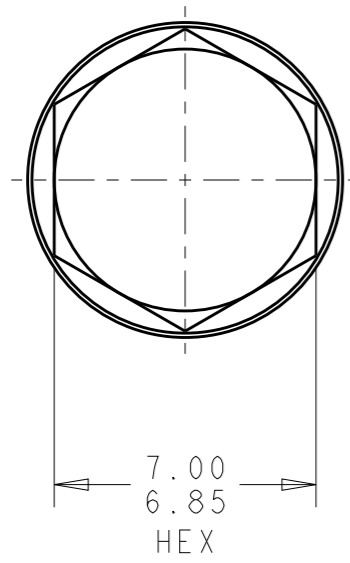


THIS DRAWING IS UNPUBLISHED. RELEASED FOR PUBLICATION 20
 © COPYRIGHT 20 BY - ALL RIGHTS RESERVED.


LOC	DIST	REVISIONS			
P	LTR	DESCRIPTION	DATE	DWN	APVD
CM	00	B1	REVISED PER ECO-12-015596	11OCT2012	RGV DCS
		C	REVISED PER ECO-13-002574	13FEB2013	DLD DCS

- TORQUE FAILURE TO BE 3.4 - 4.5 Nm [30 - 40 IN LB].
- CUMMINS ELECTRONICS MUST BE INFORMED BY WAY OF A PRODUCT CHANGE IDENTIFICATION OF ALL CHANGES TO THE TE CUSTOMER DRAWINGS.

3 NOTE DELETED.



212982-1
PART NUMBER

THIS DRAWING IS A CONTROLLED DOCUMENT.		DWN R. VESTAL 13AUG2012	 TE Connectivity	
DIMENSIONS: mm		CHK D. STRAUSSER 13AUG2012		
TOLERANCES UNLESS OTHERWISE SPECIFIED:		APVD D. STRAUSSER 13AUG2012	NAME SCREW, HEX HEAD, M4 X 0.7, ECMSC	
0 PLC ±- 1 PLC ±- 2 PLC ±- 3 PLC ±0.13 4 PLC ±- ANGLES ±-		PRODUCT SPEC -	RESTRICTED TO -	
MATERIAL STAINLESS STEEL		FINISH PASSIVATED	APPLICATION SPEC -	SIZE A3
		WEIGHT -	Customer Drawing	CAGE CODE 00779
			DRAWING NO C-212982	SCALE 5:1
				SHEET 1 OF 1
				REV C

单击下面可查看定价，库存，交付和生命周期等信息

[>>TE Connectivity\(泰科\)](#)