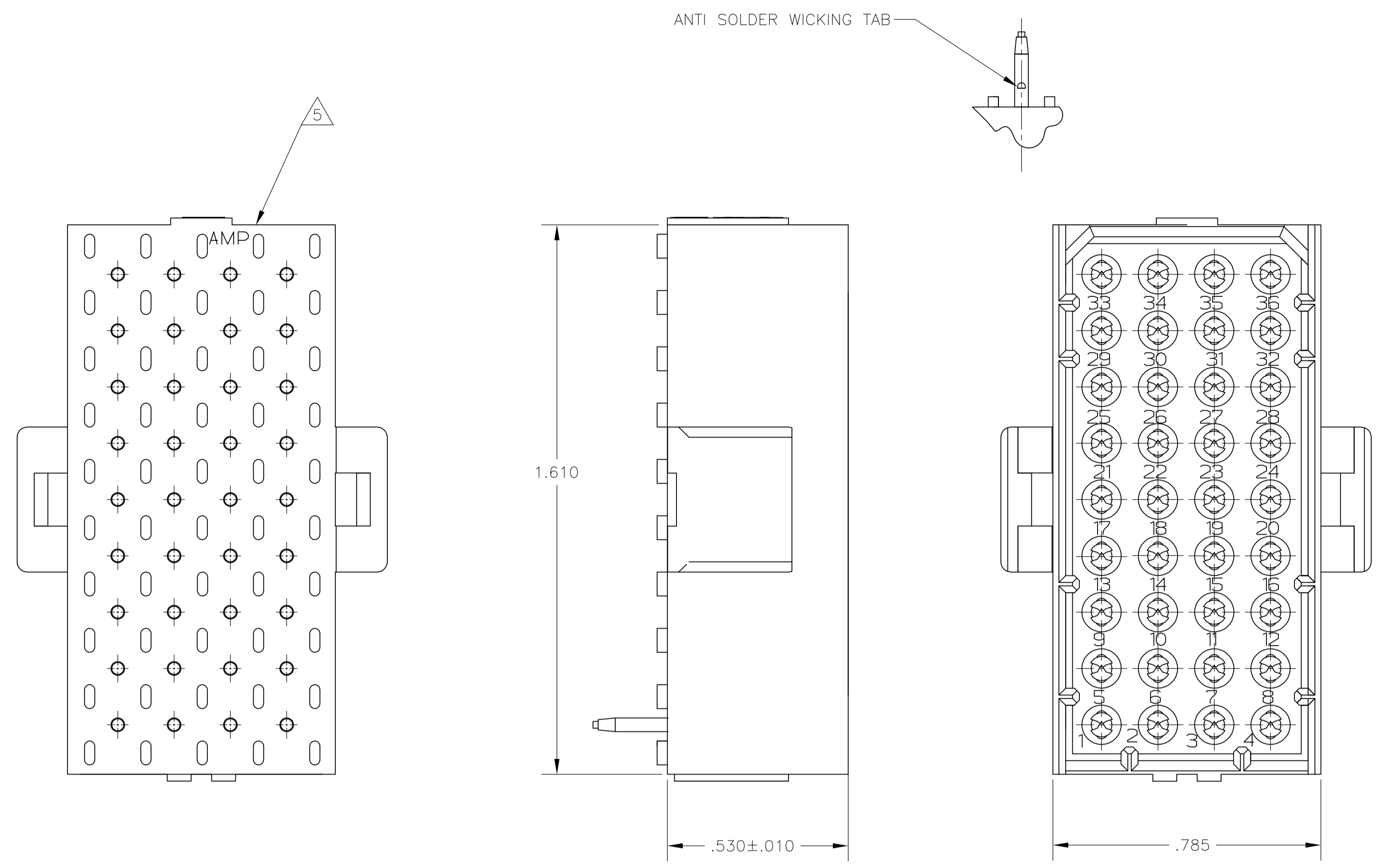
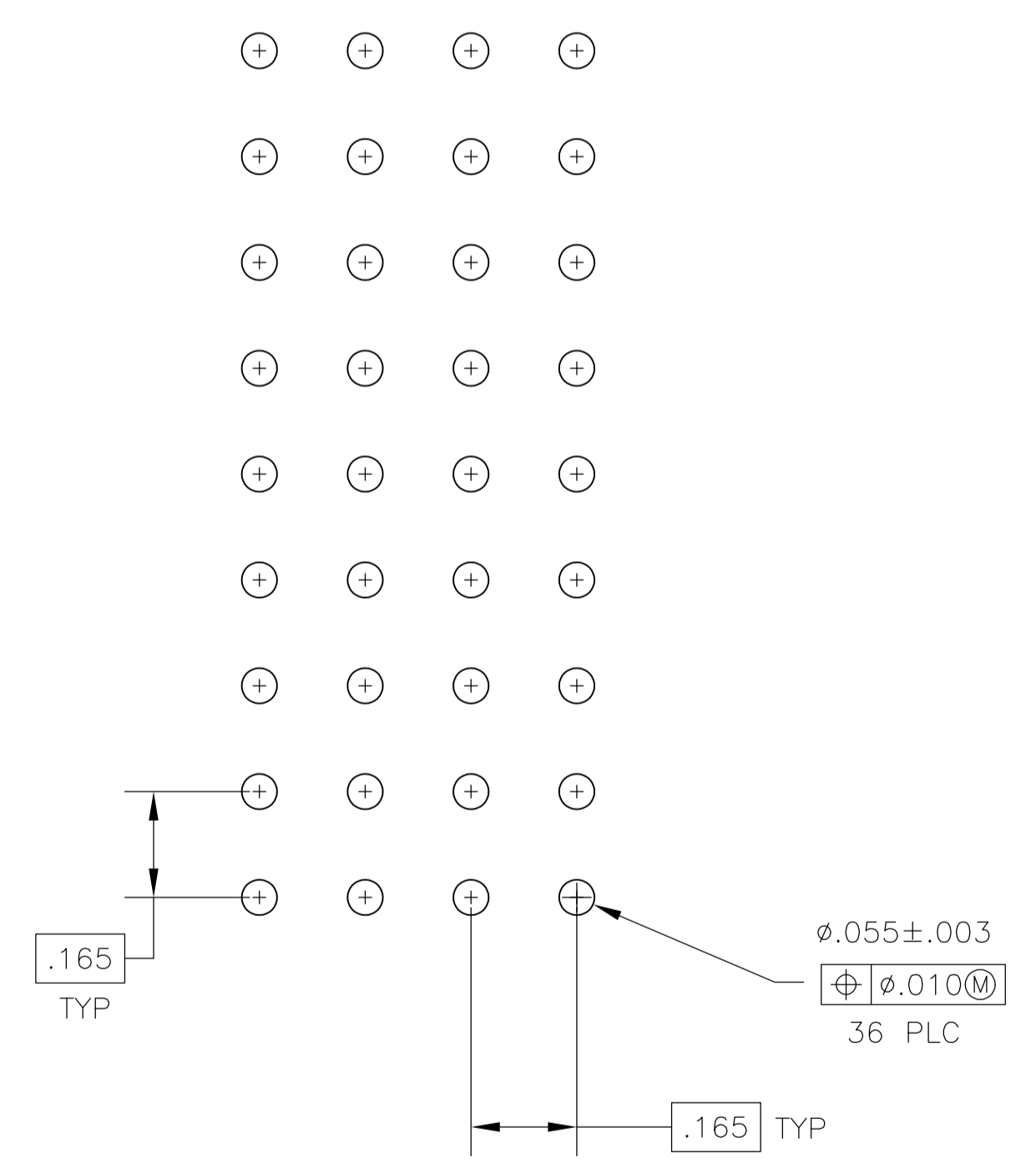


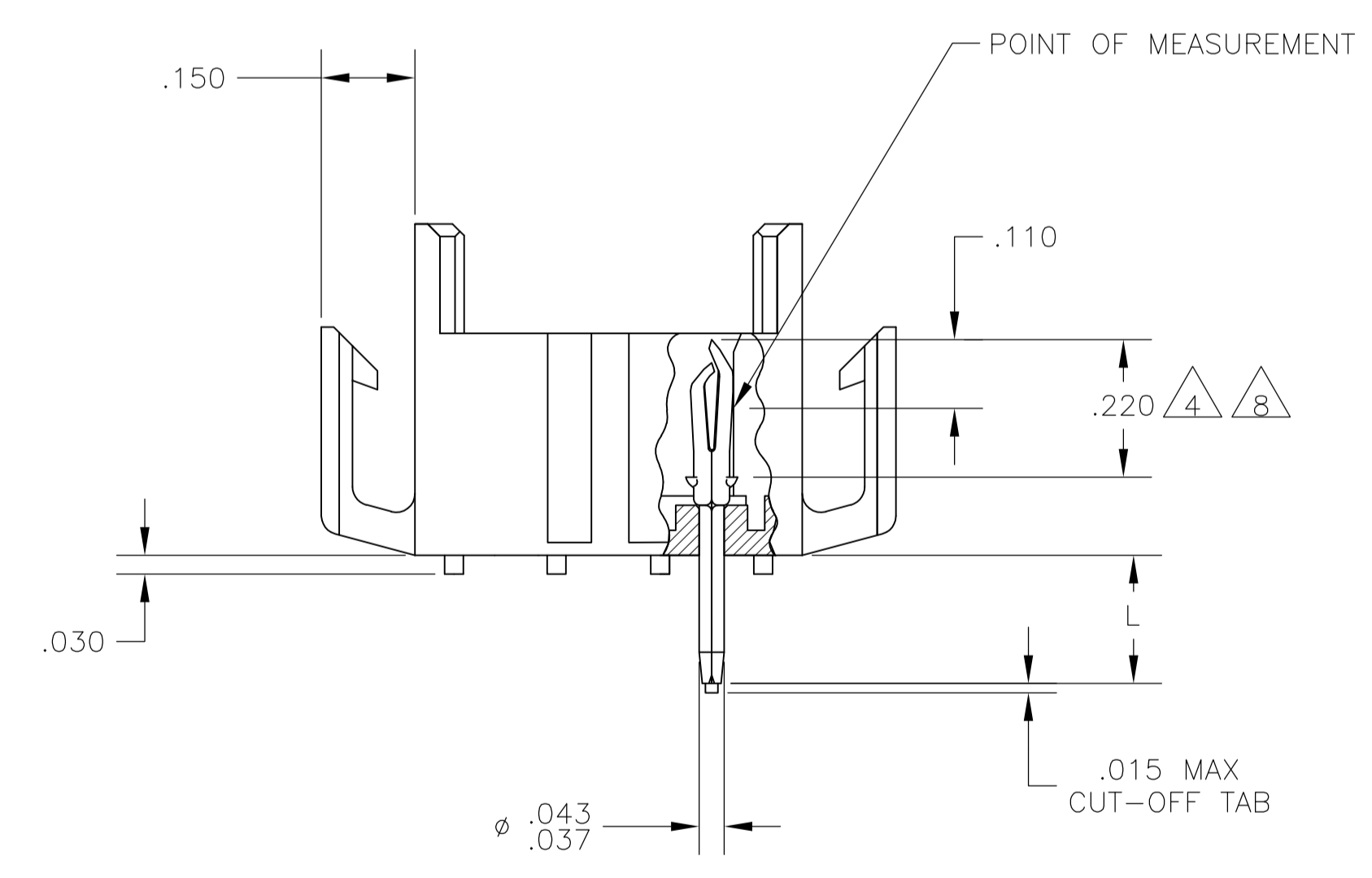
REVISIONS					
REV	DATE	DESCRIPTION	BY	CHK	APPV
U	03AUG2016	REVISED PER ECO-16-004940	NK	MZ	



- 1 FITS SOCKET HOUSING 640526.
- 2 ASSEMBLY CONFORMS TO AMP SOLDERABILITY SPEC. 109-11-3.
- 3 FOR USE WITH .063 THICK P.C. BOARD.
- 4 CONTACT IS PLATED OVERALL WITH .000050 NICKEL, THEN .000030 GOLD OVER CONTACT LENGTH INDICATED AND .000150 MATTE TIN-LEAD ON SOLDER TAIL END.
- 5 UL AND CSA LOGO LOCATED ON THIS SURFACE.
- 6 FOR USE WITH .120 THICK P.C. BOARD.
- 7 TRAY PACKAGED VERSION OF 640506-1. PACKAGED 54 PCS. PER TRAY AND 7 TRAYS PER BOX.
- 8 CONTACT IS PLATED OVERALL WITH .000050 NICKEL, THEN .000030 GOLD OVER CONTACT LENGTH INDICATED AND .000150 MATTE TIN ON SOLDER TAIL END.
- 9 OBSOLETE PARTS: OBSOLETE CIS STREAMLINING PER D.RENAUD/D.SINISI
- 10 PARTITION PACKED AND BOXED, 270 PCS PER CARTON.



RECOMMENDED P.C. BOARD LAYOUT



IN	MM	IN	MM	IN	MM
.015	0.38	.110	2.79	1.610	40.89
.010	0.25	.063	1.60	.785	19.94
.008	0.20	.055	1.40	.530	13.46
.005	0.13	.043	1.09	.220	5.59
.003	0.08	.037	0.94	.210	5.33
.000050	0.00127	.030	0.76	.165	4.19
.000030	0.00076	.020	0.51	.150	3.81

CONVERSION TABLE

REV	DATE	DESCRIPTION	BY	CHK	APPV	
10		OBSOLETE				
		.210	6	BRICK RED	GOLD 4	-1-640506-4
		.210	6	BRICK RED	GOLD 8	2-640506-4
		.150	3	BRICK RED	GOLD 8	2-640506-2
9		OBSOLETE				
		.150	3	BRICK RED	PRE-TIN	-1-640506-0
		.210	6	BRICK RED	GOLD 4	640506-4
		.210	6	BRICK RED	PRE-TIN	640506-3
		.150	3	BRICK RED	GOLD 4	640506-2
		.150	3	BRICK RED	PRE-TIN	640506-1

THIS DRAWING IS A CONTROLLED DOCUMENT.

DIMENSIONS: INCHES	TOLERANCES UNLESS OTHERWISE SPECIFIED:	0 PLC ± -	1 PLC ± -	2 PLC ± -	3 PLC ± .005	4 PLC ± -	ANGLES ± 0° 30'
MATERIAL: HOUSING FLAME RETARDANT NYLON, UL 94V-0; PIN, .008 PH BRZ.	FINISH: SEE FINISH	APPROVED: J. HUFFMAN 28 APR 98		APPROVED: R. SWING 28 APR 98		APPROVED: T. REDDICK 28 APR 98	
CUSTOMER DRAWING		SCALE: 4:1	SHEET: 1 of 1	REV: U	TE Connectivity HEADER ASSEMBLY, PIN, 36 POSITION MR.		

单击下面可查看定价，库存，交付和生命周期等信息

[>>TE Connectivity\(泰科\)](#)