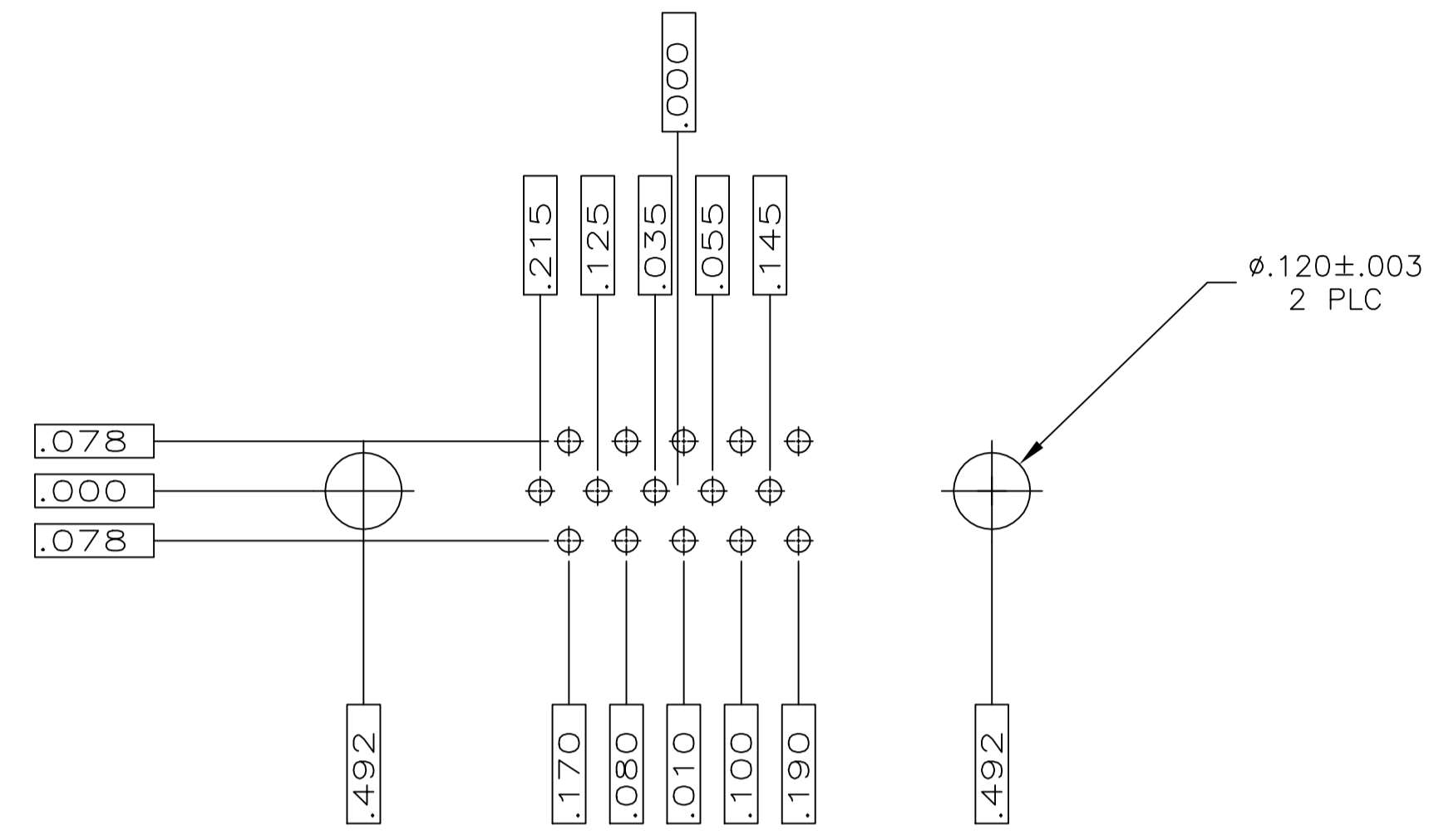
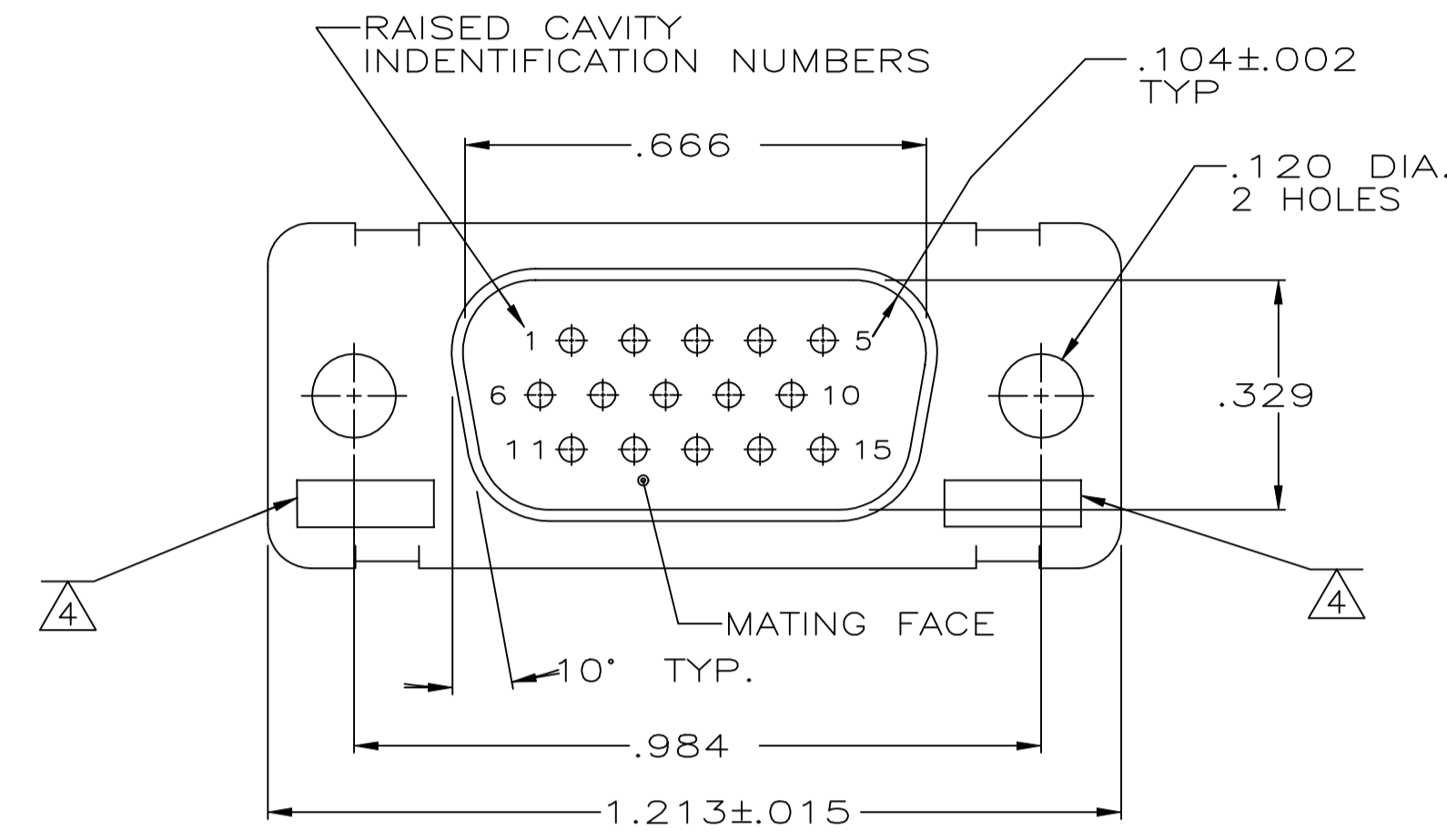
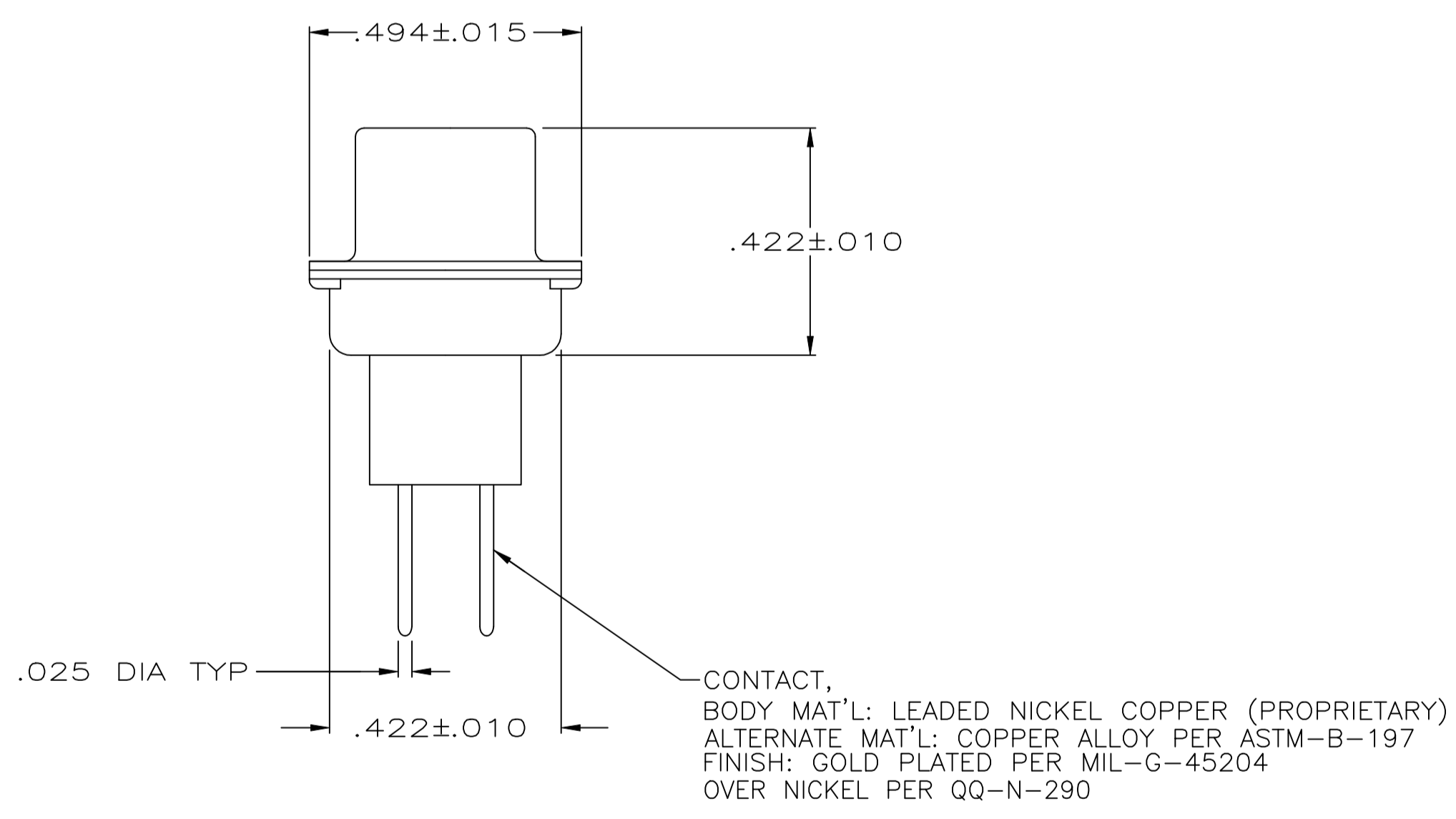
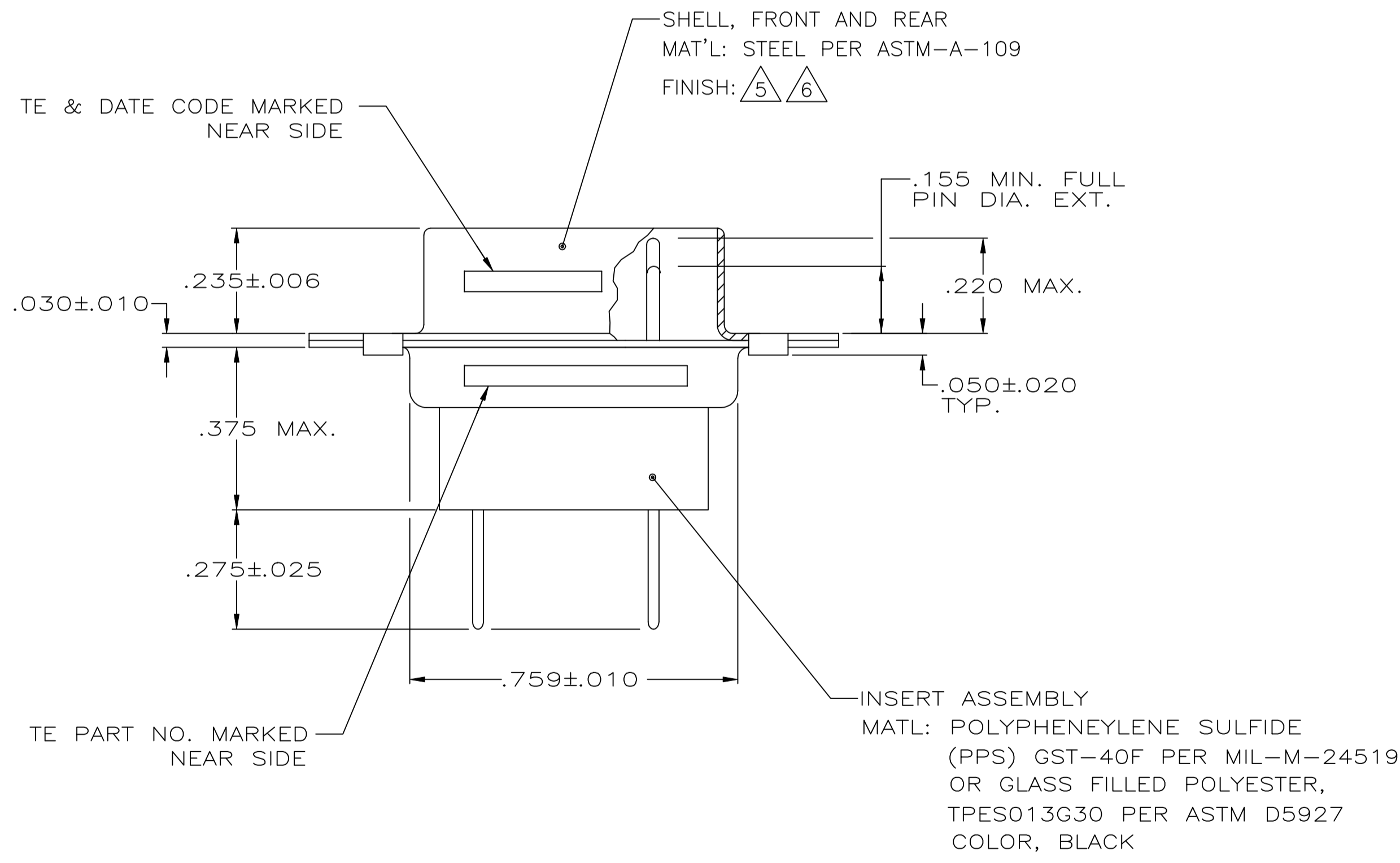


REVISIONS				
P	LR	DESCRIPTION	DATE	APVD
M		REV PER ECO-18-016761	14JAN2019	LN CT



RECOMMENDED P.C. BOARD LAYOUT



1. .040 DIA HOLE IS RECOMMENED FOR P.C. BOARD
2. CONNECTOR MATES WITH ANY TE 15 POSN RECEPTACLE
3. REPLACEMENT PIN TE# 207683-8
4. UL/CSA DESIGNATION STAMPED IN THIS AREA.
5. FINISH: CADMIUM PER QQ-P-416
6. FINISH: ZINC PLATED PER ASTM-B-633, .000200-.000400 THK WITH SUPPLEMENTARY CHROMATE (Cr3+)

PLATED PER 6	5-208866-1
PLATED PER 5	208866-1
DESCRIPTION	PART NO.

THIS DRAWING IS A CONTROLLED DOCUMENT. DWG 24JUN2015 RAGHAV SATISH ORW 24JUN2015 CHARLES THOMAS APVD 24JUN2015 CHARLES THOMAS NAME

TE Connectivity Ltd. AMPLIMITE 15 POSN PLUG ASSY

SIZE	CAGE CODE	DRAWING NO	RESTRICTED TO
A1	00779	208866	

CUSTOMER DRAWING SCALE 4:1 SHEET 1 OF 1 REV M

单击下面可查看定价，库存，交付和生命周期等信息

[>>TE Connectivity\(泰科\)](#)