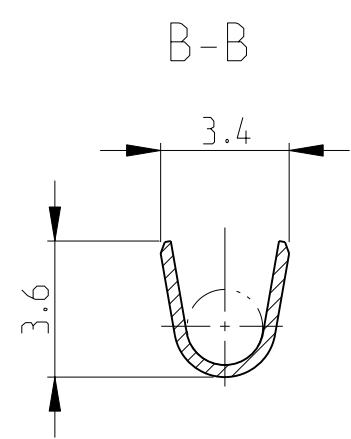
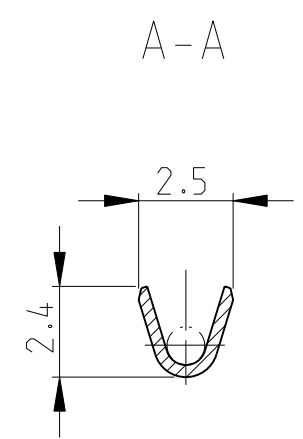
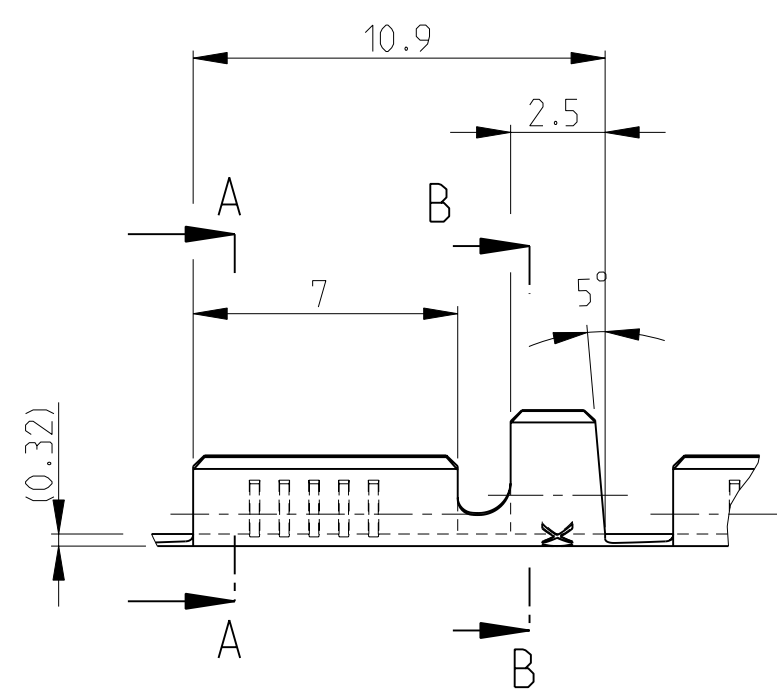


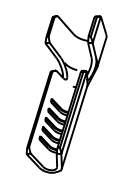
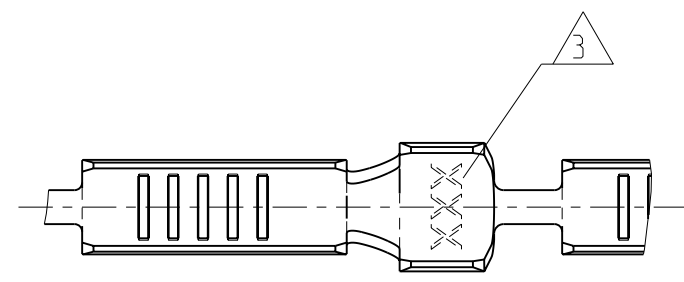
THIS DRAWING IS UNPUBLISHED. RELEASED FOR PUBLICATION 2009
 © COPYRIGHT 2009 BY TYCO ELECTRONICS CORPORATION. ALL RIGHTS RESERVED.

LOC	DIST	REVISIONS				
P	LTR	DESCRIPTION	DATE	DWN	APVD	
A1	-	G	NEW CAD DRAWING CREATED	12FEB2009	Abr	Goep
		G1	REVISED PER ECO-09-026495	14DEC09	KK	AEG

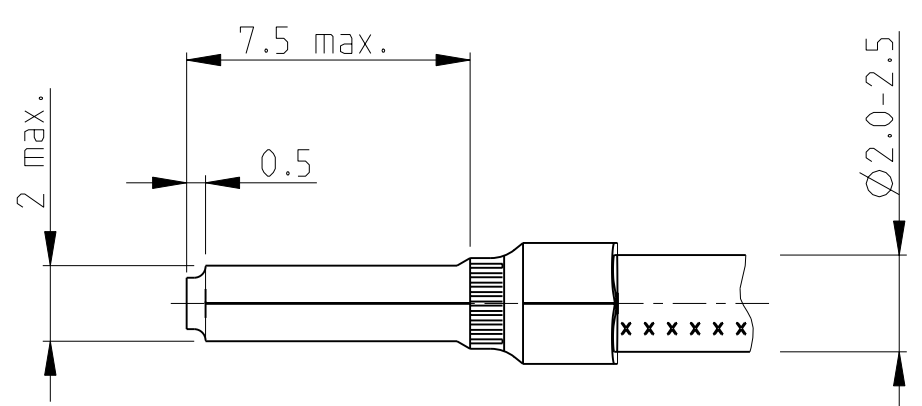


NOTES
Bemerkungen

- 1 TO REELED WITH PAPER
Streifen mit Papierzwischenlage gewickelt
- 2 SPLICE FREE VERSION
Streifen ohne Unterbrechung
- 3 COMPANY TRADEMARK
Firmen-Logo
- 4 OBSOLETE PARTS: OBSOLETE CIS STREAMLINING
PER D.RENAUD/D.SINISI



2:1



4 OBSOLETE	PRE TIN / vorverzinnt	CuZn30	925667-6	2	G
	PLAIN / blank	CuZn30	925667-5	2	G
	PRE TIN / vorverzinnt	CuZn30	925667-2		G
	PLAIN / blank	CuZn30	925667-1		G
	FINISH	MATERIAL	PART NO.	REV.	

DIMENSIONS:		TOLERANCES UNLESS OTHERWISE SPECIFIED:		DWN		CHK		APVD		NAME	
mm		±0.2		12FEB2009		13FEB2009		-		Tyco Electronics Corporation AMP GmbH 64625 Bensheim (Germany)	
0 PLC ±		±		Abraham, G.		GoeppeL, C.		-		AUTOMACH. WIRE Ader Endhuelse	
1 PLC ±		±		-		-		-		-	
2 PLC ±		±		-		-		-		-	
3 PLC ±		±		-		-		-		-	
4 PLC ±		±		-		-		-		-	
ANGLES ±1°		±1°		-		-		-		-	
MATERIAL -		FINISH -		WEIGHT 0.16 g		SIZE A3		CAGE CODE 00779		DRAWING NO. 925667	
INSUL. RANGE Ø2.0-2.5 mm		WIRE RANGE 0.3-0.8 mm ²		CUSTOMER DRAWING		SCALE 5:1		SHEET 1 OF 1		REV G1	

单击下面可查看定价，库存，交付和生命周期等信息

[>>TE Connectivity\(泰科\)](#)