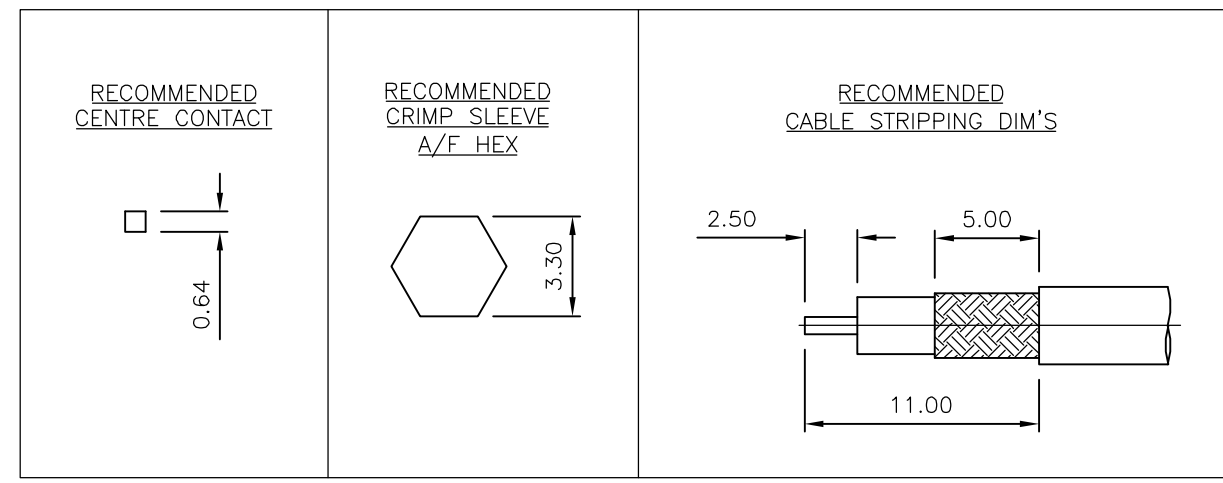
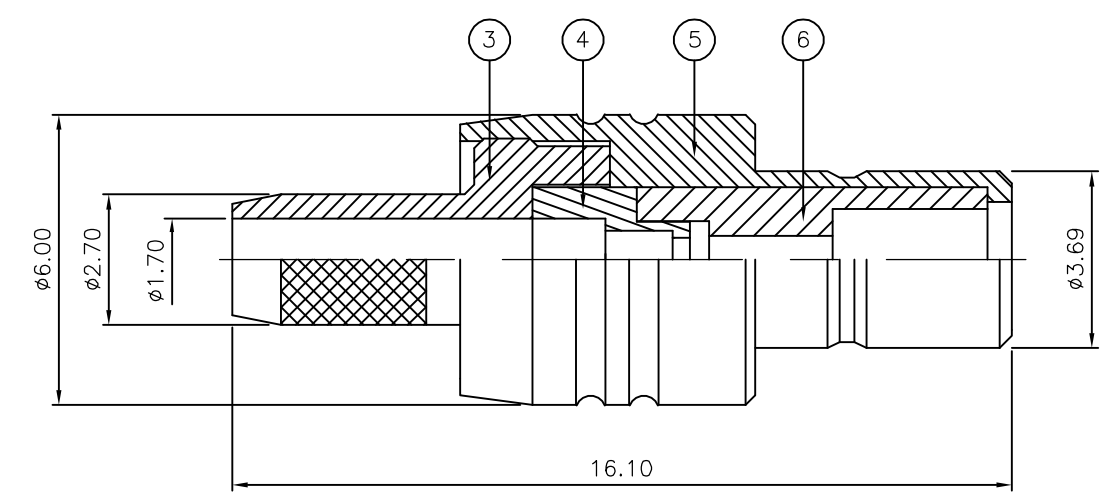
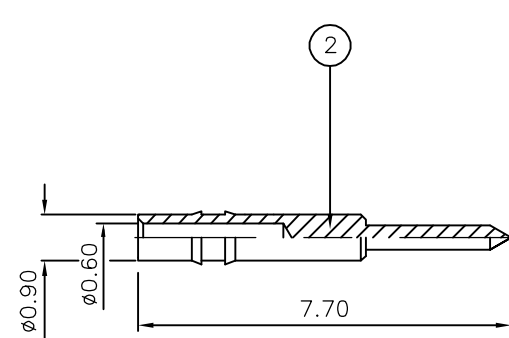
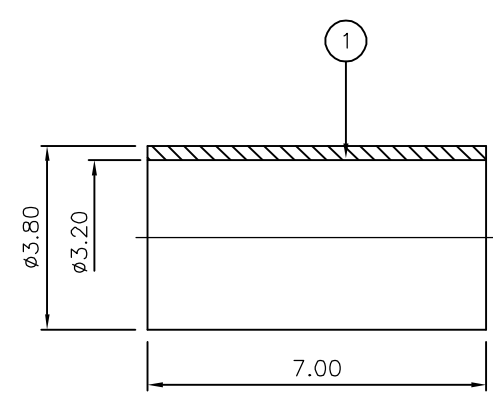


THIS DRAWING IS UNPUBLISHED. RELEASED FOR PUBLICATION JAN ,2006.
 © COPYRIGHT 2006 BY TYCO ELECTRONICS CORPORATION. ALL RIGHTS RESERVED.

LOC	DIST	REVISIONS			
P	LTR	DESCRIPTION	DATE	DWN	APVD
E	B	C	ECR-05-017969	10JAN06	JMS FWK

NOTES:

- ① PACK IN ACCORDANCE WITH AMP SPEC 107-3275
- ② 100 TRAY PACK IN ACCORDANCE WITH AMP SPEC 107-3275
- ③ Au PLATING
- 4 HAND TOOL : 9-1478240-0
- 5 DIE SET : 9-1478248-0
- 6 ELECTRICAL CHARACTERISTICS
 FREQUENCY RANGE: DC - 4 GHz
 NOMINAL IMPEDANCE: 50 Ohm
 INSULATION RESISTANCE: 1000 MOhm
 WORKING VOLTAGE: 250 Volts RMS at Sea Level
 DIELECTRIC WITHSTAND VOLTAGE: 750 Volts RMS Max
 CONTACT RESISTANCE:
 CENTRE CONTACT: 6.00 mOhm Max
 OUTER CONTACT: 1.00 mOhm Max
 VSWR @ 3GHz: 1.35:1
 INSERTION LOSS dB @ x 1.5 GHz: 0.30 Max
- 7 MECHANICAL CHARACTERISTICS
 COUPLING NUT RETENTION FORCE: N/A
 CABLE RETENTION FORCE: 85N Min
 RG174A/U, 188A/U, 316/U, URM95: 500 Cycles Min
 DURABILITY:
- 8 ENVIRONMENTAL CHARACTERISTICS
 OPERATING TEMPERATURE: -65 to +165 DegC



THIS DRAWING IS A CONTROLLED DOCUMENT.

DIMENSIONS:	TOLERANCES UNLESS OTHERWISE SPECIFIED:	
mm		
0 PLC		± -
1 PLC		± -
2 PLC		± -
3 PLC	± -	
4 PLC	± -	
ANGLES	± -	
MATERIAL	FINISH	
SEE TABLE	-	

DWN	J.SANDWELL	10JAN06
CHK	S.PARLOW	10JAN06
APVD	F.WHEELER-KING	10JAN06
PRODUCT SPEC	-	-
APPLICATION SPEC	411-3247	-
WEIGHT	-	-
CUSTOMER DRAWING		

QTY	QTY PER ASSY	MATERIAL	DESCRIPTION	ITEM
1	1	PTFE	INSULATION	6
1	1	BRASS	BODY	5
1	1	PE	INSULATION	4
1	1	BRASS	CHASSIS	3
1	1	BRASS	CONTACT	2
1	1	BRASS	FERRULE	1
6--0	1--0	MATERIAL	DESCRIPTION	ITEM

tyco Electronics Tyco Electronics Corporation
Bideford EX39 4HE

NAME: SMB STRAIGHT JACK CRIMP 50 OHM
RG174A/U, 188A/U, 316/U, URM95, KX3B, KX22A

SIZE: A3 CAGE CODE: 00779 DRAWING NO: C-1337477 RESTRICTED TO: -

SCALE: NTS SHEET: 1 OF 1 REV: C

单击下面可查看定价，库存，交付和生命周期等信息

[>>TE Connectivity\(泰科\)](#)