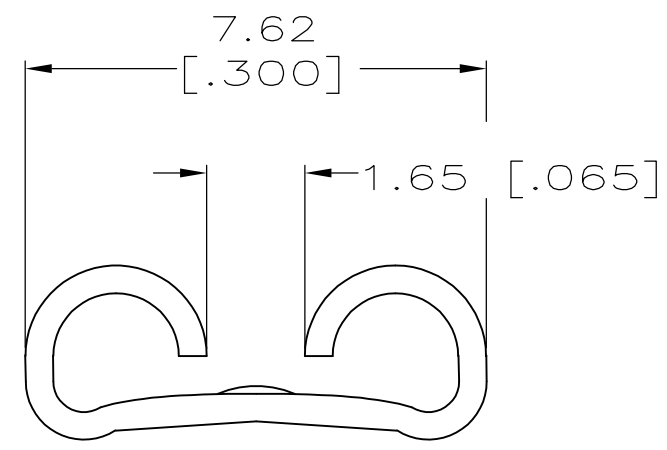
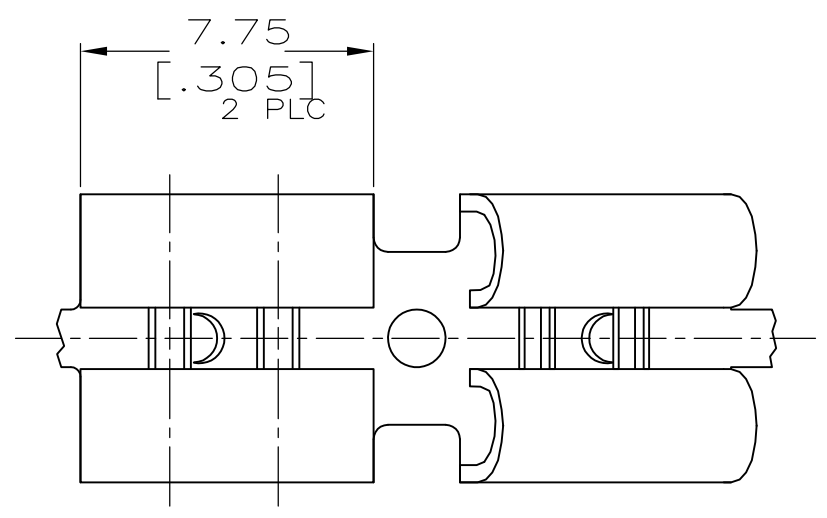


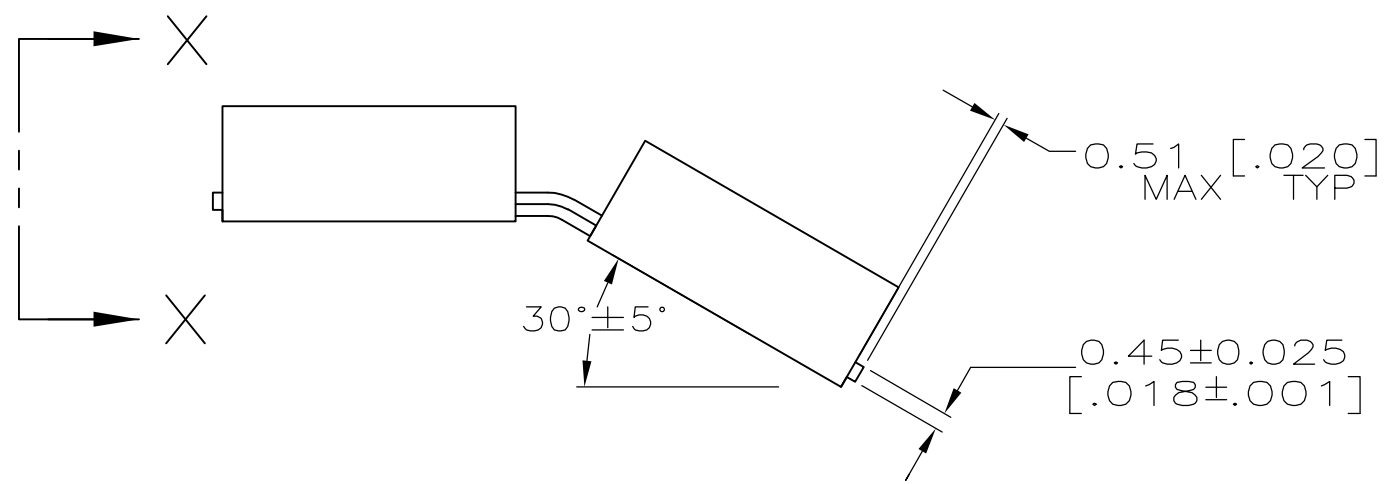
THIS DRAWING IS UNPUBLISHED. RELEASED FOR PUBLICATION
 © COPYRIGHT - By - ALL RIGHTS RESERVED.

LOC	DIST	REVISIONS			
P	LTR	DESCRIPTION	DATE	DWN	APVD
AF	50	F	REVISED PER ECR-12-013518	23NOV2012	KH PD

- 1 SUPPLIED IN LOOSE PIECE
- 2 MATING TAB THK TO BE 0.81 ± 0.025 [.032 ± .001]



VIEW X-X
SCALE 8:1



1217283-1
PART NO.

THIS DRAWING IS A CONTROLLED DOCUMENT.		DWN	JR RUTH	17DEC99	TE Connectivity RECEPTACLE, FASTON™ ADAPTER, 6.35 [.250] SERIES		
DIMENSIONS: mm [INCHES]		CHK	MS FEHER	17DEC99			
TOLERANCES UNLESS OTHERWISE SPECIFIED:		APVD	S HEADER	17DEC99			
0 PLC ± - 1 PLC ± - 2 PLC ± 0.25 [.010] 3 PLC ± - 4 PLC ± - ANGLES ± -		PRODUCT SPEC		NAME			
MATERIAL	BRASS	FINISH	0.002032 [.000080] MIN TIN		APPLICATION SPEC		
		WEIGHT	-		SIZE		
		CUSTOMER DRAWING			SCALE	5:1	
					SHEET	1 OF 1	
					RESTRICTED TO	REV	F

单击下面可查看定价，库存，交付和生命周期等信息

[>>TE Connectivity\(泰科\)](#)