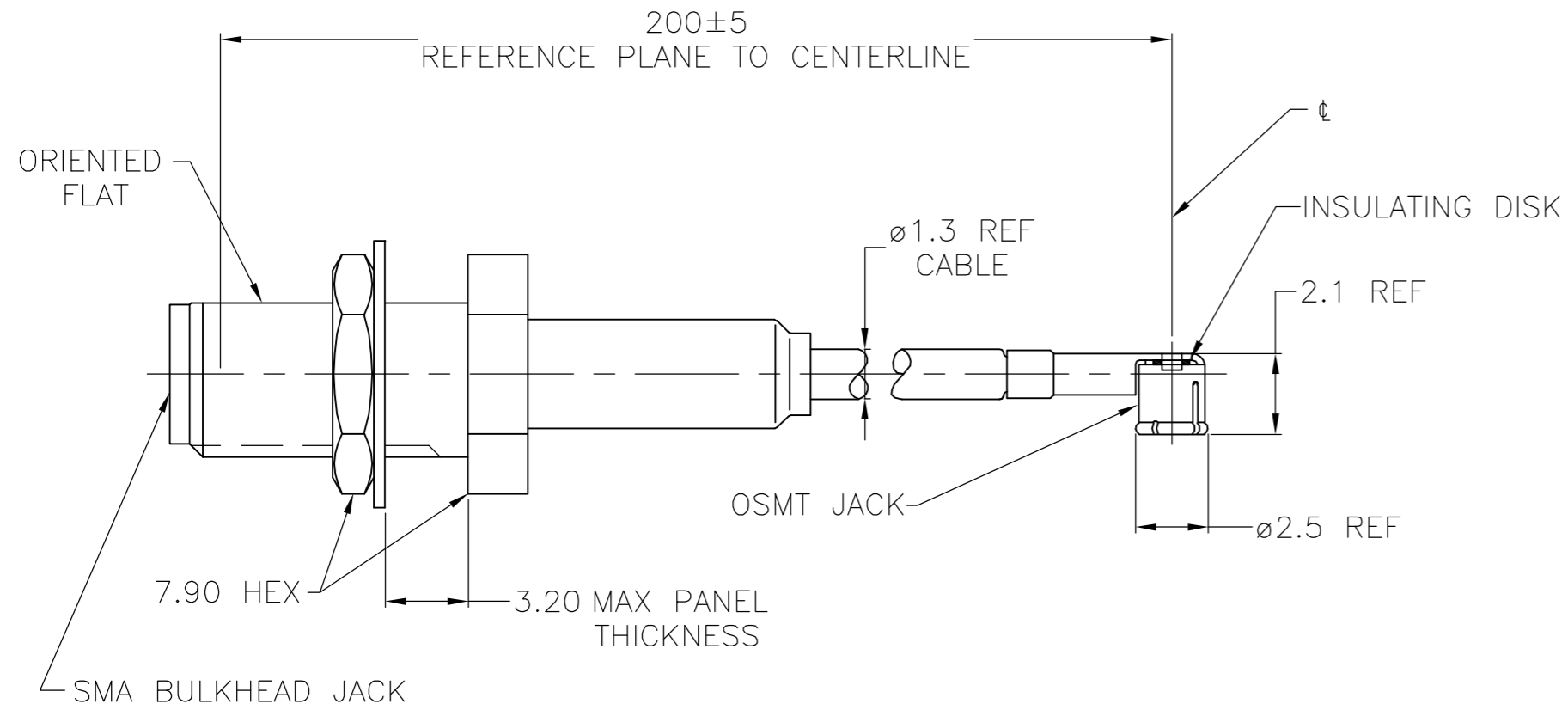
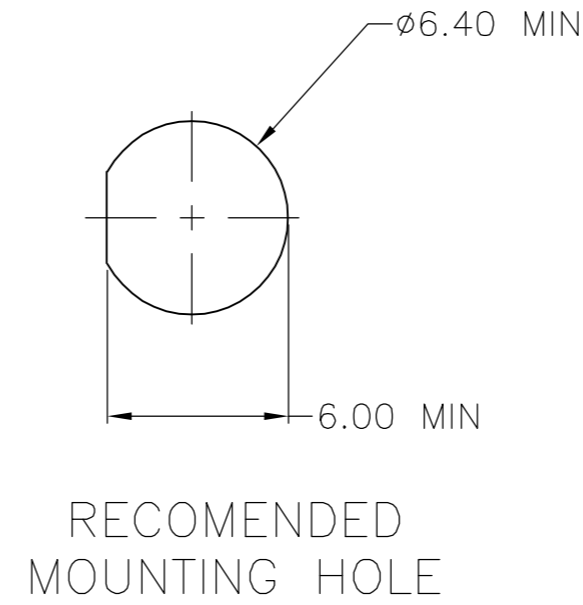


THIS DRAWING IS UNPUBLISHED. RELEASED FOR PUBLICATION
 © COPYRIGHT BY TYCO ELECTRONICS CORPORATION. ALL RIGHTS RESERVED.

LOC	DIST	REVISIONS			
P	LTR	DESCRIPTION	DATE	DWN	APVD
AJ	17	B	REVISED PER EC OS14-0098-05	11MAY2006	KS KW



1. PERFORMANCE SHOWN FOR SSMT CONNECTOR AND CABLE ONLY.
 FOR CABLE ASSEMBLY DATA CONSULT FACTORY.



COMPONENT	MATERIAL	FINISH
SMA CONNECTOR		
HOUSING & COUPLING NUT	STAINLESS STEEL	PASSIVATE
CENTER CONTACT	BERYLLIUM COPPER	GOLD PLATE
INNER CONTACT	BERYLLIUM COPPER	GOLD PLATE
DIELECTRIC	TETRAFLUOROETHYLENE (TFE)	N/A
RETAINING RING	BERYLLIUM COPPER	N/A
GASKET	SILICONE RUBBER	N/A
FERRULE	COPPER OR BRASS	NICKEL PLATE
SHRINK TUBING	HEAT SHRINKABLE POLYOLEFIN COMPOUND	N/A
SSMT CONNECTOR		
OUTER CONTACT	BERYLLIUM COPPER	GOLD PLATE OVER NICKEL PLATE
CENTER CONTACT	BERYLLIUM COPPER	GOLD PLATE OVER NICKEL PLATE
DIELECTRIC	POLYPROPYLENE, GF	N/A
CABLE		
JACKET	FLUORINATED ETHYLENE PROPYLENE (FEP)	N/A
SHIELD	COPPER WIRE, 44 AWG	SILVER PLATED
DIELECTRIC	POLYTETRAFLUOROETHYLENE (PTFE)	N/A
CENTER CONDUCTOR	COPPER CLAD STEEL, 30 AWG	SILVER PLATED
INSULATING DISK	POLYESTER	N/A

1064553-1
 PART NUMBER

ELECTRICAL	
FREQUENCY	DC - 6 GHz
NOMINAL IMPEDENCE	50 OHMS
VOLTAGE RATING	250 VOLTS (VRMS MAX) @ SEA LEVEL
VSWR (MATED CONNECTORS ONLY)	1.20:1 MAX @ 2 GHz 1.40:1 MAX @ 6 GHz
INSULATION RESISTANCE	1,000 MEGOHMS MIN @ 250 VDC
DIELECTRIC WITHSTANDING VOLTAGE	500 VOLTS (VRMS MIN) @ SEA LEVEL
MECHANICAL	
CONNECTOR DURABILITY	100 MATING CYCLES
ENVIRONMENTAL	
TEMPERATURE RATING	-40°C(-40°F) TO +125°C(257°F)

PRODUCT SPEC

THIS DRAWING IS A CONTROLLED DOCUMENT.		DWN DK SCHRUM 11MAY2006	tyco Tyco Electronics Corporation	
		CHK KE WEIDNER 11MAY2006	Electronics Harrisburg, PA 17105-3608	
		APVD KE WEIDNER 11MAY2006	NAME	
		PRODUCT SPEC	SSMT RIGHT ANGLE JACK TO SMA	
		APPLICATION SPEC	BULKHEAD JACK INTERSERIES CABLE ASSEMBLY	
		WEIGHT	SIZE A2	RESTRICTED TO
		CUSTOMER DRAWING	CAGE CODE 00779	
		SCALE 4:1	DRAWING NO C=1064553	
		SHEET 1 of 1	REV B	

单击下面可查看定价，库存，交付和生命周期等信息

[>>TE Connectivity\(泰科\)](#)