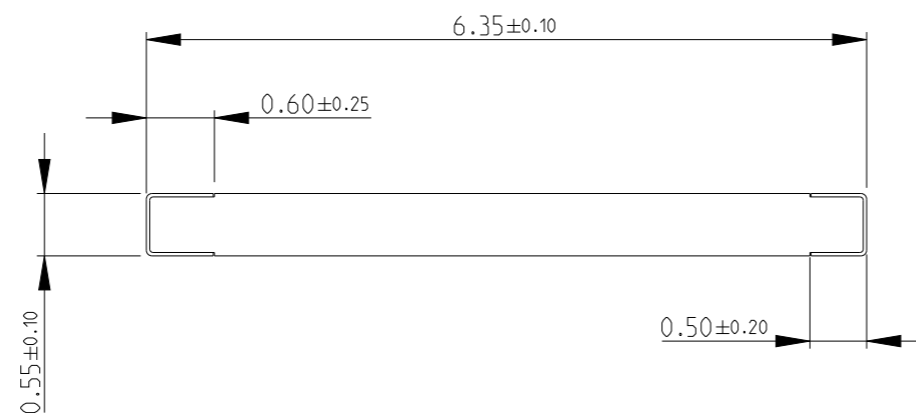


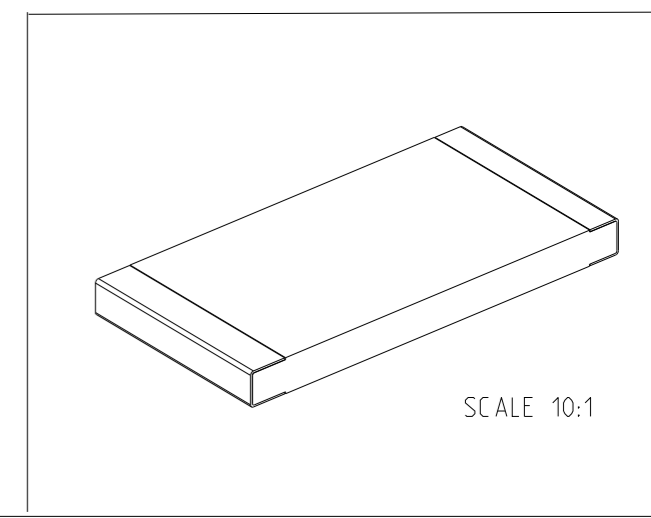
REVISIONS

P	LTR	DESCRIPTION	DATE	DWN	APVD
	A	NEW DRAWING	13APR2018	GCM	AP
	BA	SCHEDULE UPDATE	16AUG2022	LG	AP

FOR FURTHER INFORMATION SEE DATA SHEET FOR CRGP SERIES SMD PULSE THICK FILM CHIP RESISTORS



RoHS Compliant




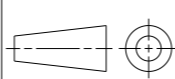
SCALE 10:1

THIS DRAWING IS A CONTROLLED DOCUMENT.		DWN GANESH C M 13APR2018			
DIMENSIONS: mm		CHK ALLAN.P 13APR2018			
TOLERANCES UNLESS OTHERWISE SPECIFIED:		APVD ALLAN.P 13APR2018	NAME SMD PRECISION PULSE THICK FILM CHIP RESISTOR TYPE CRGP 2512 SERIES		
		PRODUCT SPEC	RESTRICTED TO		
MATERIAL		APPLICATION SPEC	SIZE A3	CAGE CODE 00779	DRAWING NO G-2176331
FINISH		WEIGHT	SCALE 15:1		SHEET 1 OF 3
		CUSTOMER DRAWING	REV BA		

REVISIONS

P	LTR	DESCRIPTION	DATE	DWN	APVD
	-	SEE SHEET 1	-	-	-

SCHEDULE			
TCPN	CATALOGUE NUMBER	PART DESCRIPTION	PART STATUS
2176331-1	CRGP2512F10R	CRGP 2512 10R 1%	PRODUCTION
2176331-2	CRGP2512F12R	CRGP 2512 12R 1%	PRODUCTION
2176331-3	CRGP2512F15R	CRGP 2512 15R 1%	PRODUCTION
2176331-4	CRGP2512F18R	CRGP 2512 18R 1%	PRODUCTION
2176331-5	CRGP2512F22R	CRGP 2512 22R 1%	PRODUCTION
2176331-6	CRGP2512F27R	CRGP 2512 27R 1%	PRODUCTION
2176331-7	CRGP2512F33R	CRGP 2512 33R 1%	PRODUCTION
2176331-8	CRGP2512F39R	CRGP 2512 39R 1%	PRODUCTION
2176331-9	CRGP2512F47R	CRGP 2512 47R 1%	PRODUCTION
1-2176331-0	CRGP2512F56R	CRGP 2512 56R 1%	PRODUCTION
1-2176331-1	CRGP2512F68R	CRGP 2512 68R 1%	PRODUCTION
1-2176331-2	CRGP2512F82R	CRGP 2512 82R 1%	PRODUCTION
1-2176331-3	CRGP2512F100R	CRGP 2512 100R 1%	PRODUCTION
1-2176331-4	CRGP2512F120R	CRGP 2512 120R 1%	PRODUCTION
1-2176331-5	CRGP2512F150R	CRGP 2512 150R 1%	PRODUCTION
1-2176331-6	CRGP2512F180R	CRGP 2512 180R 1%	PRODUCTION
1-2176331-7	CRGP2512F220R	CRGP 2512 220R 1%	PRODUCTION
1-2176331-8	CRGP2512F270R	CRGP 2512 270R 1%	PRODUCTION
1-2176331-9	CRGP2512F330R	CRGP 2512 330R 1%	PRODUCTION
2-2176331-0	CRGP2512F390R	CRGP 2512 390R 1%	PRODUCTION
2-2176331-1	CRGP2512F470R	CRGP 2512 470R 1%	PRODUCTION
2-2176331-2	CRGP2512F560R	CRGP 2512 560R 1%	PRODUCTION
2-2176331-3	CRGP2512F680R	CRGP 2512 680R 1%	PRODUCTION
2-2176331-4	CRGP2512F820R	CRGP 2512 820R 1%	PRODUCTION
2-2176331-5	CRGP2512F1K0	CRGP 2512 1K0 1%	PRODUCTION
2-2176331-6	CRGP2512F1K2	CRGP 2512 1K2 1%	PRODUCTION
2-2176331-7	CRGP2512F1K5	CRGP 2512 1K5 1%	PRODUCTION
2-2176331-8	CRGP2512F1K8	CRGP 2512 1K8 1%	PRODUCTION
2-2176331-9	CRGP2512F2K2	CRGP 2512 2K2 1%	PRODUCTION
3-2176331-0	CRGP2512F2K7	CRGP 2512 2K7 1%	PRODUCTION
3-2176331-1	CRGP2512F3K3	CRGP 2512 3K3 1%	PRODUCTION
3-2176331-2	CRGP2512F3K9	CRGP 2512 3K9 1%	PRODUCTION
3-2176331-3	CRGP2512F4K7	CRGP 2512 4K7 1%	PRODUCTION

THIS DRAWING IS A CONTROLLED DOCUMENT.		DWN GANESH C M 13APR2018	 TE Connectivity		
DIMENSIONS: mm		CHK ALLAN.P 13APR2018			
TOLERANCES UNLESS OTHERWISE SPECIFIED:		APVD ALLAN.P 13APR2018	NAME SMD PRECISION PULSE THICK FILM CHIP RESISTOR TYPE CRGP 2512 SERIES		
		PRODUCT SPEC	RESTRICTED TO		
MATERIAL		APPLICATION SPEC	SIZE A3	CAGE CODE 00779	DRAWING NO C=2176331
FINISH		WEIGHT	SCALE 15:1		
		CUSTOMER DRAWING	SHEET 2 OF 3		
			REV BA		

REVISIONS

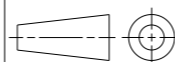
P	LTR	DESCRIPTION	DATE	DWN	APVD
	-	SEE SHEET 1	-	-	-

SCHEDULE

TCPN	CATALOGUE NUMBER	PART DESCRIPTION	PART STATUS
3-2176331-4	CRGP2512F5K6	CRGP 2512 5K6 1%	PRODUCTION
3-2176331-5	CRGP2512F6K8	CRGP 2512 6K8 1%	PRODUCTION
3-2176331-6	CRGP2512F8K2	CRGP 2512 8K2 1%	PRODUCTION
3-2176331-7	CRGP2512F10K	CRGP 2512 10K 1%	PRODUCTION
3-2176331-8	CRGP2512F12K	CRGP 2512 12K 1%	PRODUCTION
3-2176331-9	CRGP2512F15K	CRGP 2512 15K 1%	PRODUCTION
4-2176331-0	CRGP2512F18K	CRGP 2512 18K 1%	PRODUCTION
4-2176331-1	CRGP2512F22K	CRGP 2512 22K 1%	PRODUCTION
4-2176331-2	CRGP2512F27K	CRGP 2512 27K 1%	PRODUCTION
4-2176331-3	CRGP2512F33K	CRGP 2512 33K 1%	PRODUCTION
4-2176331-4	CRGP2512F39K	CRGP 2512 39K 1%	PRODUCTION
4-2176331-5	CRGP2512F47K	CRGP 2512 47K 1%	PRODUCTION
4-2176331-6	CRGP2512F56K	CRGP 2512 56K 1%	PRODUCTION
4-2176331-7	CRGP2512F68K	CRGP 2512 68K 1%	PRODUCTION
4-2176331-8	CRGP2512F82K	CRGP 2512 82K 1%	PRODUCTION
4-2176331-9	CRGP2512F100K	CRGP 2512 100K 1%	PRODUCTION
5-2176331-0	CRGP2512F120K	CRGP 2512 120K 1%	PRODUCTION
5-2176331-1	CRGP2512F150K	CRGP 2512 150K 1%	PRODUCTION
5-2176331-2	CRGP2512F180K	CRGP 2512 180K 1%	PRODUCTION
5-2176331-3	CRGP2512F220K	CRGP 2512 220K 1%	PRODUCTION
5-2176331-4	CRGP2512F270K	CRGP 2512 270K 1%	PRODUCTION
5-2176331-5	CRGP2512F330K	CRGP 2512 330K 1%	PRODUCTION
5-2176331-6	CRGP2512F390K	CRGP 2512 390K 1%	PRODUCTION
5-2176331-7	CRGP2512F470K	CRGP 2512 470K 1%	PRODUCTION
5-2176331-8	CRGP2512F560K	CRGP 2512 560K 1%	PRODUCTION
5-2176331-9	CRGP2512F680K	CRGP 2512 680K 1%	PRODUCTION
6-2176331-0	CRGP2512F820K	CRGP 2512 820K 1%	PRODUCTION
6-2176331-1	CRGP2512F1M0	CRGP 2512 1M0 1%	PRODUCTION
6-2176331-2	CRGP2512F1R0	CRGP 2512 1R0 1%	PRODUCTION
6-2176331-3	CRGP2512F2K0	CRGP 2512 2K0 1%	PRODUCTION
6-2176331-4	CRGP2512F4K2	CRGP 2512 4K2 1%	PRODUCTION
6-2176331-5	CRGP2512F2R2	CRGP 2512 2R2 1%	PRODUCTION
6-2176331-6	CRGP2512F20R	CRGP 2512 20R 1%	PRODUCTION

THIS DRAWING IS A CONTROLLED DOCUMENT.

DIMENSIONS:  
mm



MATERIAL

TOLERANCES UNLESS OTHERWISE SPECIFIED:

- 0 PLC ±0.5
- 1 PLC ±0.2
- 2 PLC ±0.1
- 3 PLC ±
- 4 PLC ±
- ANGLES ±5°
- FINISH

DWN 13APR2018

CHK 13APR2018

APVD 13APR2018

ALLAN.P

ALLAN.P

PRODUCT SPEC

APPLICATION SPEC

WEIGHT

CUSTOMER DRAWING



TE Connectivity

NAME  
SMD PRECISION PULSE THICK FILM CHIP RESISTOR TYPE CRGP 2512 SERIES

SIZE CAGE CODE DRAWING NO RESTRICTED TO

A3 00779 C=2176331

SCALE 15:1 SHEET 3 OF 3 REV BA

单击下面可查看定价，库存，交付和生命周期等信息

[>>TE Connectivity\(泰科\)](#)