

THIS DRAWING IS UNPUBLISHED.

RELEASED FOR PUBLICATION APR, 2005.

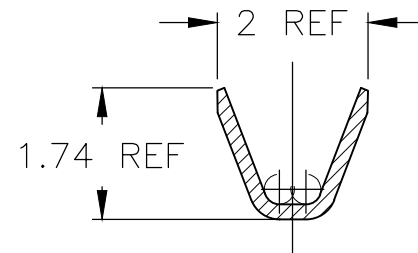
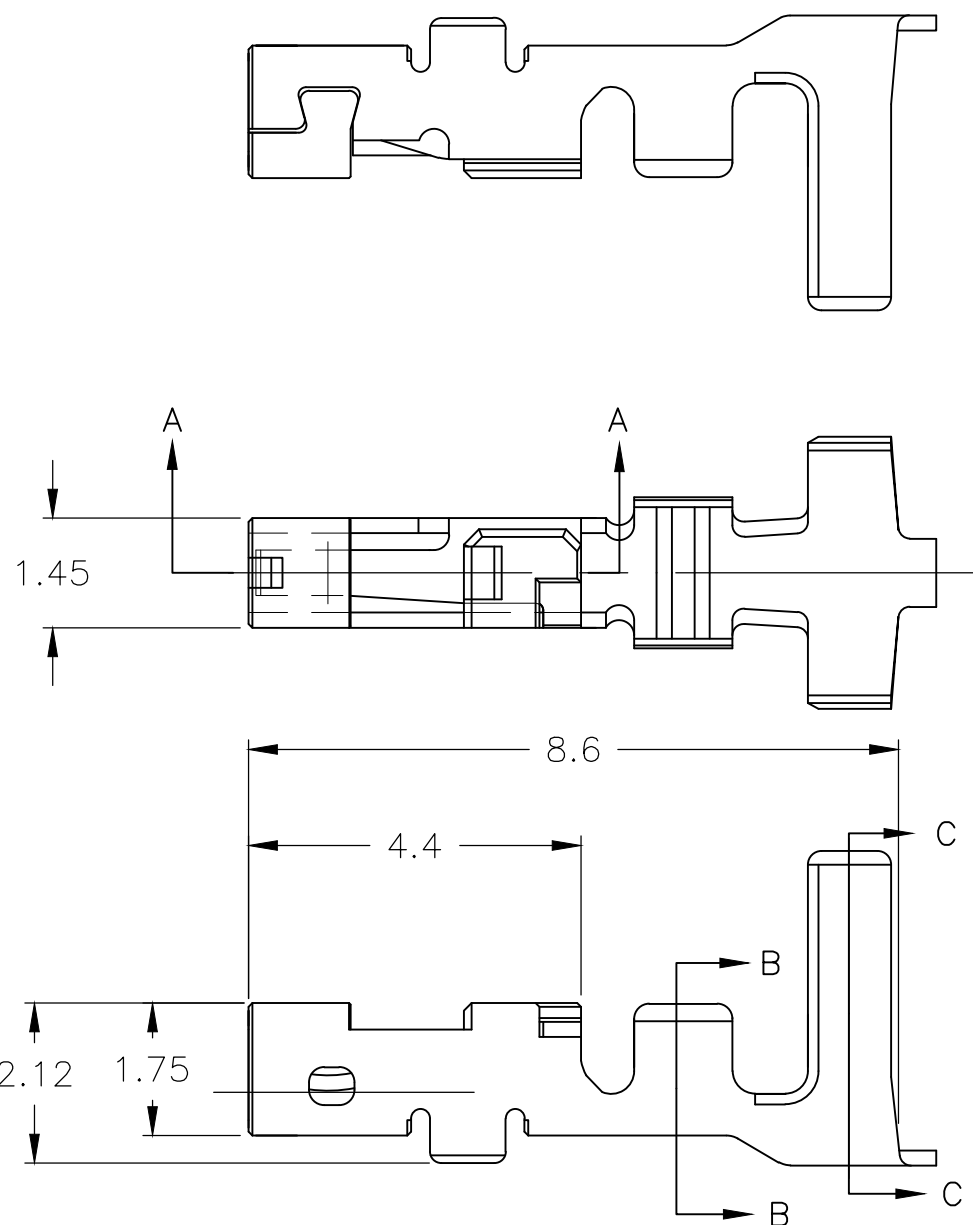
REVISIONS

変更

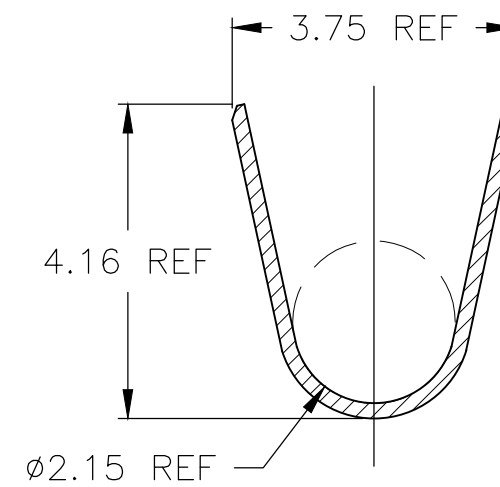
ALL RIGHTS RESERVED.

© COPYRIGHT 2005 Tyco Electronics JAPAN G.K.

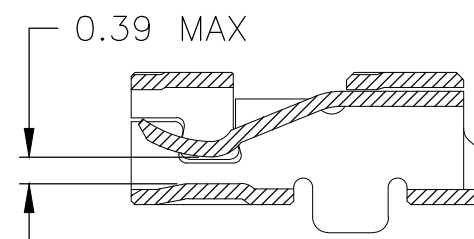
P	LTR	DESCRIPTION	DATE	DWN	APVD
	E3	REVISED PER ECR-20-100273	11AUG2020	SC	D.Z



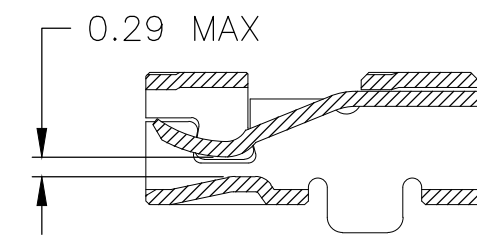
B-B



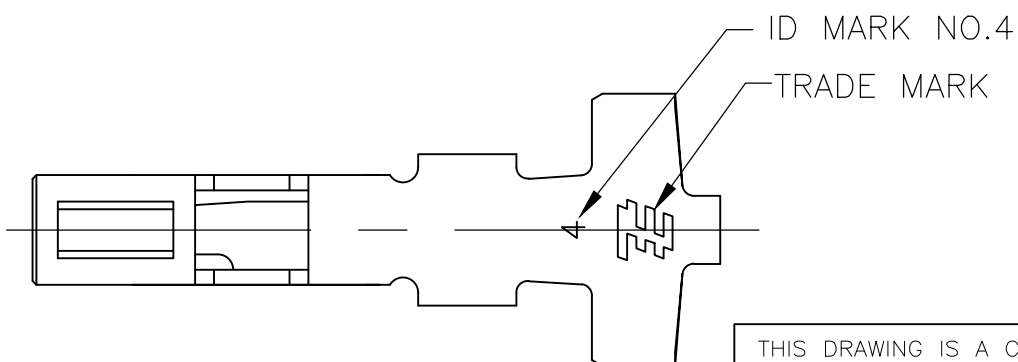
C-C



A-A
(P/N:1827395-1)



A-A
(P/N:1827395-2)



- 1 一般公差: ± 0.25
- 2 材料: 錫めっき済 銅合金
- 3 適用電線: AWG #20-#24 (被覆外径 $\phi 1.5 \sim \phi 2.5$)

- 1 GENERAL TOLERANCE: ± 0.25
- 2 MATERIAL: PRE-TIN COPPER ALLOY
- 3 APPLICABLE WIRE: AWG #20-#24 (INS DIA $\phi 1.5 \sim \phi 2.5$)

1827395-2
1827395-1
PART NUMBER

THIS DRAWING IS A CONTROLLED DOCUMENT.		DWN T.HATANO 12APR2005	TE Connectivity														
DIMENSIONS: 単位: 耗 mm		CHK A.OISHI 12APR2005															
TOLERANCES UNLESS OTHERWISE SPECIFIED: 一般公差		APVD N.YAMASAKI 12APR2005	NAME 名称 GRACE INERTIA CONNECTOR 3.3 REC CONTACT														
<table border="1"> <tr> <td>0 PLC</td> <td>±</td> </tr> <tr> <td>1 PLC</td> <td>±</td> </tr> <tr> <td>2 PLC</td> <td>±</td> </tr> <tr> <td>3 PLC</td> <td>±</td> </tr> <tr> <td>4 PLC</td> <td>±</td> </tr> <tr> <td>ANGLES</td> <td>±</td> </tr> </table>		0 PLC	±	1 PLC	±	2 PLC	±	3 PLC	±	4 PLC	±	ANGLES	±	PRODUCT SPEC 製品規格 108-78231	SIZE A3		
0 PLC	±																
1 PLC	±																
2 PLC	±																
3 PLC	±																
4 PLC	±																
ANGLES	±																
MATERIAL 材料 SEE NOTE		APPLICATION SPEC 取付適用規格 114-5372	CAGE CODE 00779	DRAWING NO 番号 C-1827395	RESTRICTED TO -												
CUSTOMER DRAWING			SCALE 尺度 10:1	SHEET 1 OF 1	REV E3												

单击下面可查看定价，库存，交付和生命周期等信息

[>>TE Connectivity\(泰科\)](#)