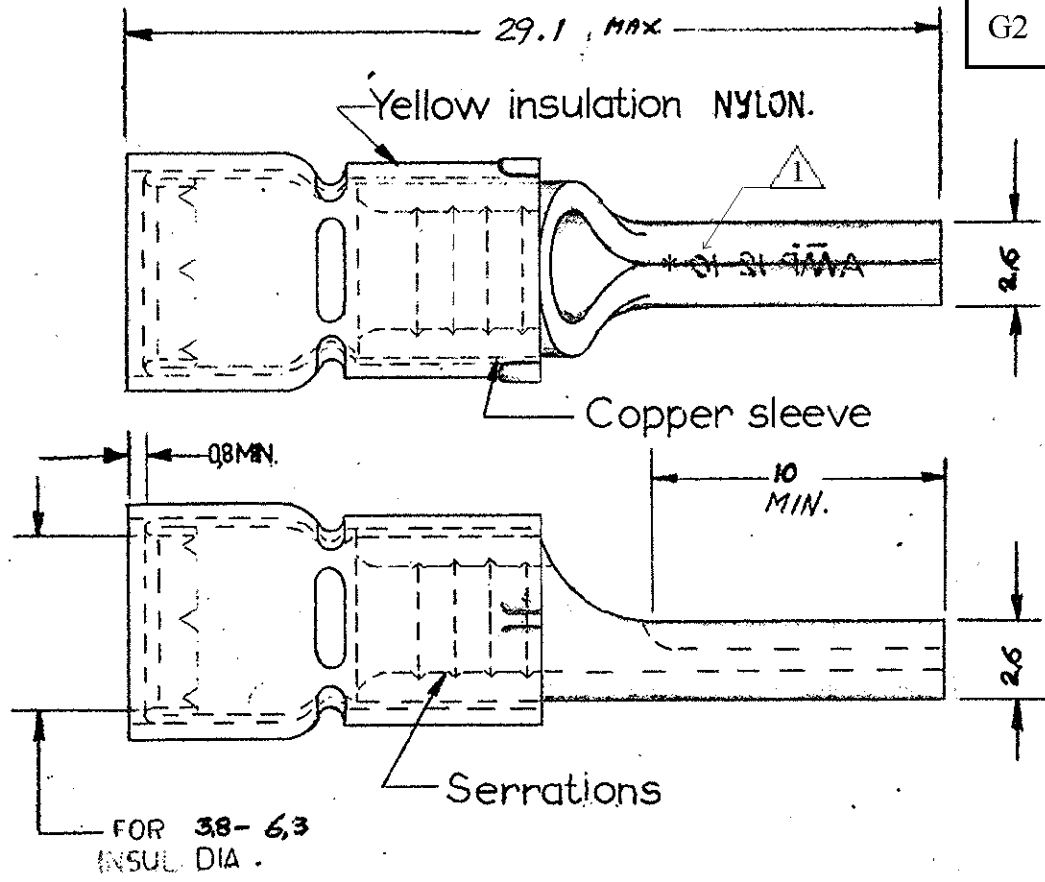


DIMENSIONS IN MM —DO NOT SCALE PRINT

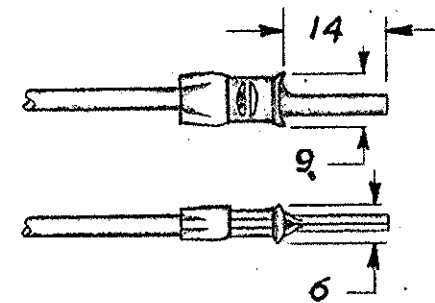
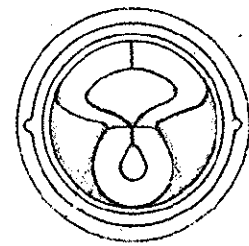
NUMBER
C-165049

LTR	REVISION RECORD	DATE	APPROVED
G2	REVISED PER ECO-14-003208	21MAR2014	DR



TE CONNECTIVITY NR	FINISH
165049	Tinplated

- 1 STAMP AMP 12-10* APPROX AS SHOWN
- 2 UL RECOGNIZED FILE E13288
12-10 AWG STRANDED WIRE



CUSTOMER PRINT
FOR REFERENCE ONLY

-9	-8	-7	-6	-5	-4	-3	-2	-1
REQUIRED PER ASSEMBLY								
DESCRIPTION								

DWG SIZE	NUMBER	NAME	REMARKS	ITEM NO.
MATERIAL Copper		HEAT TREAT ~		FINISH Tinpl.
DR. <i>L. Horvath</i> 15-11-60		DATE APP. <i>M. Wintwog</i> 14/1/60	DATE REL	DATE
CHK. <i>M. Wintwog</i> 17/1/60		DATE APP. <i>M. Wintwog</i> 11/21-60	DATE FIRST USED	TOL ±0.2
TE Connectivity		TYPE G.P.	PRINT DIST	LOC HA
SCALE 4:1		WIRE SIZE 27-66	CMA MAX. MIN.	NUMBER C-165049
		NAME WIRE PIN PIDG		
		REV G2		

单击下面可查看定价，库存，交付和生命周期等信息

[>>TE Connectivity\(泰科\)](#)