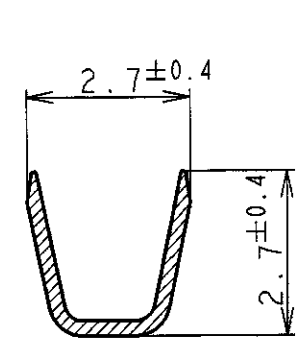
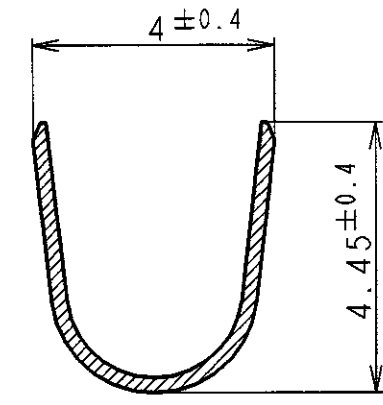


THIS DRAWING IS UNPUBLISHED. RELEASED FOR PUBLICATION .19
 BY AMP INCORPORATED. ALL RIGHTS RESERVED.

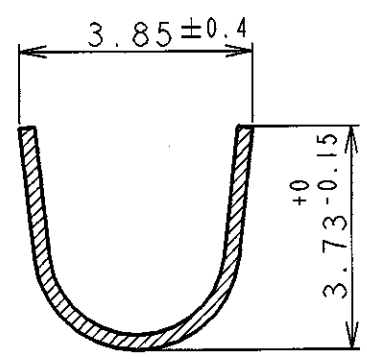
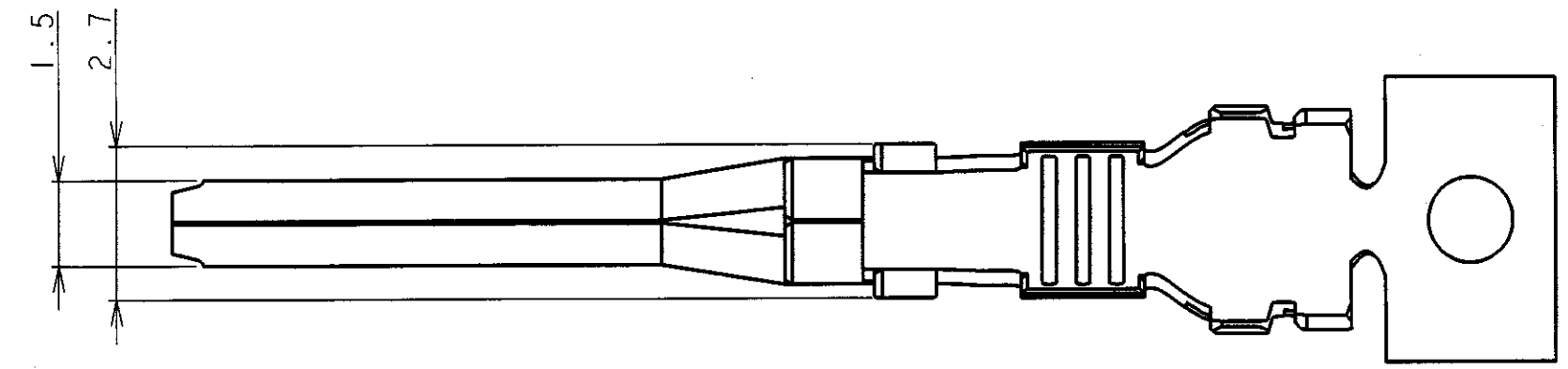
LOC		DIST		REVISIONS				
P	LTR	DESCRIPTION		ECN	DATE	DWN	APVD	
-	-	C	REVISED	FJ00-0401-99	9.MAR'99	CWL	[Signature]	



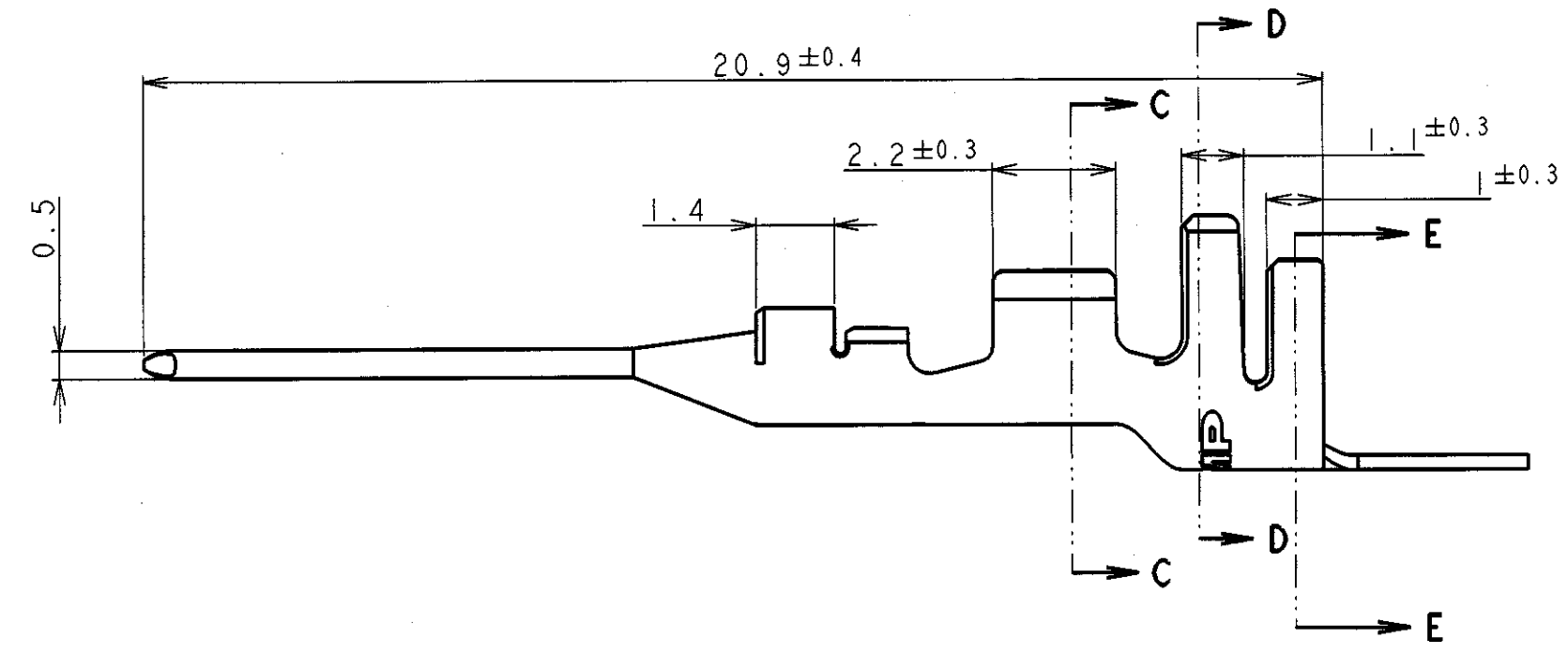
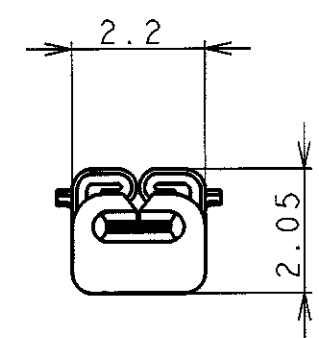
SECT 断面 C-C



SECT 断面 D-D



SECT 断面 E-E



NOTES:
 1. APPLICABLE SPECIFICATIONS:
 PRODUCT SPEC: 108-5616
 APPLICATION SPEC: 114-5256

1123910-1
 PART NUMBER

WIRE RANGE 絶合電線断面積	0.51~1.38mm ² (AWG #20~#16)	INSULATION DIA 被覆外径	φ1.8~3.1mm
-----------------------	---	------------------------	------------

THIS DRAWING IS A CONTROLLED DOCUMENT FOR AMP INCORPORATED. IT IS SUBJECT TO CHANGE AND THE CONTROLLING ENGINEERING ORGANIZATION SHOULD BE CONTACTED FOR THE LATEST REVISION.		DWN W. L. CHOO 10. JUN '98	AMP 日本イー・エム・ピー株式会社 Kawasaki, Japan	
DIMENSIONS: 単位: 英 mm	TOLERANCES UNLESS OTHERWISE SPECIFIED: 一般公差 10 ≥ : ±0.2 30 ≥ > 10 : ±0.25 100 ≥ > 30 : ±0.3 ANGLE : ±3°	CHK J. TANIGAWA 11. JUN '98	NAME 名称 POWER TAB CONTACT FOR AMP MINI CT LATTICE CONNECTOR	
MATERIAL 材料 COPPER ALLOY	FINISH 仕上 PRE-TIN	APVD D. Kubouchi 9. MAR '99	PRODUCT SPEC 108-5616	SIZE A3
CUSTOMER DRAWING		APPLICATION SPEC 取付適用規格 114-5256	WEIGHT -	CAGE CODE 00779
		DRAWING NO 番号 C-1123910		RESTRICTED TO
		SCALE 尺度 8:1	SHEET OF 1	REV C

单击下面可查看定价，库存，交付和生命周期等信息

[>>TE Connectivity\(泰科\)](#)