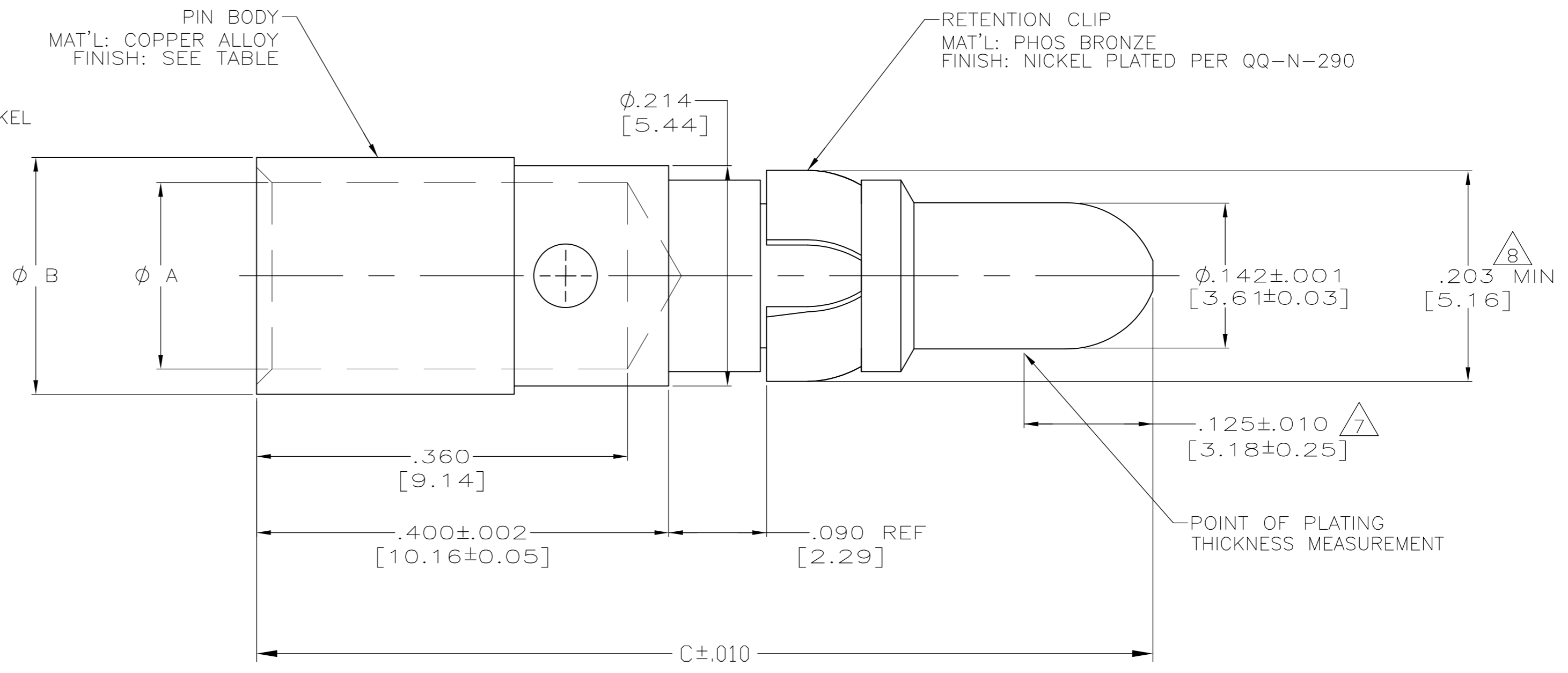


THIS DRAWING IS UNPUBLISHED. RELEASED FOR PUBLICATION
 © COPYRIGHT - By - ALL RIGHTS RESERVED.

REVISIONS					
P	LTR	DESCRIPTION	DATE	DWN	APVD
U		REV PER ECO 17-000133	1-26-17	CT	DM

1. THIS PART CONFORMS TO REQUIREMENTS FOR DANIELS CRIMP TOOL NO. M300-BT, WITH DANIELS POSITIONER PART NO. SP689, STRIP LENGTH .375, #8 AWG SETTING 7, #10 AWG SETTING 3.
2. MATES WITH 211161-1 IN AMPLIMITE CONNECTOR ASSEMBLIES ONLY.
3. FINISH: PLATED GOLD .000050 [0.00127] MIN THK PER ASTM-B-488 OVER NICKEL .000050 [0.00127] MIN THK PER QQ-N-290.
4. FINISH: PLATED GOLD .000030 [0.00076] MIN THK PER ASTM-B-488 OVER NICKEL .000050 [0.00127] MIN THK PER QQ-N-290.
5. NOT FOR GENERAL DISTRIBUTION; USAGE RESTRICTED TO SPECIFIC CUSTOMER CONFIGURATION.
6. RESTRICTED PART NUMBER.
7. FINISH:
MATING AREA: GOLD PER ASTM-B-488 (TYPE II) OVER NICKEL PER AMS-QQ-N-290
NON-MATING AREA: GOLD STRIKE PER ASTM-B-488 OVER NICKEL PER AMS-QQ-N-290
8. DIMENSION MUST BE MEASURED USING A RING GAGE.



REMARKS	FINISH	DIM C	DIM B	DIM A	WIRE SIZE	PART NUMBER
PRELIMINARY- NOT RELEASED FOR PRODUCTION	6					1-211159-2
PRELIMINARY- NOT RELEASED FOR PRODUCTION	6					1-211159-1
PRELIMINARY- NOT RELEASED FOR PRODUCTION	5	3	.948 [24.08]	.230 [5.84]	.181 [4.60]	#8 AWG 211159-5
PRELIMINARY- NOT RELEASED FOR PRODUCTION	2	4	.870 [22.10]	.185 [4.70]	.136 [3.45]	#10 AWG 211159-4
PRELIMINARY- NOT RELEASED FOR PRODUCTION	2	4	.870 [22.10]	.230 [5.84]	.181 [4.60]	#8 AWG 211159-3
	2	7	.870 [22.10]	.185 [4.70]	.136 [3.45]	#10 AWG 211159-2
	2	7	.870 [22.10]	.230 [5.84]	.181 [4.60]	#8 AWG 211159-1

THIS DRAWING IS A CONTROLLED DOCUMENT.

DWN: C.C.THOMAS 11/10/00
 CHK: D.MILLER 11/10/00
 APVD: D.MILLER 11/10/00

TE Connectivity

ASSEMBLY, PIN CONTACT
 POWER VIII, #8 & #10 AWG

108-10045
 114-10014

WEIGHT: 0.000000
 SCALE: 10:1
 SHEET: 1 of 1
 REV: U

单击下面可查看定价，库存，交付和生命周期等信息

[>>TE Connectivity\(泰科\)](#)