

REVISIONS

P	LTR	DESCRIPTION	DATE	DWN	APVD
	BI	REVISED (ECR-16-005149)	15. JAN. '16	SM	HG

CODING-A (P/N: 1897725-2)

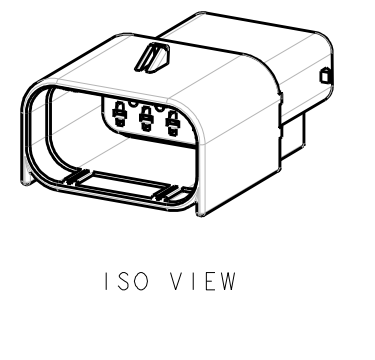
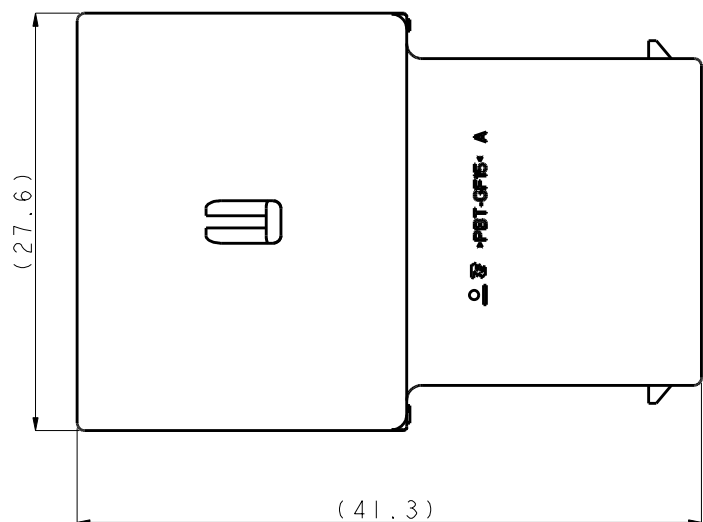
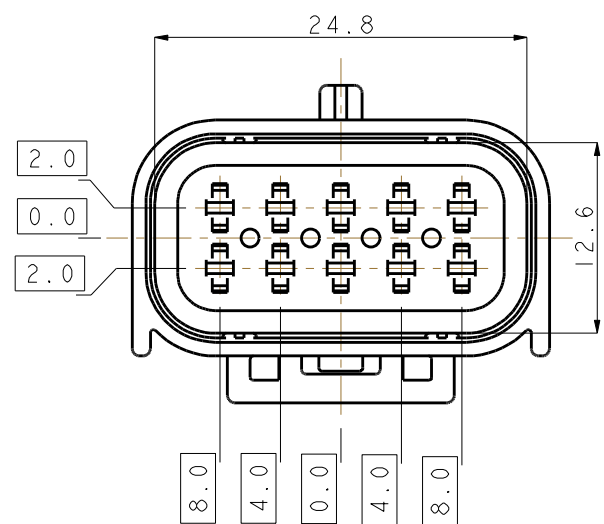


TABLE 1. APPLICABLE TAB CONTACT.

TAB	PART NO.	WIRE RANGE (mm ²)	INSULATION DIA. (mm) (FLR)
MCP 1.5	969028	0.2-0.5	1.2-1.6
	964269	0.5-1.0	1.4-2.1
	△ 1703278	1.25-1.5	1.4-2.1

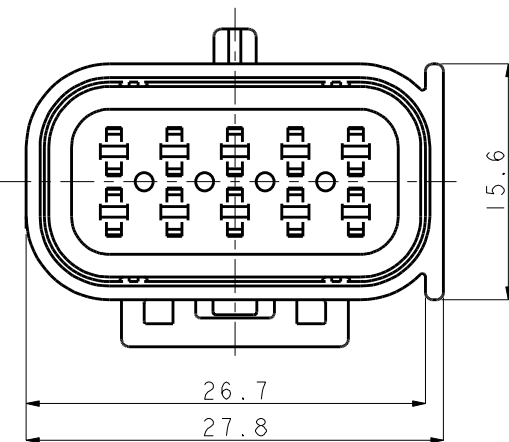
TABLE 2. APPLICABLE SINGLE WIRE SEALS.

WIRE RANGE (mm ²)	INSULATION DIA. (mm)	COLOR	PART NO.
0.35-0.50	1.2~1.6	RED	964971-1
0.50-0.75	1.4~1.9	GRAY	963530-1
1.0	1.9~2.1	YELLOW	964972-1
△ 1.25	1.9~2.4	ORANGE	2112323-1

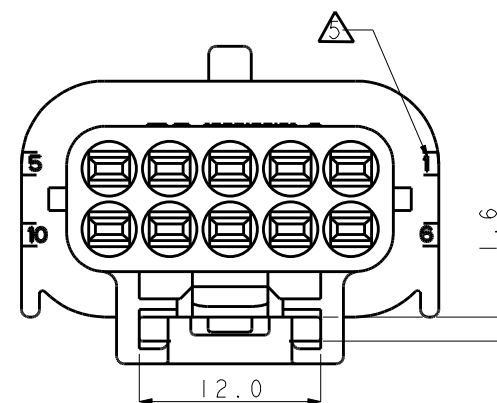
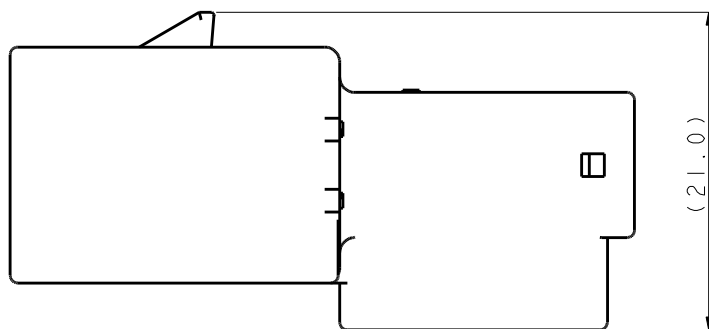
TABLE 3. APPLICABLE DEAD END PLUG

APPLICABLE ASS'Y P/N	△ DEAD END PLUG	COLOR	PART NO.
1-1897726-2	DEAD END PLUG	WHITE	963531-1
		NATURAL	1394132-1
2-1897726-3	DEAD END PLUG	NATURAL	1394132-1

BI CODING-B (P/N: 1-1897725-3)



Missing dimension see P/N: 1897726-2

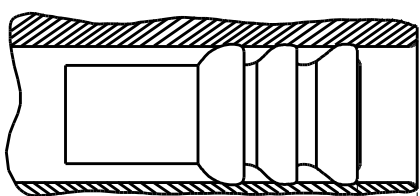


NOTE ;

- GENERAL TOLERANCE : ±0.3, ±3.0°
- APPLICABLE TAB CONTACT : SEE TABLE 1.
- APPLICABLE SINGLE WIRE SEAL : SEE TABLE 2.
- THE MATING REC. HSG ASS'Y P/N : 1897726-2 / 1-1897726-2 / 2-1897726-3
CIRCUIT NO.
TAB CONTACT (P/N: 1703278) AND SINGLE WIRE SEALS (P/N: 2112323-1) SHOULD BE USED TO ONLY MATING REC. HSG ASS'Y (P/N: 1-1897726-2).
DEAD END PLUG INSERTION DEPTH: 1.5mm ^{+1.5}/₀
- APPLICABLE COVER P/N : 2219418-2

B △ 7

DEAD END PLUG INSERTION DEPTH: 1.5mm ^{+1.5}/₀



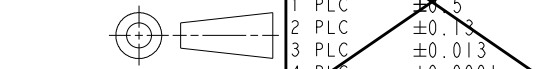
SCALE 5:1

BI

1-1897725-3	TAB HSG	PBT-GF15	GRAY
1897725-2	TAB HSG	PBT-GF15	BLACK
PART NO.	DESCRIPTION	MATERIAL	COLOR

THIS DRAWING IS A CONTROLLED DOCUMENT.

DIMENSIONS: mm



MATERIAL - FINISH -

TOLERANCES UNLESS OTHERWISE SPECIFIED:	
0 PLC	±-
1 PLC	±0.5
2 PLC	±0.13
3 PLC	±0.013
4 PLC	±0.0001
ANGLES	±-

DWN	SM LEE
CHK	KT LIM
APVD	HG CHO
PRODUCT SPEC	-
APPLICATION SPEC	-
WEIGHT	-



TE Connectivity

NAME: MCP1.5 SEALED 10P TAB HSG

SIZE	CAGE CODE	DRAWING NO	RESTRICTED TO
A	300779	C=1897725	-

CUSTOMER DRAWING

SCALE 1:1 SHEET 1 OF 1 REV BI

单击下面可查看定价，库存，交付和生命周期等信息

[>>TE Connectivity\(泰科\)](#)