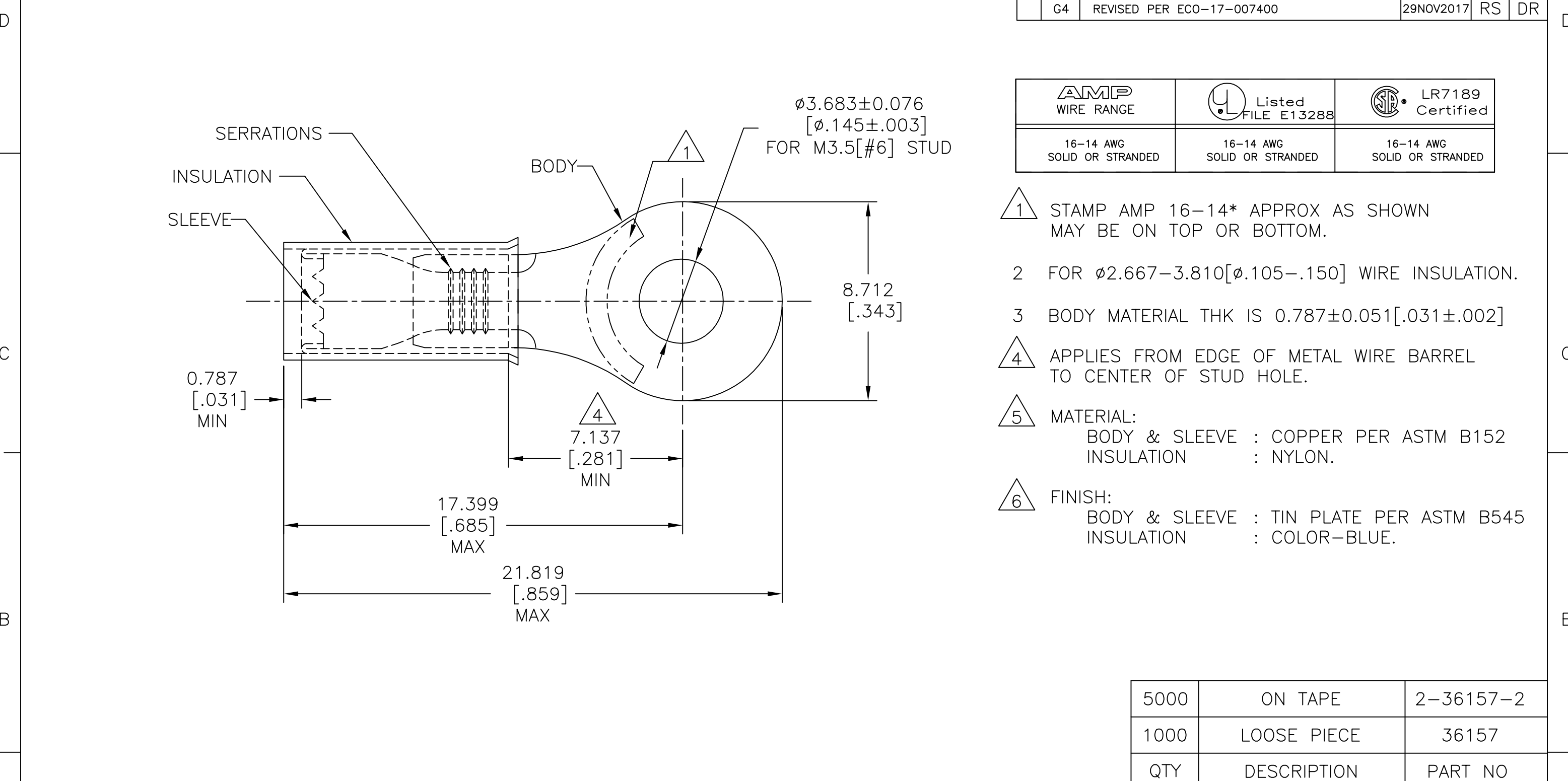


REVISIONS					
P	LTR	DESCRIPTION	DATE	DWN	APVD
	G3	REVISED PER ECO-14-009348	20JUN2014	NK	DR
	G4	REVISED PER ECO-17-007400	29NOV2017	RS	DR



AMP WIRE RANGE	Listed FILE E13288	LR7189 Certified
16-14 AWG SOLID OR STRANDED	16-14 AWG SOLID OR STRANDED	16-14 AWG SOLID OR STRANDED

- 1 STAMP AMP 16-14* APPROX AS SHOWN MAY BE ON TOP OR BOTTOM.
- 2 FOR $\phi 2.667-3.810$ [$\phi .105-.150$] WIRE INSULATION.
- 3 BODY MATERIAL THK IS 0.787 ± 0.051 [$.031 \pm .002$]
- 4 APPLIES FROM EDGE OF METAL WIRE BARREL TO CENTER OF STUD HOLE.
- 5 MATERIAL:
 BODY & SLEEVE : COPPER PER ASTM B152
 INSULATION : NYLON.
- 6 FINISH:
 BODY & SLEEVE : TIN PLATE PER ASTM B545
 INSULATION : COLOR-BLUE.

5000	ON TAPE	2-36157-2
1000	LOOSE PIECE	36157
QTY	DESCRIPTION	PART NO

AMP INCORPORATED CUSTOMER SERVICE SYSTEMS		MAX RECOMMENDED OPERATING TEMPERATURE: 105°C [221°F]	THIS DRAWING IS A CONTROLLED DOCUMENT.		DWN jr_ruth 17MAR09	TE Connectivity			
FOR ADDITIONAL PRODUCT INFORMATION OR COPIES OF DRAWINGS AND TECHNICAL DOCUMENTS	PRODUCT INFORMATION CENTER 1-800-522-6752	VOLTAGE RATING: 300 V MAX	DIMENSIONS: mm [INCHES]	TOLERANCES UNLESS OTHERWISE SPECIFIED:	CHK TOM MICHIELUTTI 17MAR09				
FOR APPLICATION TOOLING INFORMATION	TOOLING ASSISTANCE CENTER 1-800-722-1111	CIRCULAR MIL AREA: 1.04-2.62mm ² [2,050-5,180] SOLID OR STRANDED		0 PLC ± - 1 PLC ± - 2 PLC ± - 3 PLC ± 0.127[.005] 4 PLC ± - ANGLES ± 5°	APVD TOM MICHIELUTTI 17MAR09	PRODUCT SPEC UL 486 A-B			
FOR ORDER ENTRY	1-800-526-5142	THIS DRAWING IS A CONTROLLED DOCUMENT FOR AMP INCORPORATED. IT IS SUBJECT TO CHANGE AND THE CONTROLLING ENGINEERING ORGANIZATION SHOULD BE CONTACTED FOR THE LATEST REVISION.	MATERIAL 5	FINISH 6	APPLICATION SPEC 114-2157	SIZE A3	CAGE CODE 00779	DRAWING NO C-36157	RESTRICTED TO -
					CUSTOMER DRAWING	SCALE 8:1	SHEET 1 OF 1	REV G4	

单击下面可查看定价，库存，交付和生命周期等信息

[>>TE Connectivity\(泰科\)](#)