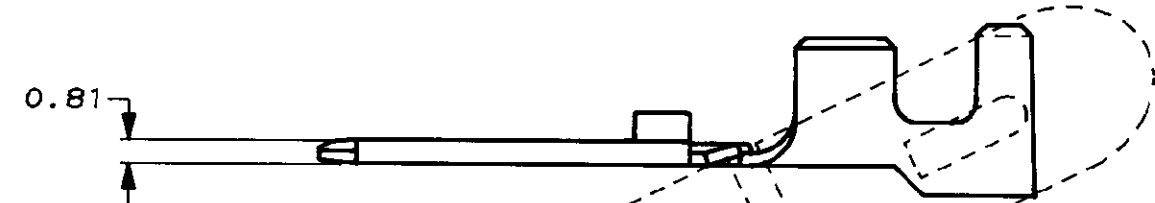
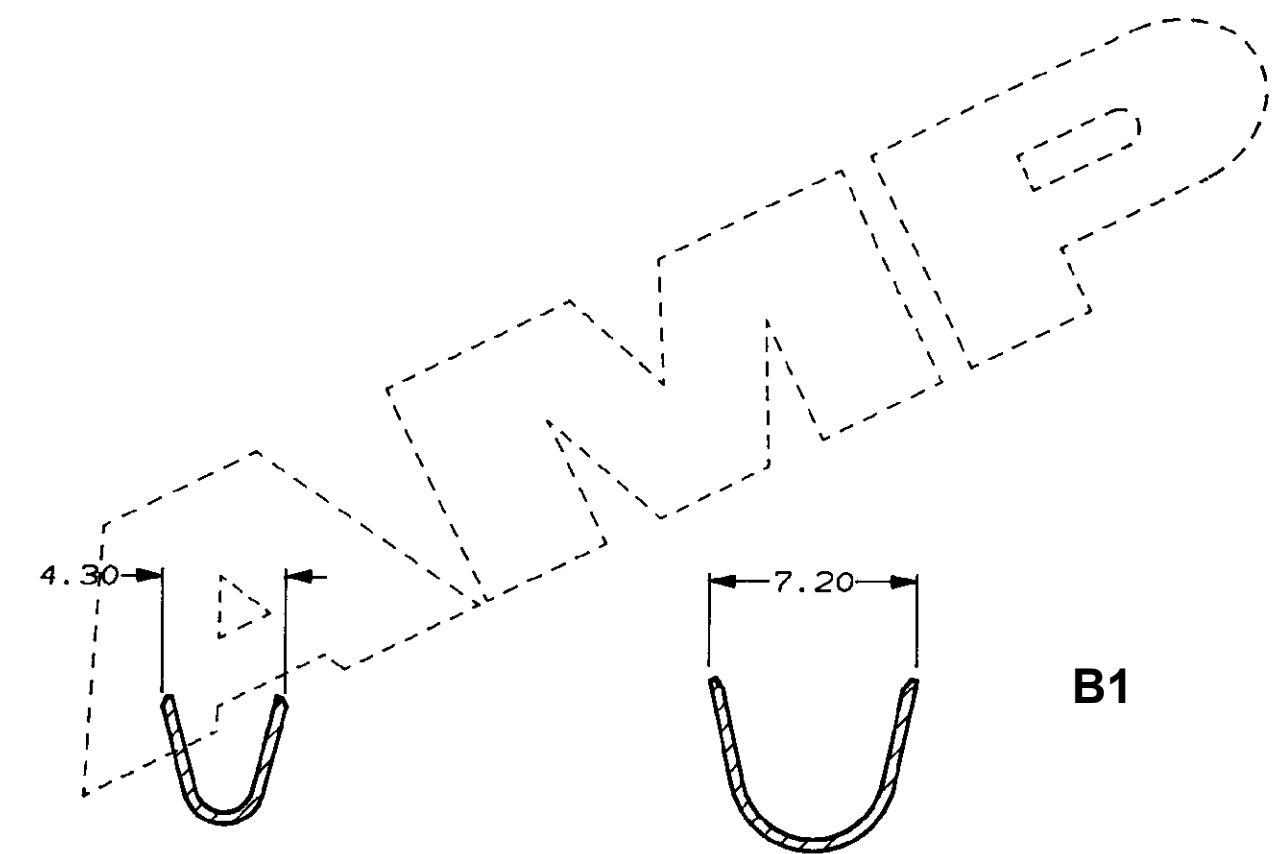
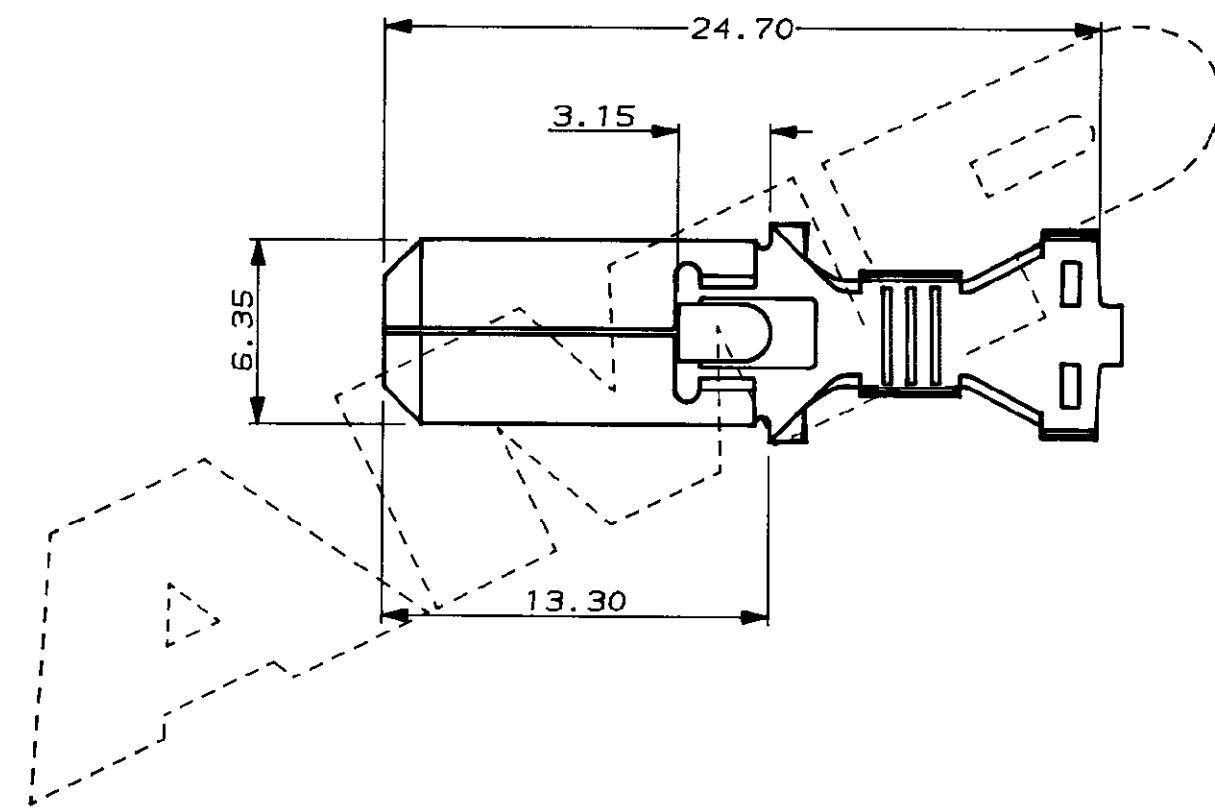


DO NOT SCALE DIMENSIONS IN MM.

C.A.D. FILE CODE  
C344008



WIRE RANGE 2.00 TO 3.00 MM<sup>2</sup>  
 INS. RANGE 4.10 TO 5.50 MM DIA. INC. SEAL  
 (ONLY THIN WALLED CABLE 2.20 TO 3.40 MM DIA. IS SUITABLE)

B1

TIN PLATED		BRASS		344008-1	
FINISH		MATERIAL		PART NUMBER	
CUSTOMER DWG FOR REFERENCE ONLY			©COPYRIGHT 1987 BY AMP OF GREAT BRITAIN LTD. ALL INTERNATIONAL RIGHTS RESERVED. ALL PRODUCTS MAY BE COVERED BY BRITISH AND FOREIGN PATENTS AND/OR PATENTS PENDING.		
B1 ECR-20-001446		SCK 30JAN2020		DR. R. RUNAGALL 23/06/87	
B EBA0-0001-05		RS/MG 20.1.05		CH. R. J. S. APP. B. J.	
A UPDATED		CS241 18.5.89			
O REL. FOR PROD.		C4887 8.3.88			
REV APPROVED		ECN DATE		TOLERANCES UNLESS OTHERWISE STATED : DEC ± 0.5 ANGLES ± 1°	
NAME .250 SERIES TAB HIGH CURRENT ECONOSEAL 3 (SEALED APPLICATIONS)				23/06/87	
SCALE 4/1		LOC E		SIZE A3	
DWG.No. C344008		REV B1		SHEET 1/1	

单击下面可查看定价，库存，交付和生命周期等信息

[>>TE Connectivity\(泰科\)](#)