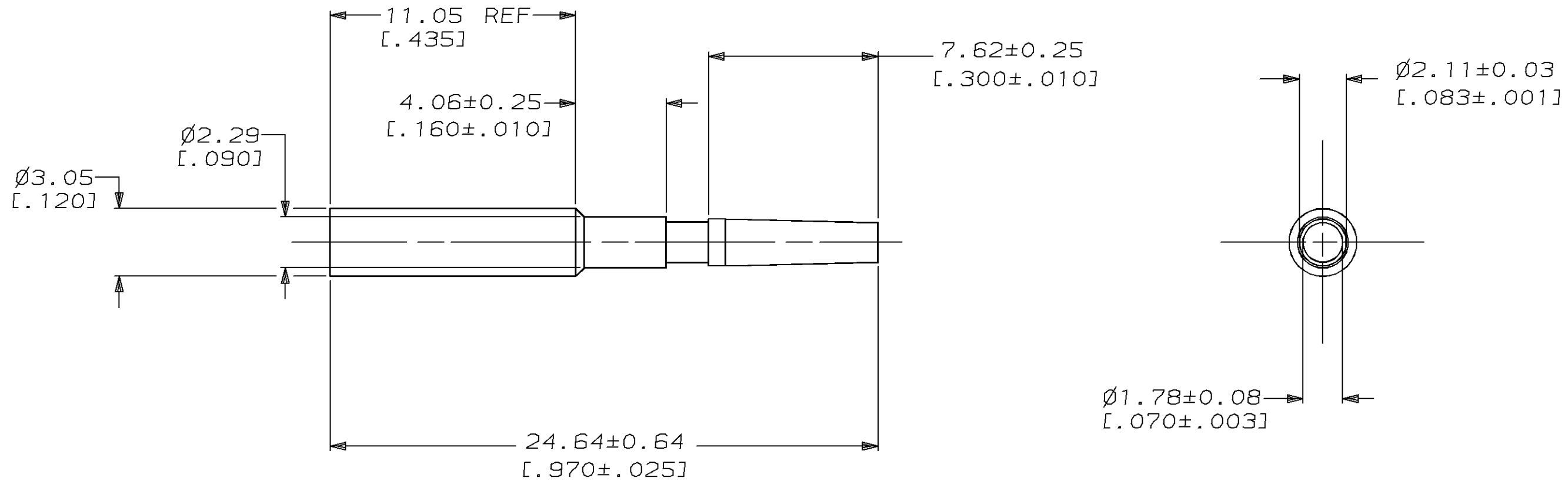


THIS DRAWING IS UNPUBLISHED. RELEASED FOR PUBLICATION, 19 .
© COPYRIGHT 19 BY AMP INCORPORATED. ALL INTERNATIONAL RIGHTS RESERVED.

LOC	DIST	P	F	REVISIONS				
CM	52			ZONE	LTR	DESCRIPTION	DATE	APPD
					D	REV & REDWN PER EC 0730-0059-95	3-21-95	KS
								RS

1. DIMENSIONS IN BRACKETS ARE IN INCHES.



350591-1

PART NO

METRIC

THIS DRAWING IS A CONTROLLED DOCUMENT FOR AMP INCORPORATED. IT IS SUBJECT TO CHANGE AND THE CONTROLLING ENGINEERING ORGANIZATION SHOULD BE CONTACTED FOR THE LATEST REVISION.

DO NOT SCALE PRINT. UNLESS SPECIFIED DIMENSIONS IN mm [INCHES] TOLERANCES ON: 2 PLC DEC ± 0.13[.005] 3 PLC DEC ± - ANGLES ± -	DR	3-21-95	
	CHK	K. SALMON	
	APPD	3-21-95	
	APPD	3-21-95	
MATERIAL	NYLON	PRODUCT SPEC	-
FINISH	BRICK RED	APPLICATION SPEC	-
		WEIGHT	-

AMP AMP Incorporated
Harrisburg, PA 17105-3608

NAME		
KEYING PLUG		
SIZE	CAGE CODE	DRAWING NO
B	00779	C-350591
SCALE	SHEET	
5:1	1 OF 1	

单击下面可查看定价，库存，交付和生命周期等信息

[>>TE Connectivity\(泰科\)](#)