

4

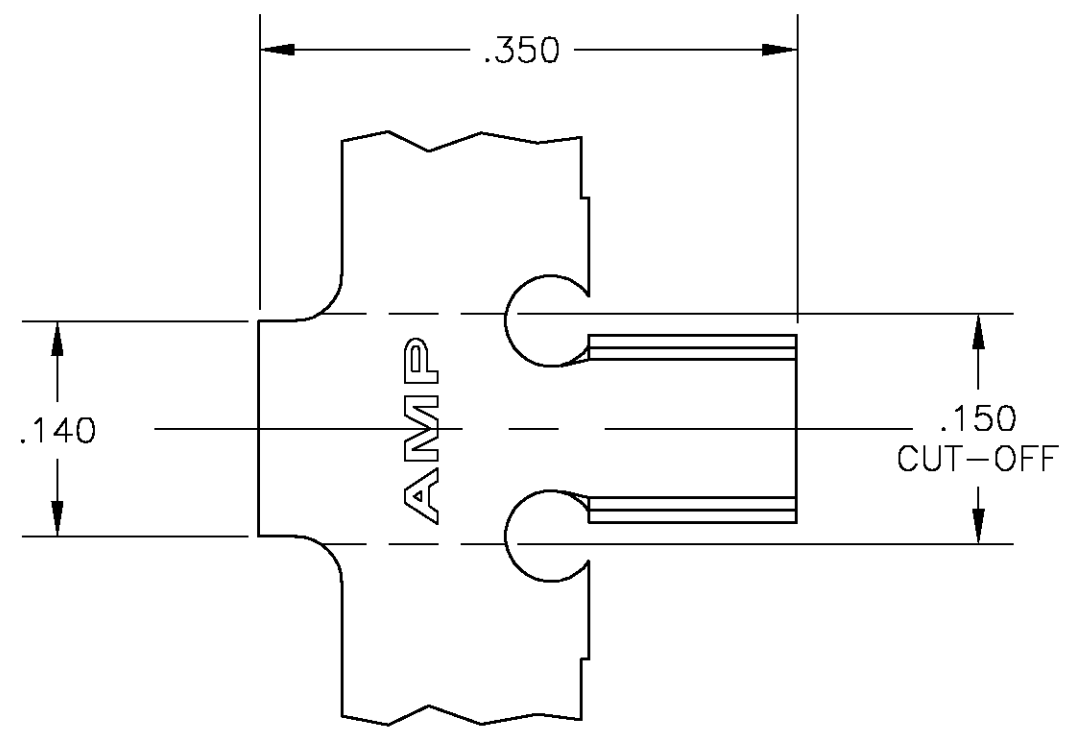
3

2

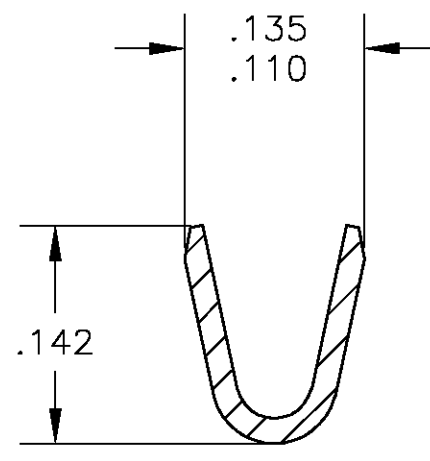
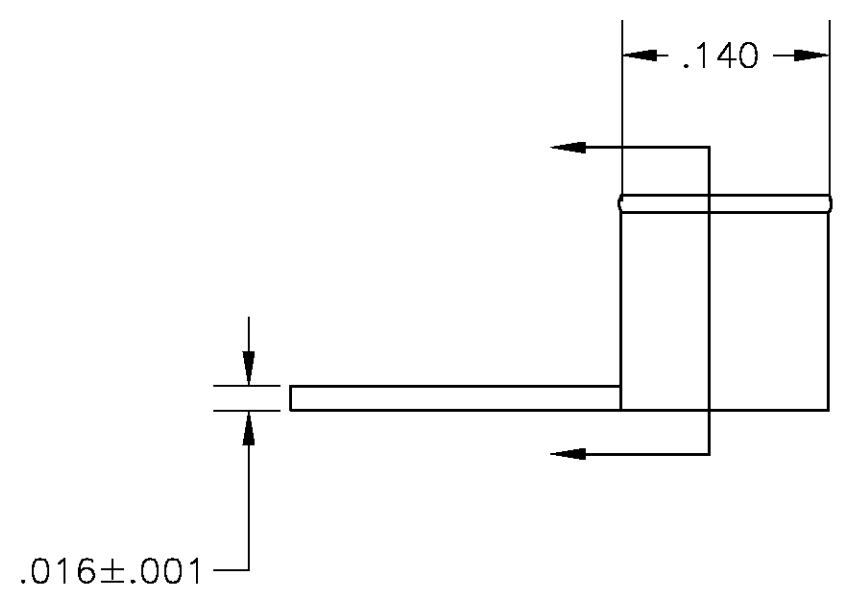
1

THIS DRAWING IS UNPUBLISHED. RELEASED FOR PUBLICATION
 © COPYRIGHT BY TYCO ELECTRONICS CORPORATION. ALL RIGHTS RESERVED.

LOC	DIST	REVISIONS			
P	LTR	DESCRIPTION	DATE	DWN	APVD
AF	50	K	REV PER 0G3A-0787-03	15DEC03	JR GP



- 1 CONTINUOUS STRIP ON REELS
- 2 WIRE SIZE IS #18-#14 OR TWO #18'S



62134-2
 PART NO

THIS DRAWING IS A CONTROLLED DOCUMENT.		DWN jr_ruth 15DEC2003	Tyco Electronics Corporation City, State, Zip		
DIMENSIONS: INCHES		CHK G PORTA 15DEC03			
		APVD G PORTA 15DEC03	NAME CONTACT		
TOLERANCES UNLESS OTHERWISE SPECIFIED:		PRODUCT SPEC	-		
0 PLC ± -		APPLICATION SPEC	-		
1 PLC ± -		WEIGHT	-		
2 PLC ± -		SIZE	CAGE CODE	DRAWING NO	RESTRICTED TO
3 PLC ± .010		A3 00779		C-62134	-
4 PLC ± -		CUSTOMER DRAWING			
ANGLES ± -		SCALE	SHEET	OF	REV
MATERIAL TEMP 2 STEEL		NICKEL		8:1	1 OF 1 K

单击下面可查看定价，库存，交付和生命周期等信息

[>>TE Connectivity\(泰科\)](#)