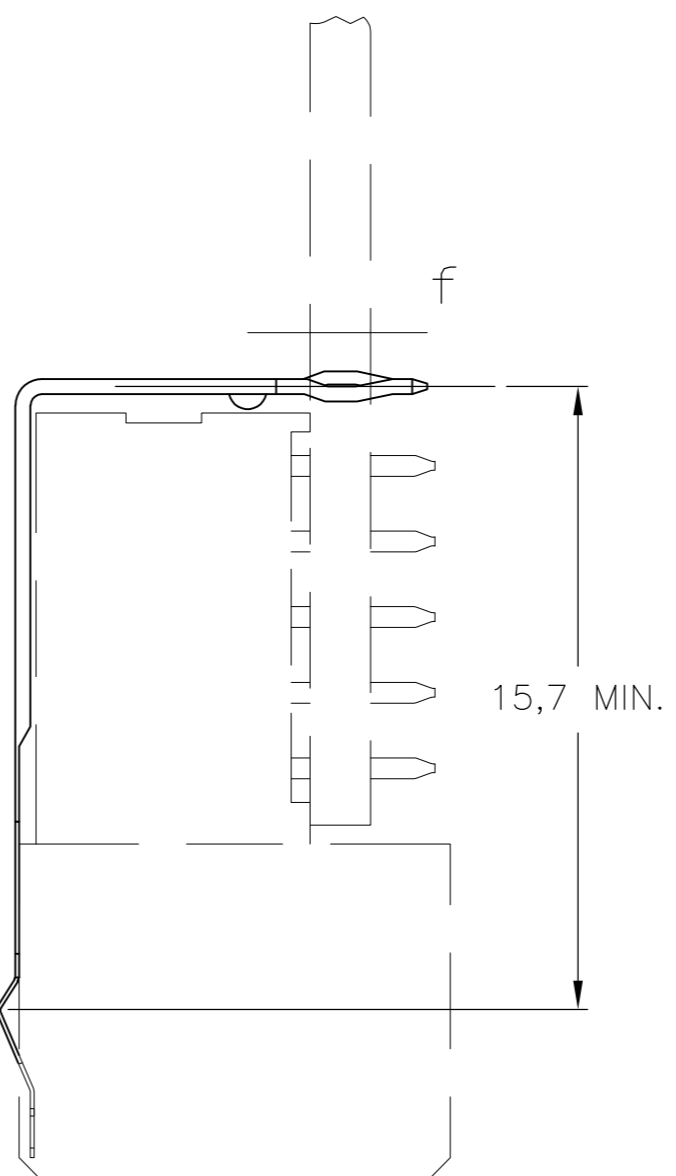
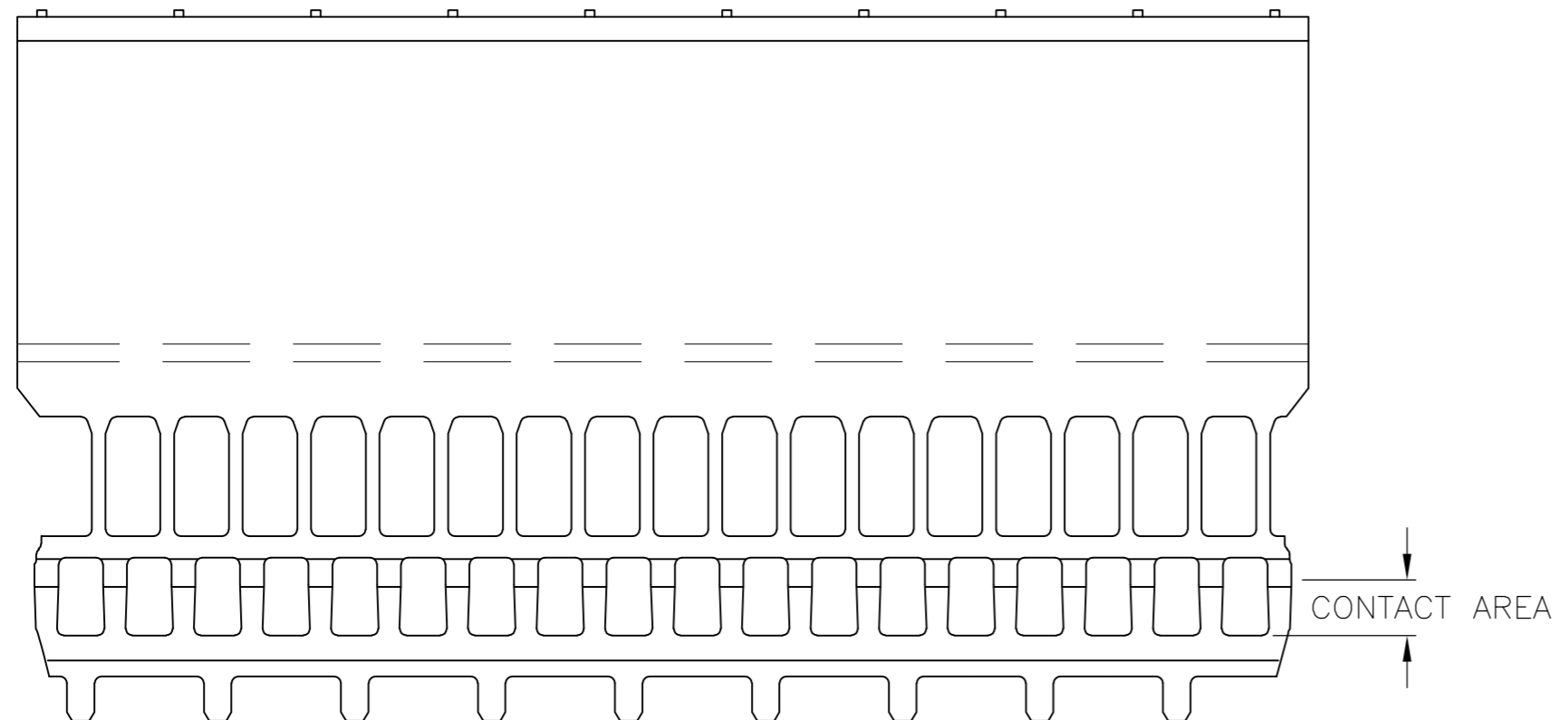
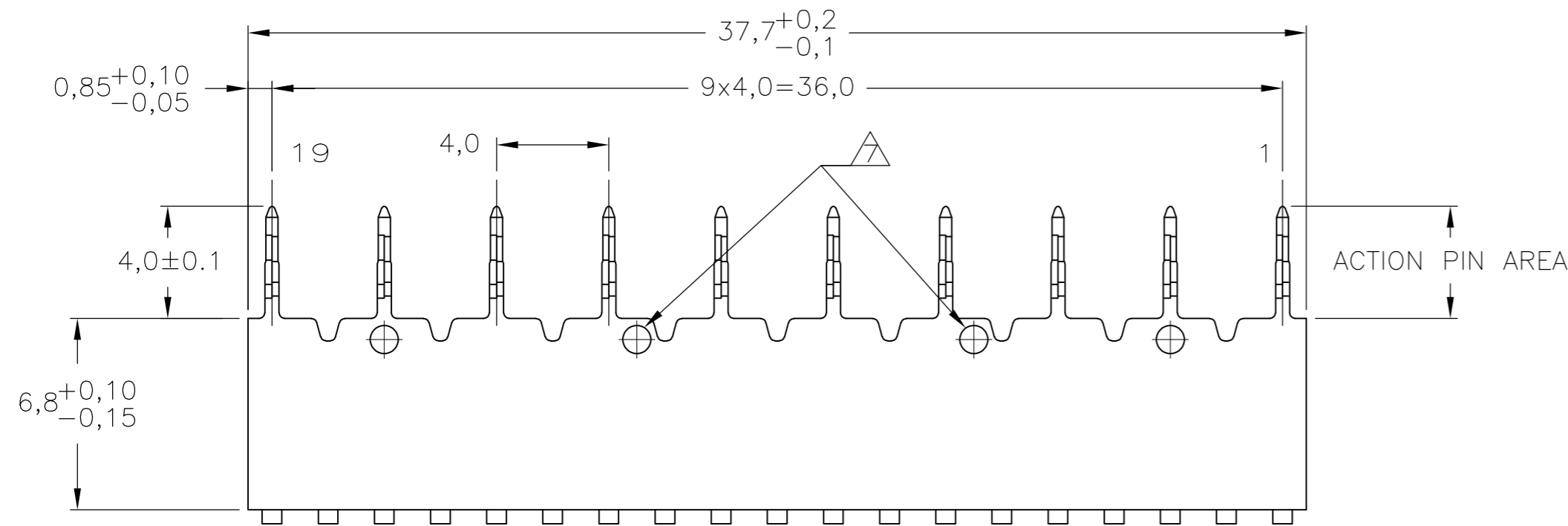


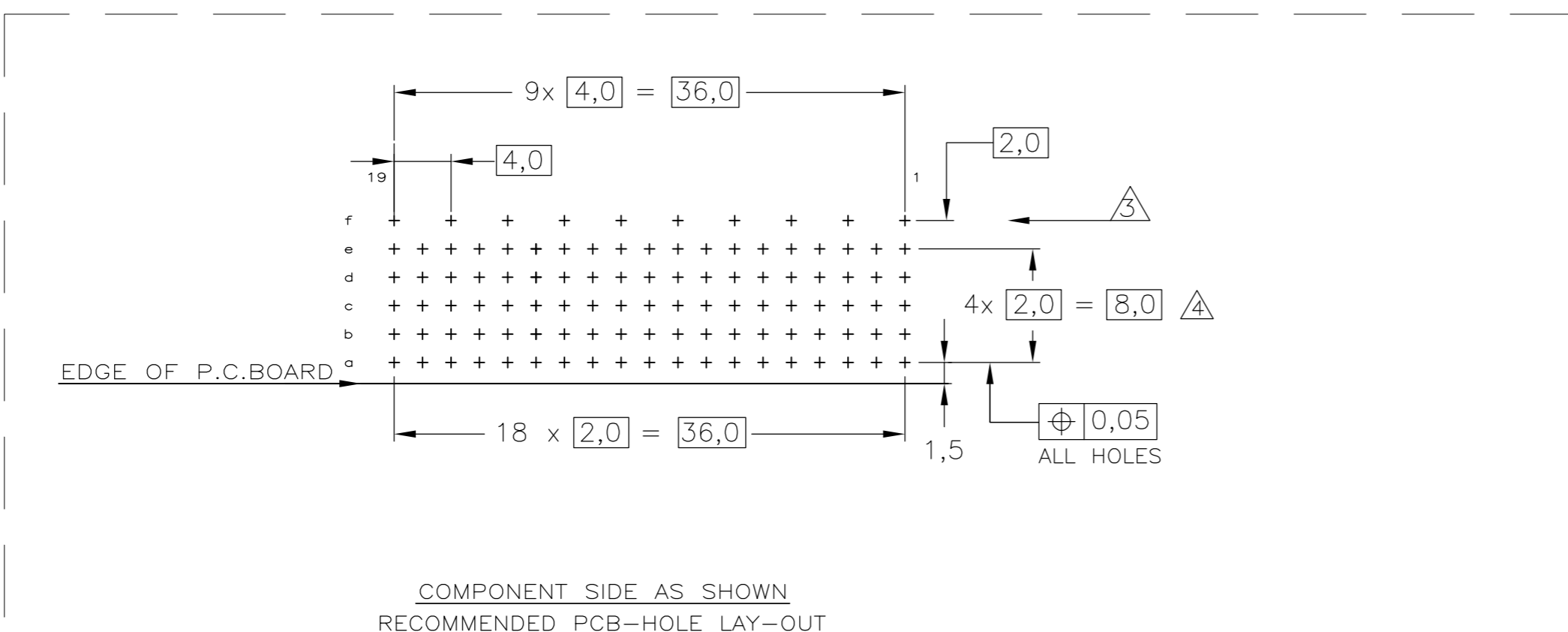
THIS DRAWING IS UNPUBLISHED. RELEASED FOR PUBLICATION  
 © COPYRIGHT - By - ALL RIGHTS RESERVED.

LOC		DIST		REVISIONS			
P	LTR	DESCRIPTION	DATE	DWN	APVD		
	M	REVISED PER ECO-13-015151	17DEC2013	FL	FY		



NOTES:

- △ GENERAL PLATING SPECIFICATION: UNDERPLATING (ENTIRE CONTACT): 1,27µm NICKEL MIN.AND ACTION PIN: 0,5µm TIN-LEAD MIN. FOR PLATING OF MATING SURFACES SEE PERFORMANCE LEVEL SHOWN IN PART NUMBER TABLE.
- △ MATERIAL; PHOSPHORBRONZE.
- △ ROW "f" 10 PLATED THROUGH HOLES FOR UPPERSHIELD
- △ HOLE PATTERN FOR FEMALE CONNECTOR TYPE B-19 COLUMNS 95 PLATED-THROUGH HOLES AT 2x2mm SQUARE GRID SHIELDS LUBRICATED WITH BELLCORE APPROVED LUBRICANT. TECHNICAL REF: TR-NWT-001217 ISSUE 1, SEPT. 1992.
- △ GENERAL PLATING SPECIFICATION: UNDERPLATING (ENTIRE CONTACT): 1,27µm NICKEL MIN.AND ACTION PIN: 0,5µm TIN-LEAD MIN. ASTM B579 60/40 FOR PLATING OF MATING SURFACES SEE PERFORMANCE LEVEL SHOWN IN PART NUMBER TABLE.
- △ OPTIONAL DIMPLES AT DISCRETION OF DIE ENGINEER.
- △ OBSOLETE PARTS: OBSOLETE CIS STREAMLINING PER D.RENAUD/D.SINISI
- △ CONFORMS TO ALL TESTING ACCORDING IEC 61076-4-101 PERFORMANCE LEVEL 2.
- △ CONFORMS TO ALL TESTING ACCORDING IEC 61076-4-101 PERFORMANCE LEVEL 1.
- △ CONNECTOR TESTED AND QUALIFIED AGAINST TELCORDIA GR-1217-CORE QUALITY LEVEL III,CENTRAL OFFICE APPLICATIONS.
- △ 0.76µm MIN GOLD PLATING AT MATING SURFACE.
- △ 1.27µm MIN GOLD PLATING AT MATING SURFACE.



COMPONENT SIDE AS SHOWN  
 RECOMMENDED PCB-HOLE LAY-OUT

P.C.B. HOLE DIM. ACTION PIN FOR DETAILS: SEE APPLICATION SPECIFICATION

	FINISH	MATERIAL	PARTNUMBER
△ 1, 9, 12	△ 2		8-352028-4
△ 1, 13	△ 2		9-352028-3
△ 6, 5, 11	△ 2		-9-352028-1
△ 1, 5, 11	△ 2		-352028-9-
△ 1, 9	△ 2		-352028-2-

THIS DRAWING IS A CONTROLLED DOCUMENT.

DWN	E. MÖLMANN	23-APR-96
CHK	W. v.d.HEIJDEN	23-APR-96
APVD	F. v.KONINGSBRUGGE	-
PRODUCT SPEC	108-19082	
APPLICATION SPEC	114-19029	
WEIGHT	-	
CUSTOMER DRAWING		

**TE** TE Connectivity

Z-PACK 2mm HM  
 GROUND RETURN UPPER SHIELD  
 TYPE B-19 COLUMNS

SIZE	A2	CAGE CODE	00779	DRAWING NO	C=352028	RESTRICTED TO	-
SCALE	5:1	SHEET	1 of 1	REV	M		

352028

单击下面可查看定价，库存，交付和生命周期等信息

[>>TE Connectivity\(泰科\)](#)