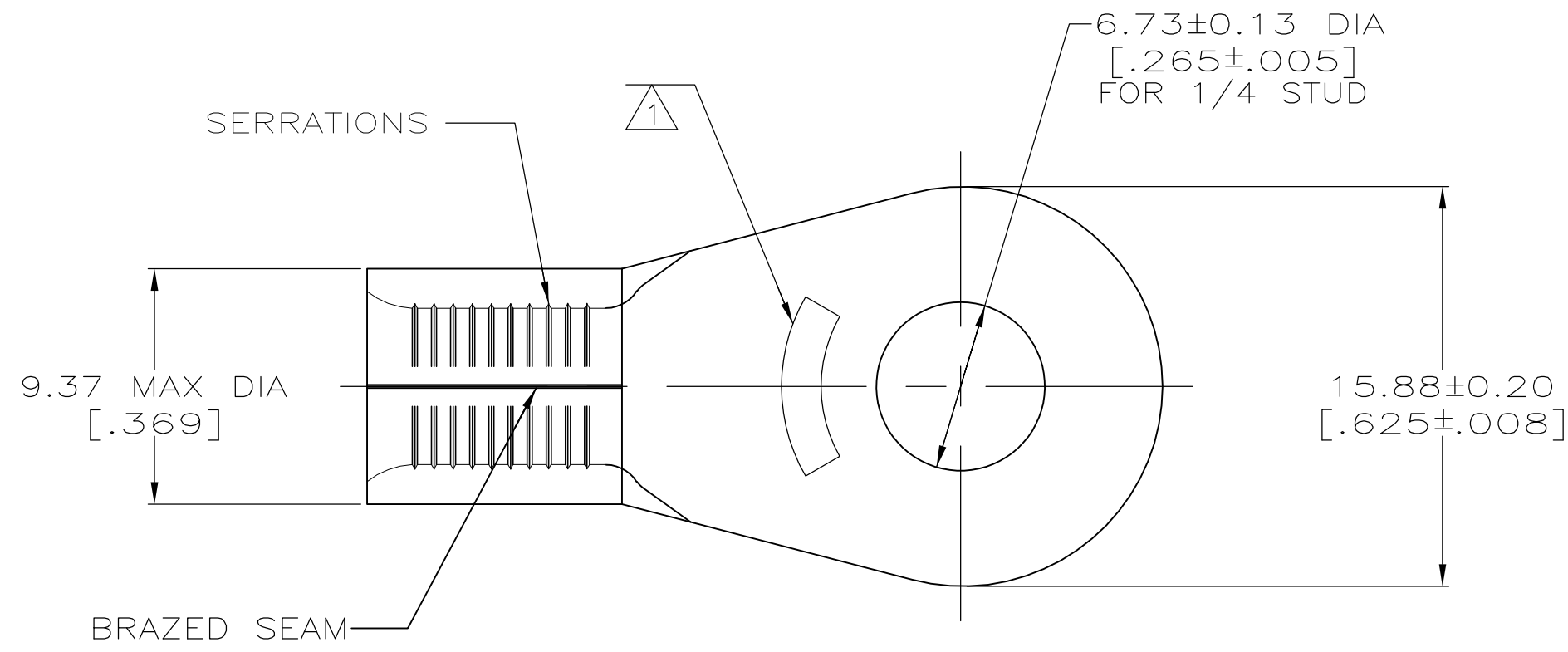


THIS DRAWING IS UNPUBLISHED. RELEASED FOR PUBLICATION
 © COPYRIGHT BY TYCO ELECTRONICS CORPORATION. ALL INTERNATIONAL RIGHTS RESERVED.

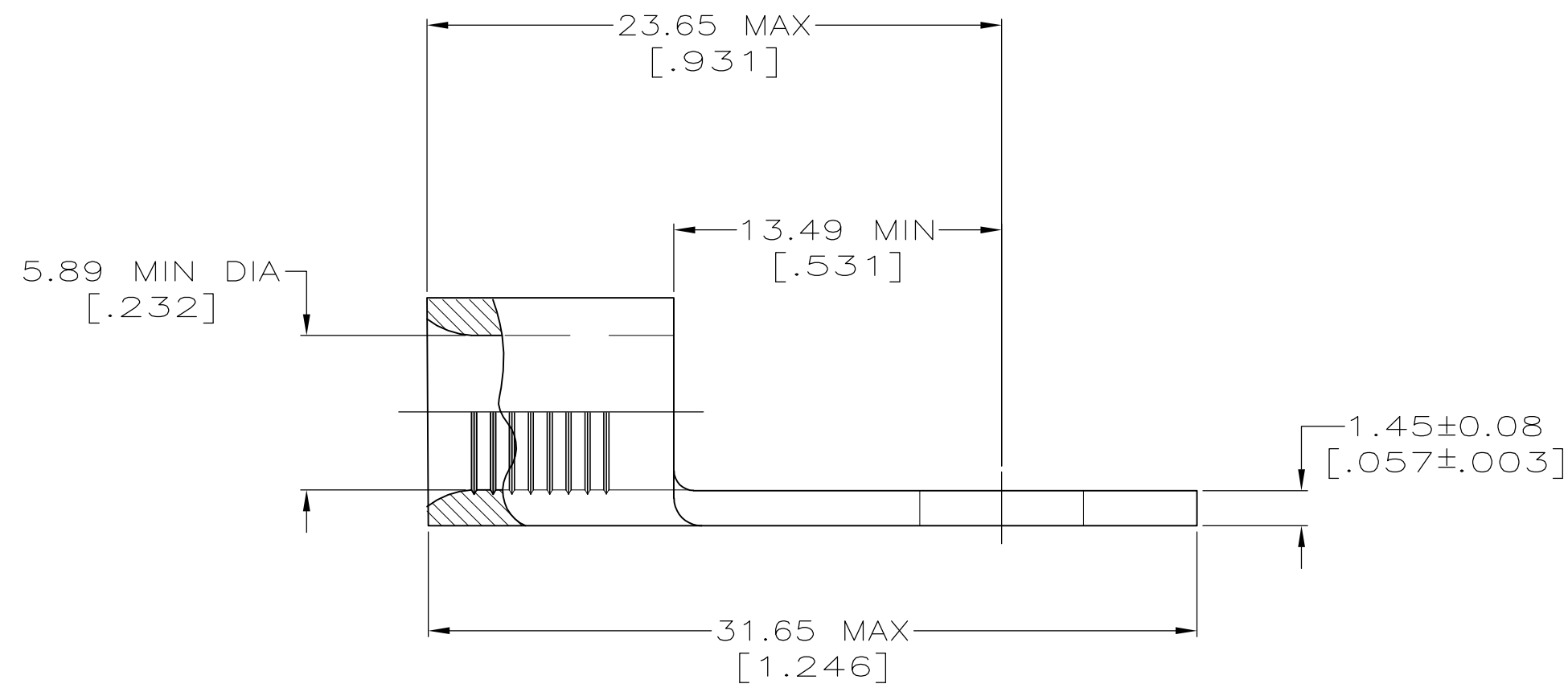
LOC	DIST	REVISIONS					
		P	LTR	DESCRIPTION	DATE	DWN	APVD
G	14	A		REL PER ECR 08-029837	03DEC08	JR	TM



AMP
WIRE RANGE

6 AWG
STRANDED

- ① STAMP AMP 6* APPROX AS SHOWN
- ② MATERIAL: BODY - CU PER ASTM B152, ANNEALED
- ③ FINISH: NICKEL PLATE 0.00762 [.000300] MIN THK PER QQ-N-290.



100	LOOSE PIECE	1958285-1
QTY	PACKAGE TYPE	PART NO.

AMP INCORPORATED CUSTOMER SERVICE SYSTEMS		MAX RECOMMENDED OPERATING TEMPERATURE: 343°C MAX	THIS DRAWING IS A CONTROLLED DOCUMENT.		DWN JR RUTH 05NOV08	Tyco Electronics Tyco Electronics Corporation Harrisburg, PA 17105-3608		
FOR ADDITIONAL PRODUCT INFORMATION OR COPIES OF DRAWINGS AND TECHNICAL DOCUMENTS	PRODUCT INFORMATION CENTER 1-800-522-6752	VOLTAGE RATING: N/A	DIMENSIONS: MM [INCHES]	TOLERANCES UNLESS OTHERWISE SPECIFIED:	CHK T MICHIELUTTI 05NOV08			
FOR APPLICATION TOOLING INFORMATION	TOOLING ASSISTANCE CENTER 1-800-722-1111	CIRCULAR MIL AREA: 10.5-16.8mm² [20,800-33,100] STRANDED		0 PLC ± - 1 PLC ± - 2 PLC ± - 3 PLC ± - 4 PLC ± - ANGLES ± -	APVD T MICHIELUTTI 05NOV08	NAME TERMINAL, RING TONGUE, SOLISTRAND		
FOR ORDER ENTRY	1-800-526-5142	THIS DRAWING IS A CONTROLLED DOCUMENT FOR AMP INCORPORATED. IT IS SUBJECT TO CHANGE AND THE CONTROLLING ENGINEERING ORGANIZATION SHOULD BE CONTACTED FOR THE LATEST REVISION.		MATERIAL - ②	FINISH - ③		PRODUCT SPEC - APPLICATION SPEC -	SIZE A2
					WEIGHT -	CAGE CODE 00779	DRAWING NO C=1958285	RESTRICTED TO -
CUSTOMER DRAWING					SCALE 4:1	SHEET 1 of 1	REV A	

1958285

单击下面可查看定价，库存，交付和生命周期等信息

[>>TE Connectivity\(泰科\)](#)