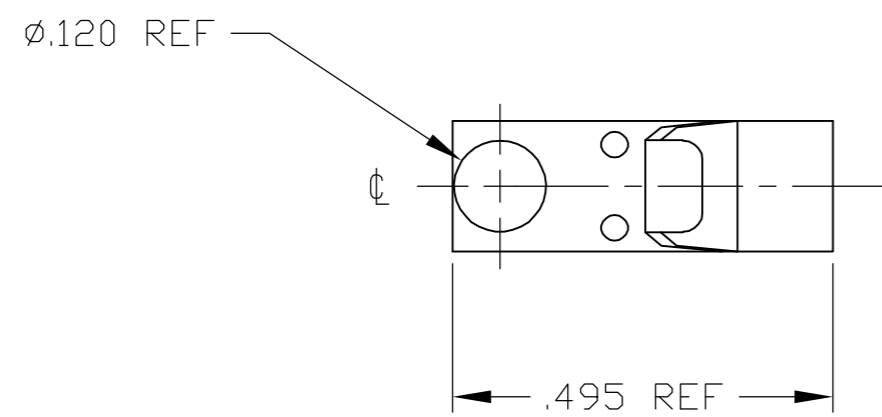
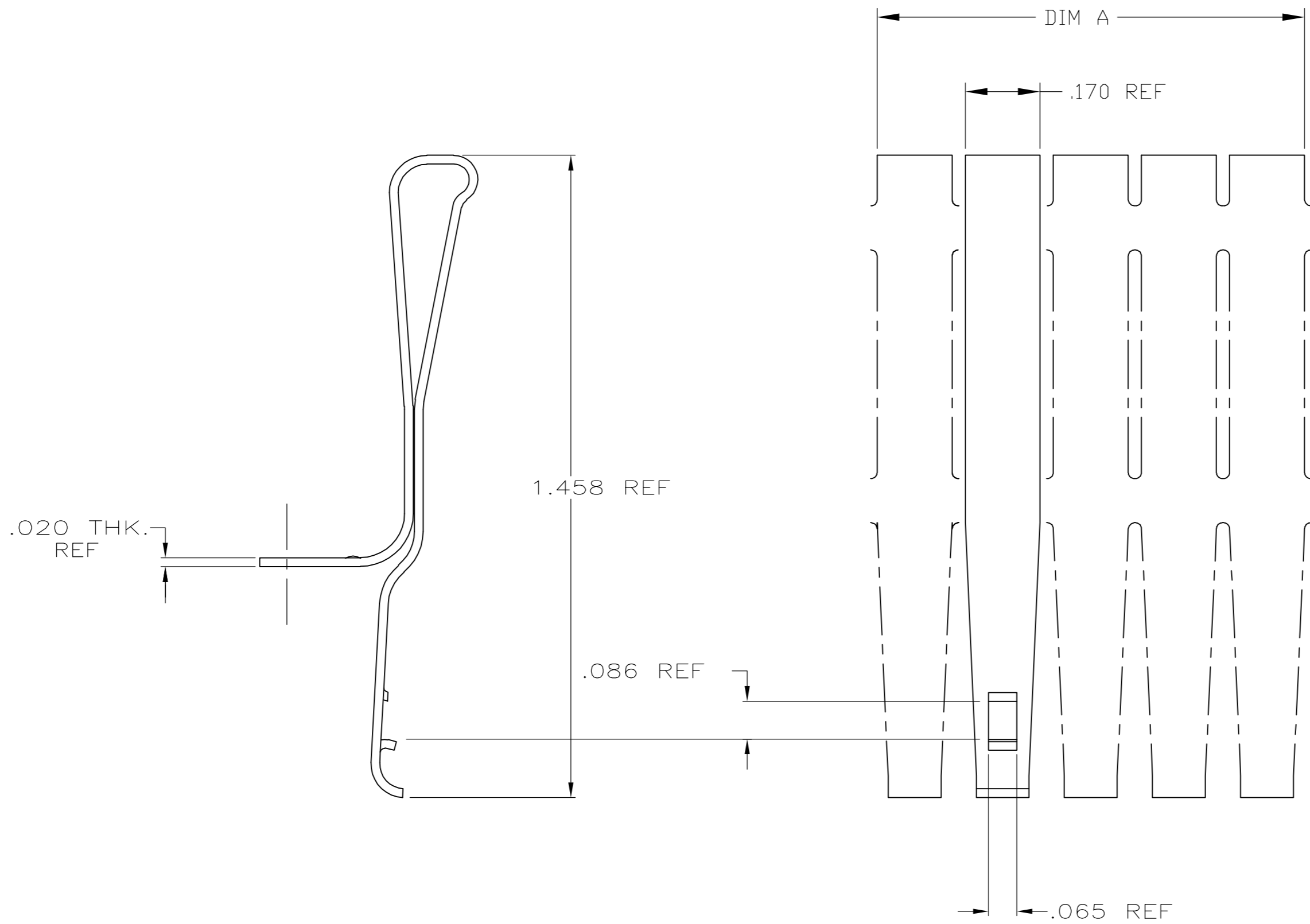


THIS DRAWING IS UNPUBLISHED. RELEASED FOR PUBLICATION
 © COPYRIGHT BY TYCO ELECTRONICS CORPORATION. ALL RIGHTS RESERVED.

| LOC | | DIST | | REVISIONS | | | |
|-----|-----|-------------|--|-----------------------|---------|------|----|
| P | LTR | DESCRIPTION | | DATE | DWN | APVD | |
| DF | A0 | E | | REV PER ECO 07-004450 | 3-15-07 | CT | ND |



| | | |
|----------|-------|----------|
| OBSOLETE | .970 | 213388-5 |
| OBSOLETE | .770 | 213388-4 |
| OBSOLETE | .570 | 213388-3 |
| OBSOLETE | .370 | 213388-2 |
| | .170 | 213388-1 |
| | DIM A | PART NO. |

| | | | | | |
|--------------------------------------------------------------------------------|--|------------------|------------------|-----------------------------------------------------------|----------|
| THIS DRAWING IS A CONTROLLED DOCUMENT. | | DWN | 2-26-88 | Tyco Electronics Corporation Harrisburg, PA 17105-3608 | |
| DIMENSIONS: INCHES | | CHK | 3-8-88 | | |
| TOLERANCES UNLESS OTHERWISE SPECIFIED: | | APVD | 3-8-88 | | |
| 0 PLC ± - 1 PLC ± - 2 PLC ± - 3 PLC ± .015 4 PLC ± - ANGLES ± - | | NAME | SPRING LATCH,WIU | | |
| MATERIAL: STAINLESS STEEL | | FINISH | PASSIVATED | SIZE | A2 |
| | | WEIGHT | - | CAGE CODE | 00779 |
| | | CUSTOMER DRAWING | | DRAWING NO | C=213388 |
| | | SCALE | 4:1 | SHEET | 1 of 1 |
| | | RESTRICTED TO | - | REV | E |

单击下面可查看定价，库存，交付和生命周期等信息

[>>TE Connectivity\(泰科\)](#)