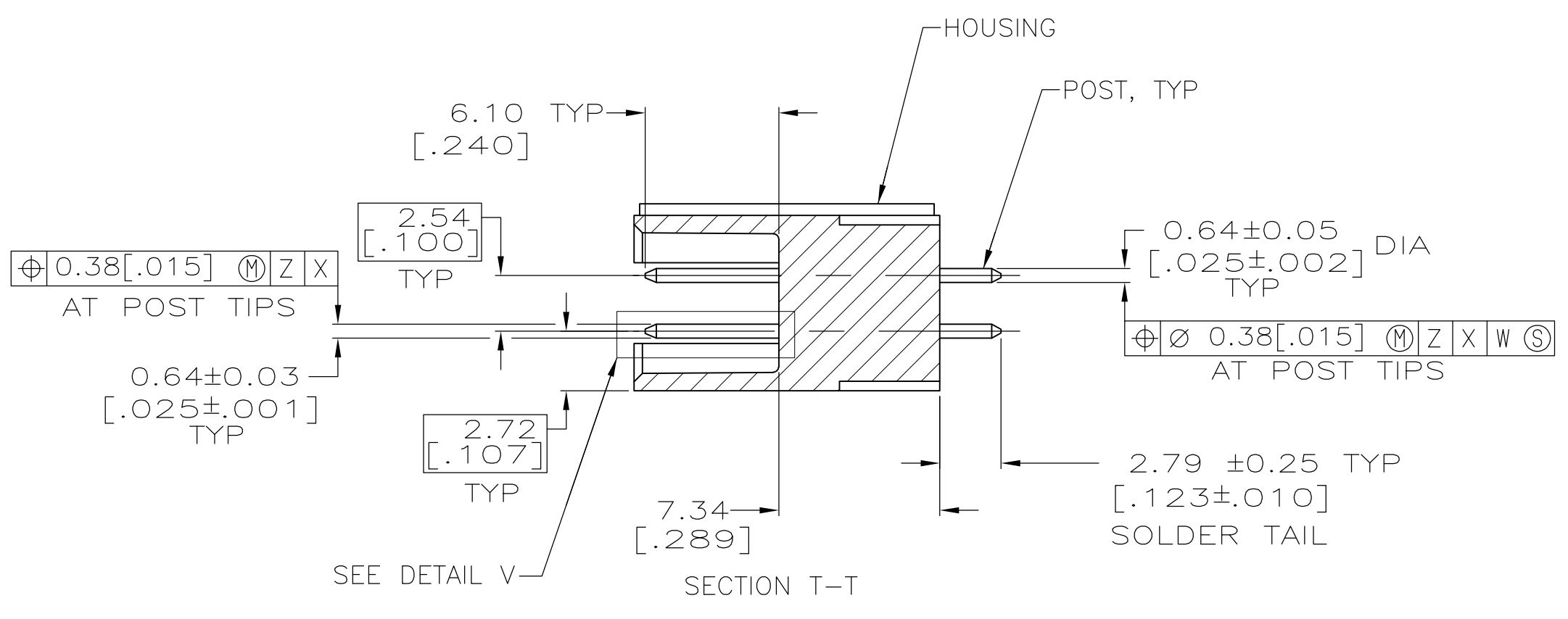
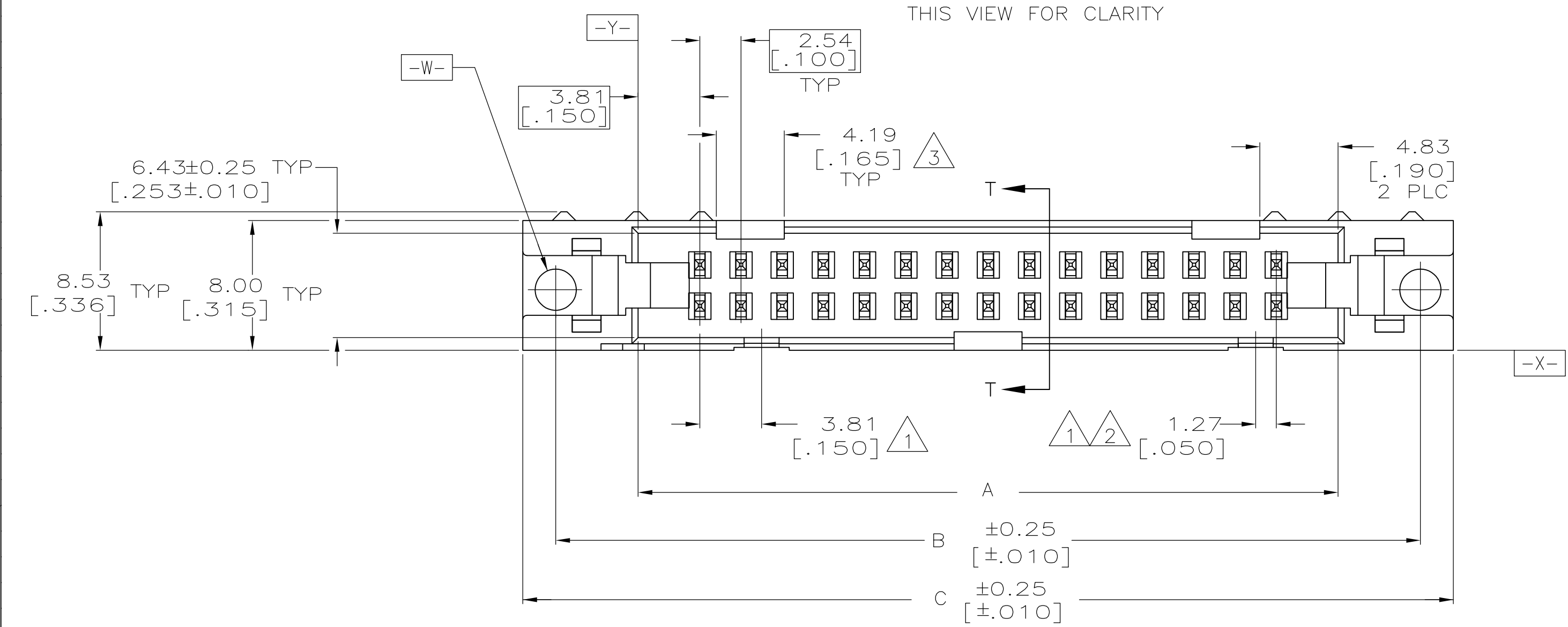
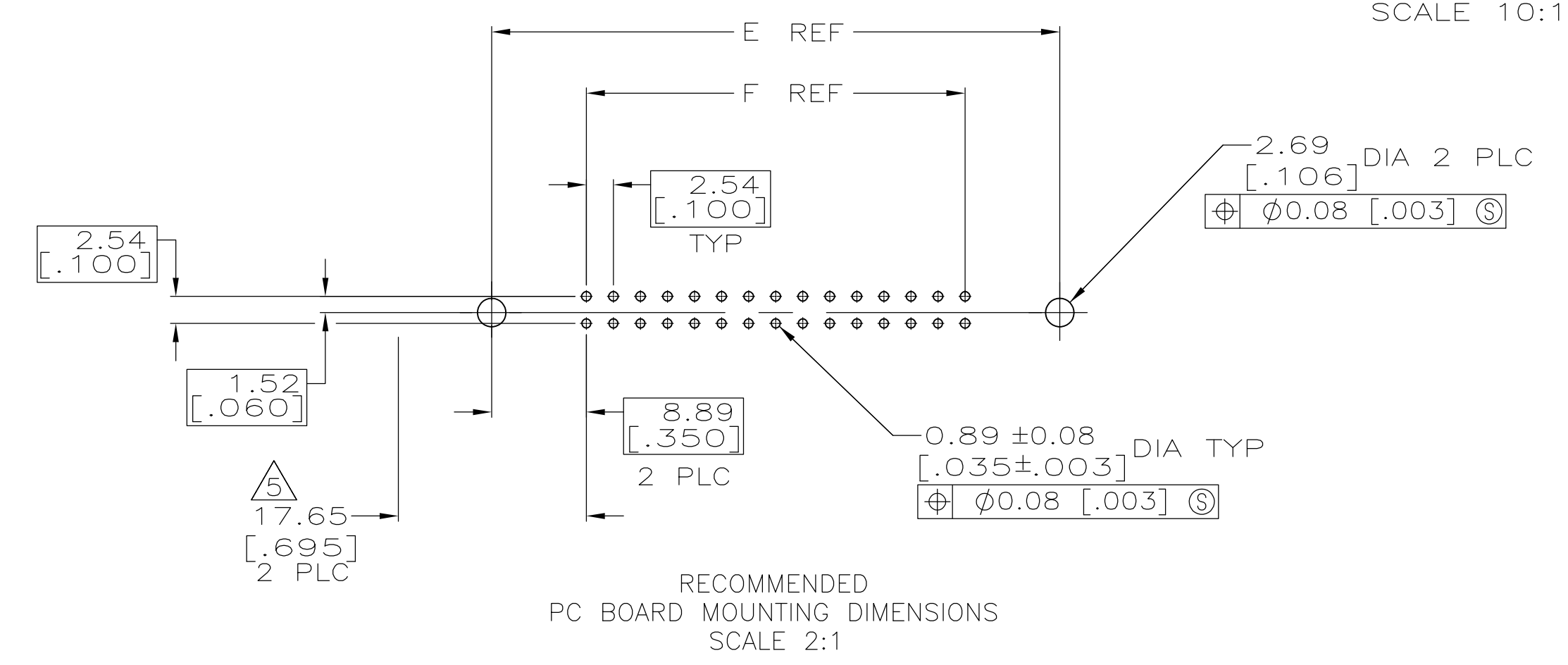
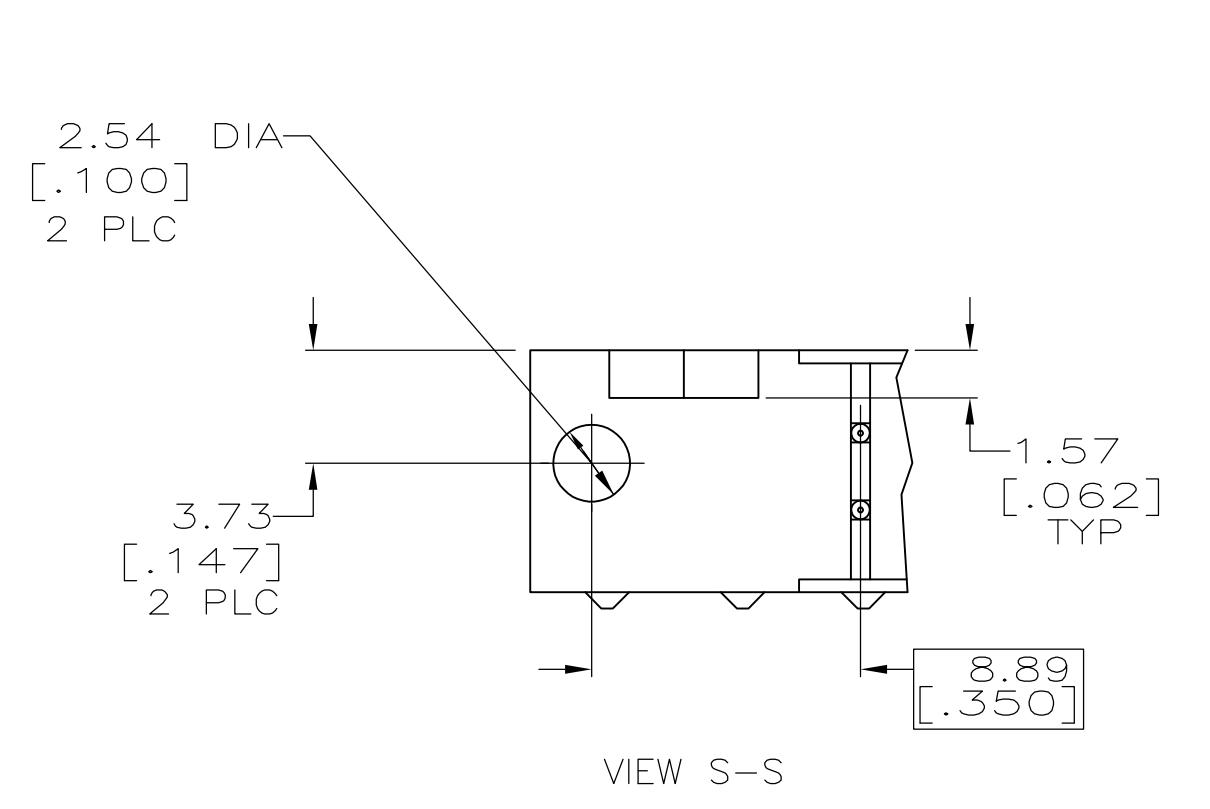
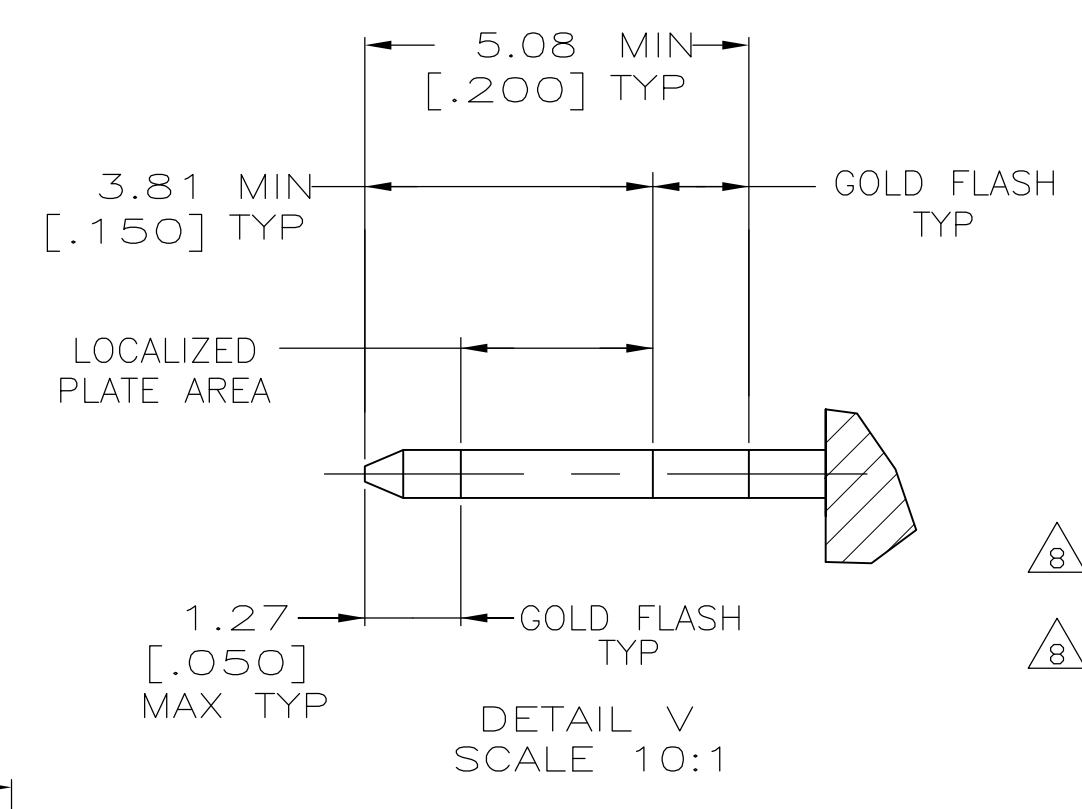
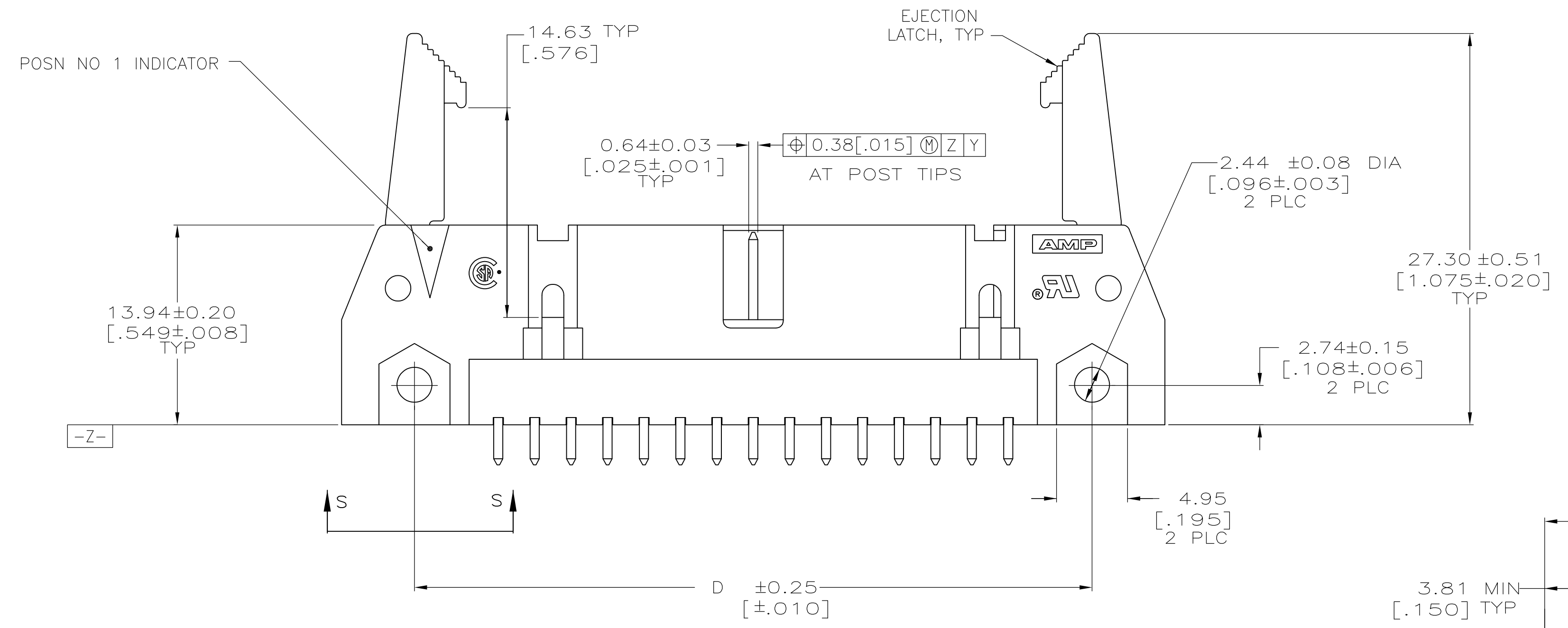


EJECTION LATCHES OMITTED IN THIS VIEW FOR CLARITY



- △1 COORDINATE DIMENSION APPLIES FROM BASIC LOCATION.
- △2 10 AND 14 POSITION SIZES CONTAIN ONLY ONE SLOT FOR SNAP-IN POLARIZER (MILITARY POLARIZATION) LOCATED AS SHOWN.
- △3 10 POSITION SIZES CONTAIN ONLY ONE SLOT FOR DUAL POLARIZATION, LOCATED AS SHOWN.
- 4. RECOMMENDED PRINTED CIRCUIT BOARD THICKNESS IS 1.57 [.062].
- △5 DISTANCE REQUIRED BY EJECTION LATCHES IN THE OPEN POSITION.
- △6 POSTS:
 GOLD FLASH OVER PALLADIUM-NICKEL PLATE, 0.38μm [.000015] MIN TOTAL ON THE LOCALIZED PLATE AREA,
 2.54μm [.000100] MIN TIN-LEAD PLATE ON THE SOLDER-TAIL,
 1.27μm [.000050] MIN NICKEL UNDERPLATE ON THE ENTIRE POST.
 OR
 0.38μm [.000015] MIN GOLD PLATE ON THE LOCALIZED PLATE AREA,
 2.54μm [.000100] MIN TIN-LEAD PLATE ON THE SOLDER-TAIL,
 1.27μm [.000050] MIN NICKEL UNDERPLATE ON THE ENTIRE POST.
- △7 MATERIAL:
 HOUSING: GLASS FILLED NYLON OR POLYESTER, 94V-0 RATED, BLACK.
 POSTS: PHOSPHOR BRONZE OR BRASS
- △8 OBSOLETE PARTS: OBSOLETE CIS STREAMLINING PER D.RENAUD/D.SINISI



△8	SUPERSEDED	60.96	78.74	72.64	82.80	78.74	68.58	50	1-1364106-0
		[2.400]	[3.100]	[2.860]	[3.260]	[3.100]	[2.700]		
△8	SUPERSEDED	60.96	78.74	72.64	82.80	78.74	68.58	50	1-1364106-0
		[2.400]	[3.100]	[2.860]	[3.260]	[3.100]	[2.700]		
		35.56	53.34	47.24	57.40	53.34	43.18	30	1364106-7
		[1.400]	[2.100]	[1.860]	[2.260]	[2.100]	[1.700]		
		30.48	48.26	42.16	52.32	48.26	38.10	26	1364106-6
		[1.200]	[1.900]	[1.660]	[2.060]	[1.900]	[1.500]		
		22.86	40.64	34.54	44.70	40.64	30.48	20	1364106-4
		[.900]	[1.600]	[1.360]	[1.760]	[1.600]	[1.200]		
△8	SUPERSEDED	15.24	33.02	26.92	37.08	33.02	22.86	14	1-1364106-2
		[.600]	[1.300]	[1.060]	[1.460]	[1.300]	[.900]		
	OBSOLETE	10.16	27.94	21.84	32.00	27.94	17.78	10	1364106-1
		[.400]	[1.100]	[.860]	[1.260]	[1.100]	[.700]		
		F	E	D	C	B	A	NO OF POSN	PART NUMBER

THIS DRAWING IS A CONTROLLED DOCUMENT.

DIMENSIONS: mm [INCHES]

TOLERANCES UNLESS OTHERWISE SPECIFIED:

0 PLC	±	-
1 PLC	±	-
2 PLC	±	0.13[.005]
3 PLC	±	-
4 PLC	±	-
ANGLES	±	-

MATERIAL: △7 FINISH: △6

THIS DRAWING IS A CONTROLLED DOCUMENT.

DIN M.MORRIS 03NOV99 Tyco Electronics Corporation
 CHK S.BOLASH 03NOV99 Harrisburg, PA 17105-3608

PRODUCT SPEC: 108-40018
 APPLICATION SPEC: -

SIZE: A1 CASE CODE: 00779 DRAWING NO: 1364106
 WEIGHT: -

CUSTOMER DRAWING SCALE: 4:1 SHEET: 1 OF 1 REV: H

单击下面可查看定价，库存，交付和生命周期等信息

[>>TE Connectivity\(泰科\)](#)