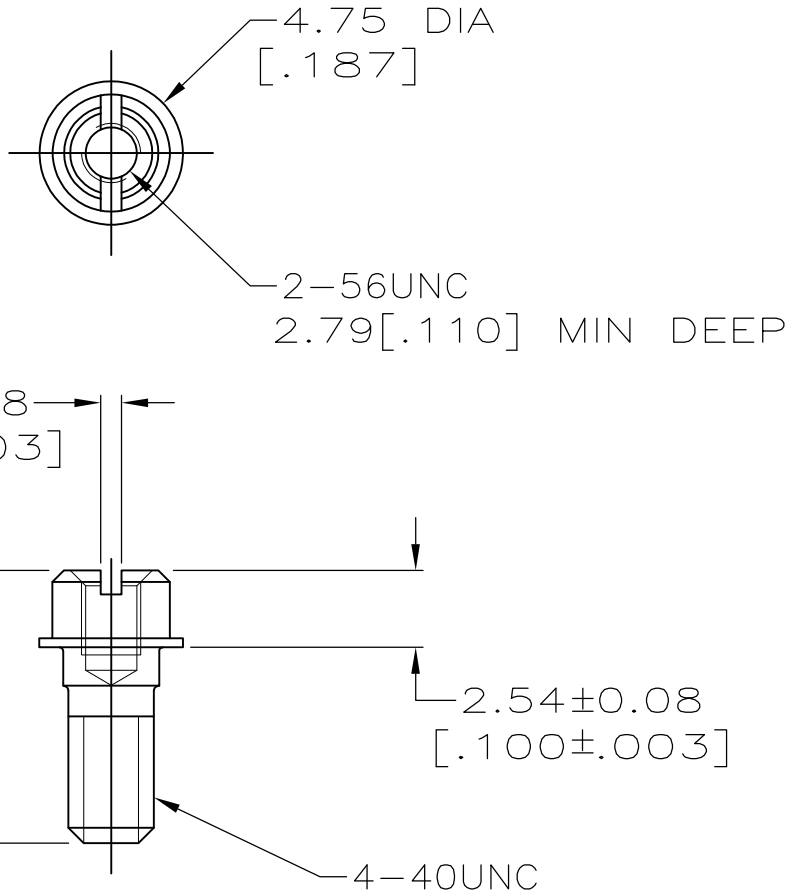


LOC	DIST	REVISIONS					
GP	00	P	LTR	DESCRIPTION	DATE	DWN	APVD
			D3	REVISED PER ECO-11-004835	11MAR11	RK	HMR

1 OBSOLETE PARTS: OBSOLETE CIS STREAMLINING PER D.RENAUD/D.SINISI



OBSOLETE	-	-	<del>750644-3</del> 1
OBSOLETE	BULK	1000	750644-2
	INDIVIDUALLY	2	750644-1
	PACKAGING TYPE	QTY	PART NO

RELEASED FOR PUBLICATION

ALL RIGHTS RESERVED.

THIS DRAWING IS UNPUBLISHED.

By -  
COPYRIGHT -

DIMENSIONS: INCHES	DWN	J McCLINTON	12-13-90	MATERIAL	STAINLESS STEEL	FINISH	-				
	CHK	R.STONE	1-14-91								
TOLERANCES UNLESS OTHERWISE SPECIFIED:	APVD	-	-					TE Connectivity			
0 PLC ± -	PRODUCT SPEC	-	-	NAME							
1 PLC ± -	APPLICATION SPEC	-	-	SCREWLOCK KIT, FEMALE, UNASSEMBLED, AMPLIMITE™ .050 SERIES							
2 PLC ± 0.13[.005]	WEIGHT	-	-	SIZE	A4	CAGE CODE	00779	DRAWING NO	C-750644	RESTRICTED TO	-
3 PLC ± -	CUSTOMER DRAWING		SCALE	4:1	SHEET	1 OF 1	REV	D3			
4 PLC ± -											
ANGLES ± -											

单击下面可查看定价，库存，交付和生命周期等信息

[>>TE Connectivity\(泰科\)](#)