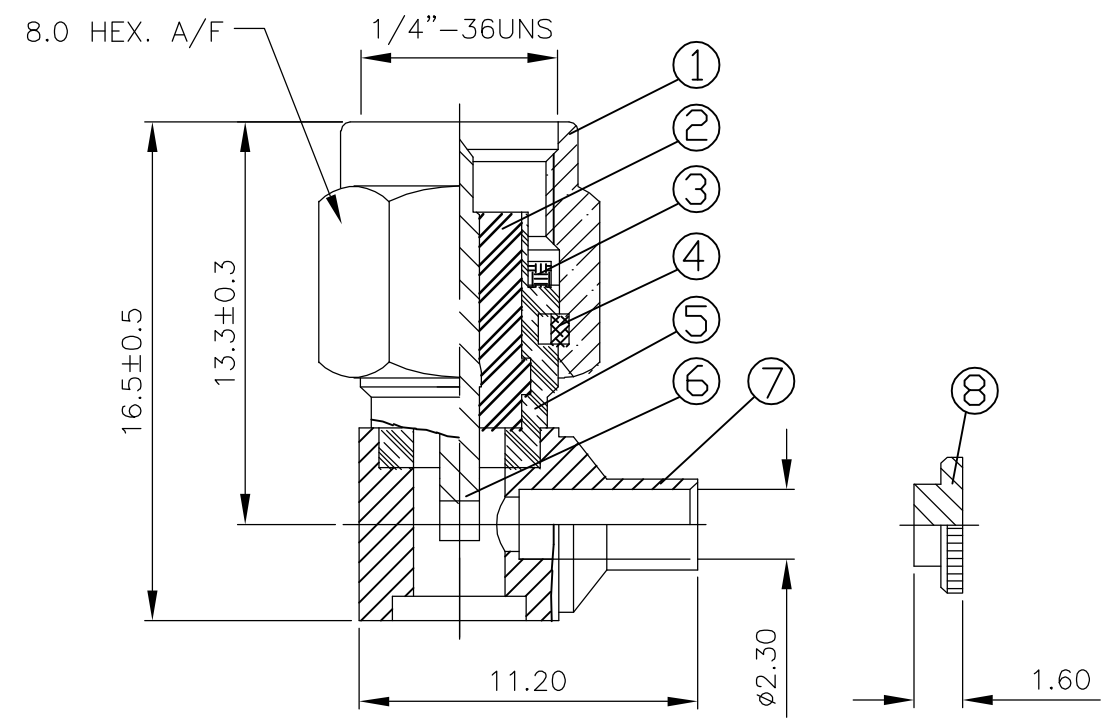
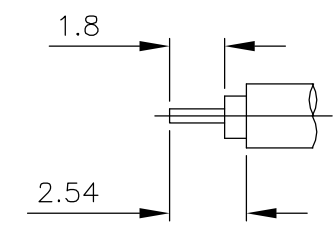


THIS DRAWING IS UNPUBLISHED. RELEASED FOR PUBLICATION APRIL, 2004.
 © COPYRIGHT 2004 BY TYCO ELECTRONICS CORPORATION. ALL RIGHTS RESERVED.

LOC	DIST	REVISIONS					
		P	LTR	DESCRIPTION	DATE	DWN	APVD
E	B		A	EBD0-0035-03	09FEB04	RS	FWK

- NOTES:
- ① SINGLE PACK IN ACCORDANCE WITH SPEC 107-3275
 - ② 100 TRAY PACK IN ACCORDANCE WITH SPEC 107-3275
 - ③ 0.08μm Au PLATING OVER 1.27μm Ni PLATING
 - ④ 0.08μm Au PLATING OVER 1.27μm Ni PLATING OVER 0.76μm Cu PLATING
 - ⑤ 0.76μm Au PLATING OVER 1.27μm Ni PLATING OVER 0.76μm Cu PLATING
 - ⑥ PASSIVATED (GOLD PLATED CABLE ENTRY)
 - 7 FOR TECHNICAL DATA REFER TO YOUR LOCAL TYCO ELECTRONICS SALES OFFICE
 - 8 ALL DIMENSIONS ARE NOMINAL FOR REFERENCE ONLY UNLESS OTHERWISE STATED

RECOMMENDED CABLE STRIPPING DIM'S



QTY	1	2	3	4	5	6	7	8	MATERIAL	DESCRIPTION	ITEM
	1	1	-	-	-	-	-	-	BRASS	④ CAP	8
	-	-	1	1	-	-	-	-	STAINLESS STEEL	⑥ CAP	8
	-	-	-	-	1	1	-	-	STAINLESS STEEL	③ CAP	8
	1	1	-	-	-	-	-	-	BRASS	④ CHASSIS	7
	-	-	1	1	-	-	-	-	STAINLESS STEEL	⑥ CHASSIS	7
	-	-	-	-	1	1	-	-	STAINLESS STEEL	③ CHASSIS	7
	1	1	1	1	1	1	1	1	BRASS	⑤ CENTER CONTACT	6
	1	1	-	-	-	-	-	-	BRASS	④ BODY	5
	-	-	1	1	-	-	-	-	STAINLESS STEEL	⑥ BODY	5
	-	-	-	-	1	1	-	-	STAINLESS STEEL	③ BODY	5
	1	1	1	1	1	1	1	1	STAINLESS STEEL	CIRCLIP	4
	1	1	1	1	1	1	1	1	SILICON	GASKET	3
	1	1	1	1	1	1	1	1	PTFE	INSULATOR	2
	1	1	-	-	-	-	-	-	BRASS	④ SHELL	1
	-	-	1	1	-	-	-	-	STAINLESS STEEL	⑥ SHELL	1
	-	-	-	-	1	1	-	-	STAINLESS STEEL	③ SHELL	1
	3--1	3--0	2--1	2--0	1--1	1--0			MATERIAL	DESCRIPTION	ITEM
	②	①	②	①	②	①					

THIS DRAWING IS A CONTROLLED DOCUMENT.		DWN R.SMITH 09FEB04	Tyco Electronics Corporation Bideford, UK, EX39 4HE			
DIMENSIONS: mm		CHK S.PARLOW 09FEB04				
TOLERANCES UNLESS OTHERWISE SPECIFIED:		APVD F.WHEELER-KING 09FEB04	NAME SMA RIGHT ANGLE PLUG DIRECT SOLDER CAPTIVE CONTACT RG405/U			
0 PLC ± - 1 PLC ± - 2 PLC ± - 3 PLC ± - 4 PLC ± - ANGLES ± - FINISH -		PRODUCT SPEC 108-3460	SIZE A3	CAGE CODE 00779	DRAWING NO C-1478906	RESTRICTED TO -
MATERIAL SEE TABLE		APPLICATION SPEC 411-3276	SCALE 1:1		SHEET 1 OF 1	REV A
		WEIGHT -	CUSTOMER DRAWING			

单击下面可查看定价，库存，交付和生命周期等信息

[>>TE Connectivity\(泰科\)](#)