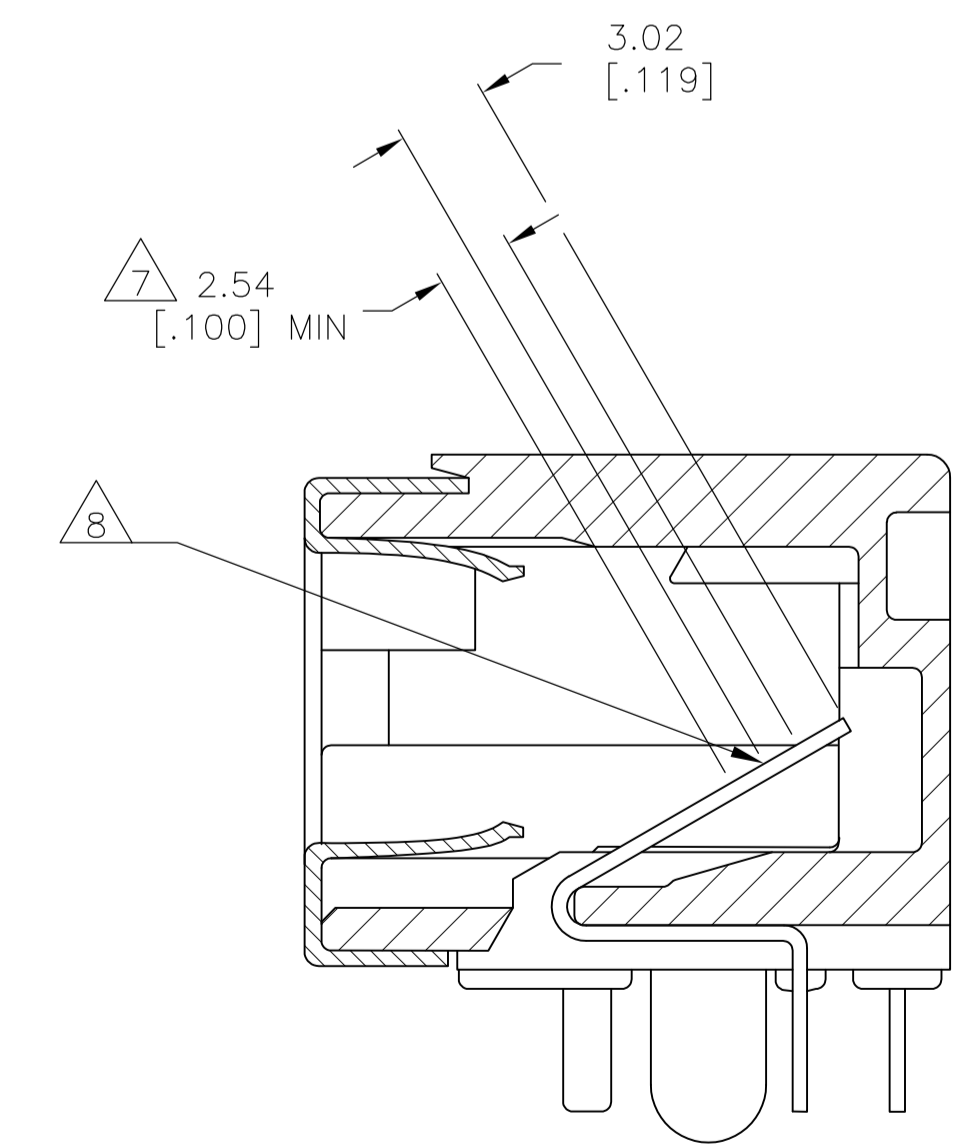
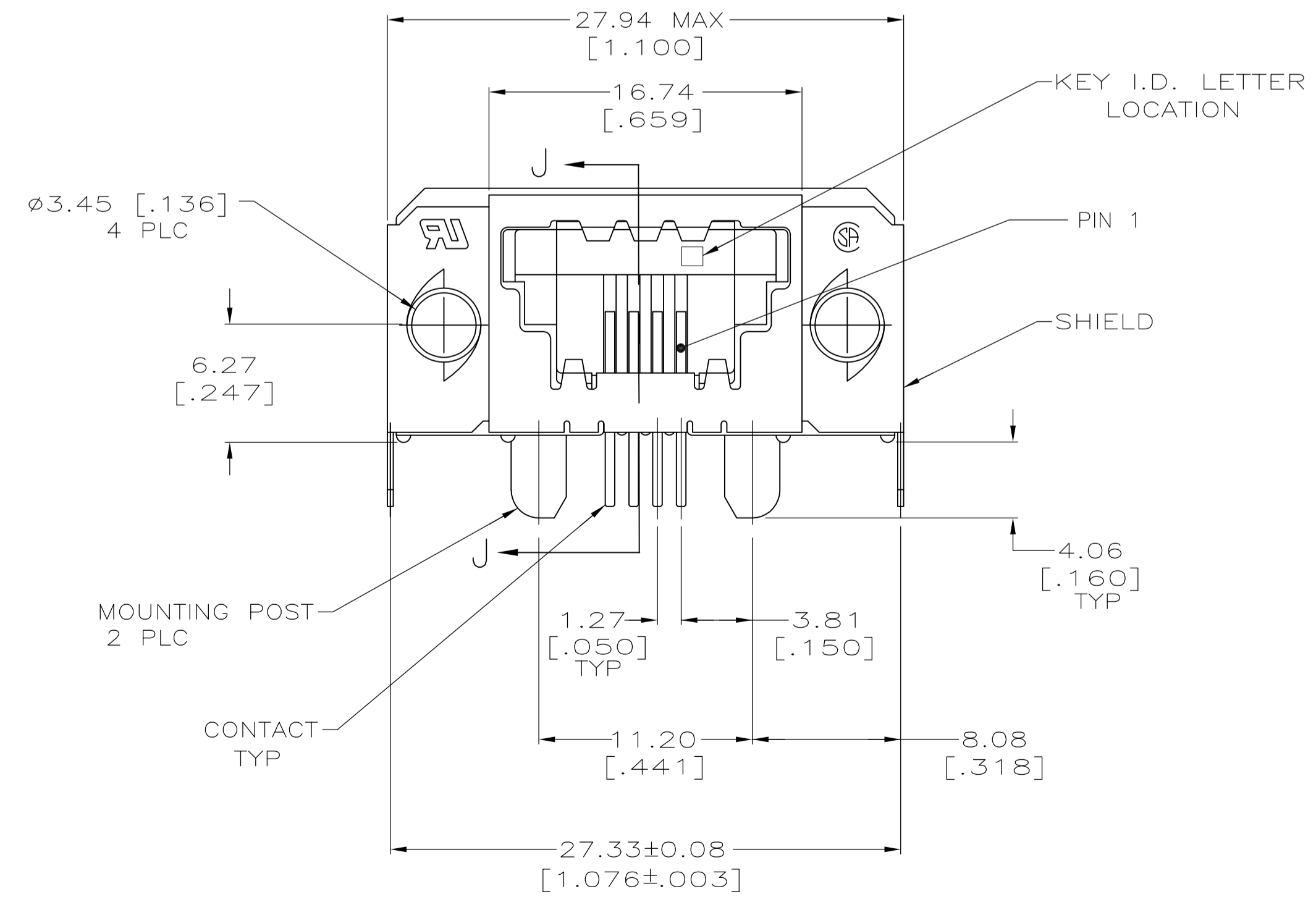
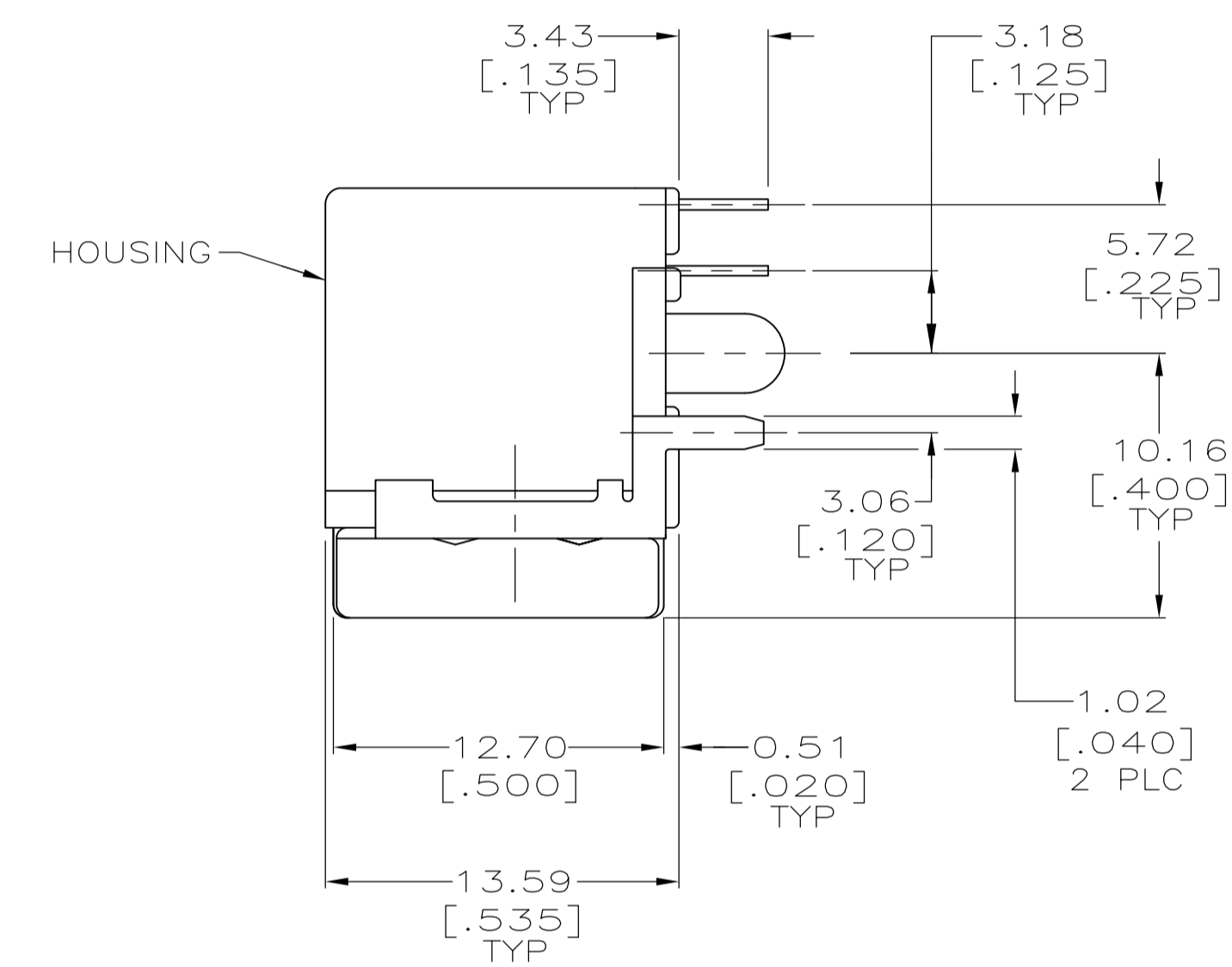
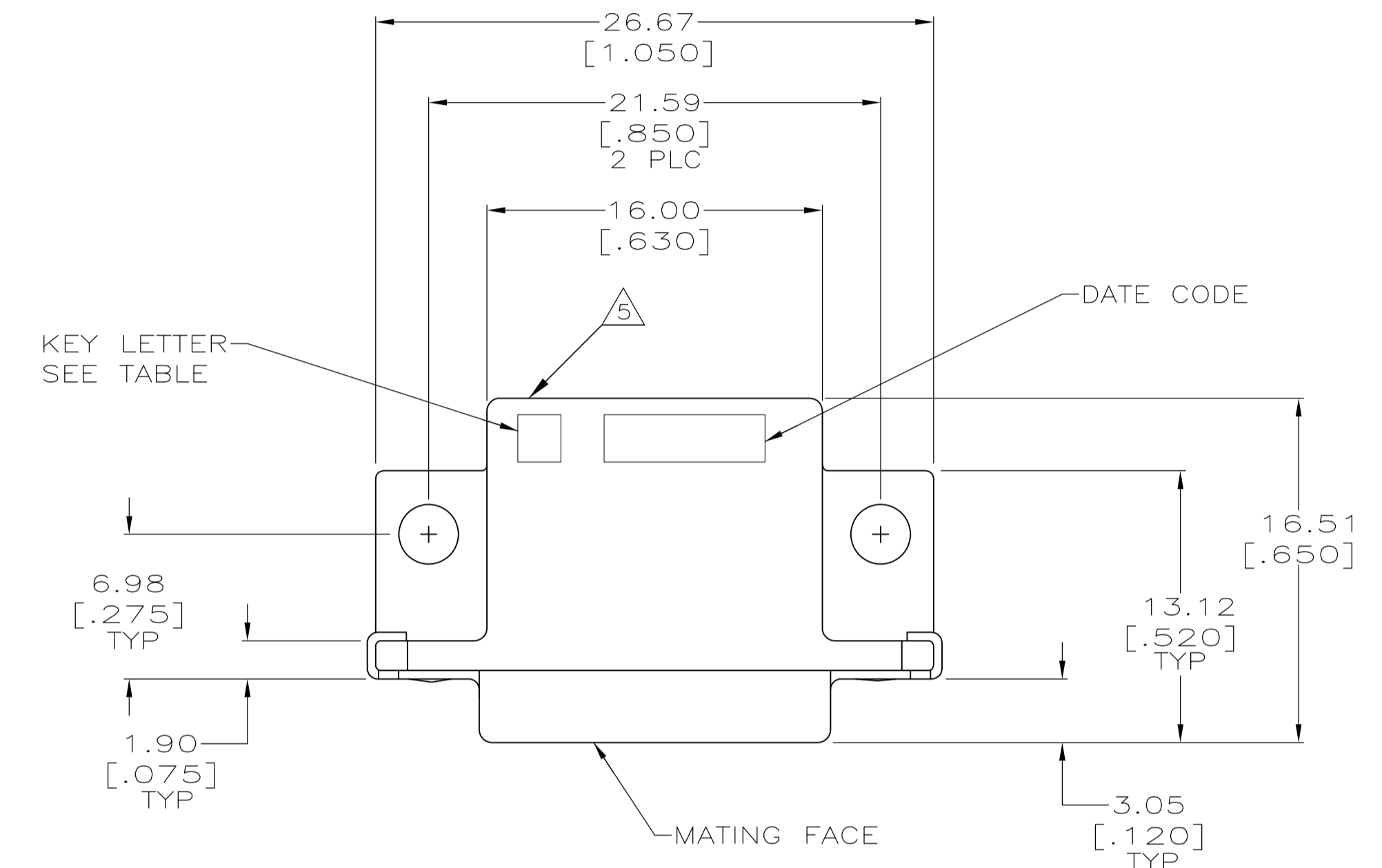


1. PREFIX AND SUFFIX NUMBERS MUST MATCH THOSE ON PLUG ASSEMBLY FOR PARTS TO MATE.
2. POLYESTER, FLAME RETARDANT, UL 94V-0 RATED, GLASS FILLED, BLACK.
3. 3.81µm [.000150] MIN BRIGHT TIN OVER 1.27µm [.000050] MIN NICKEL.
4. 1.27µm [.000050] MIN GOLD ON MATING SURFACE FOR A LENGTH OF 2.54 [.100] MIN, 3.81µm [.000150] MIN MATTE TIN ON OPPOSITE END FOR A LENGTH OF 3.81 [.150] MIN, BOTH OVER 1.27µm [.000050] MIN NICKEL ON ENTIRE CONTACT.
5. NUMBERS 13, 14, 15, 16 OR LETTER P TO APPEAR ON LOWER RIGHT REAR OF HOUSING IN AREA INDICATED.
6. PACKAGE IN TUBES.
7. DIMENSION INDICATES CONTACT MATING AREA.
8. PLATING MEASUREMENT POINT.



OBSOLETE	E	5-1761195-1
	A	1-1761195-1
KEY I.D. LETTER		PART NO

THIS DRAWING IS A CONTROLLED DOCUMENT. DIMENSIONING AND TOLERANCING PER ASME Y14.5M-2009.

DIMENSIONS:	TOLERANCES UNLESS OTHERWISE SPECIFIED:	DIN B MCMASIER 18FEB04	TE Connectivity
mm [INCHES]	0 PLC ± -	CIK C ROHDE 30APR04	
	1 PLC ± -	APVD M WALMSLEY 30APR04	NAME
	2 PLC ± -		RECEPTACLE ASSEMBLY, 4 POSITION, SIDE ENTRY WITH GROUND, SDL
	3 PLC ± 0.38 [.015]		PRODUCT SPEC
	4 PLC ± -		108-2047
	ANGLES ± -		APPLICATION SPEC
			114-2081
MATERIAL	FINISH	WEIGHT	SIZE CAGE CODE DRAWING NO
			A1 00779 C=1761195
		CUSTOMER DRAWING	RESTRICTED TO
			SCALE 4:1 SHEET 1 OF 1 REV B

单击下面可查看定价，库存，交付和生命周期等信息

[>>TE Connectivity\(泰科\)](#)