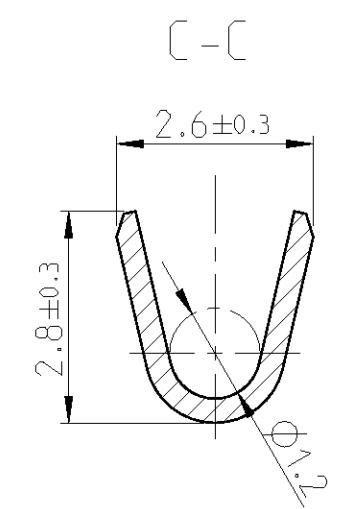
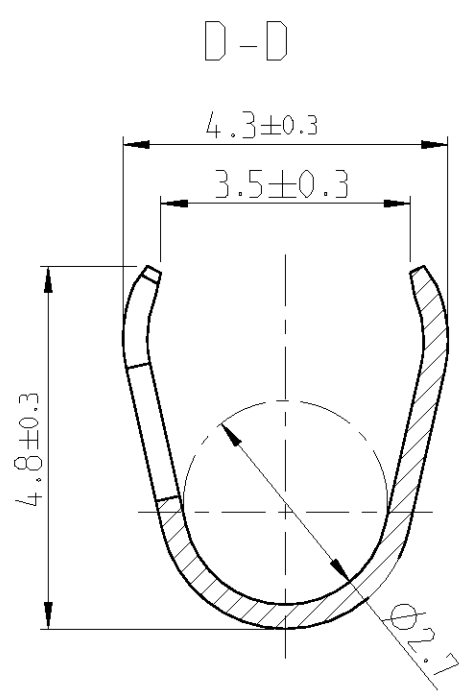
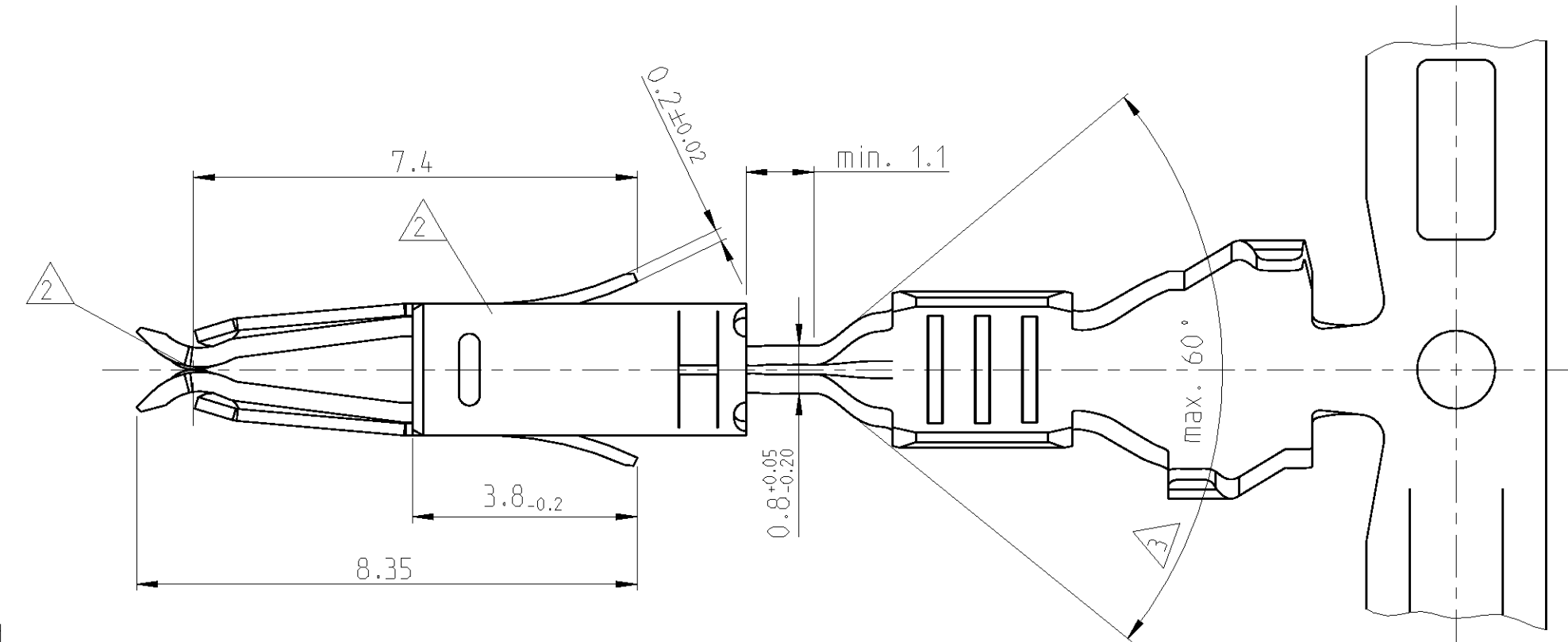
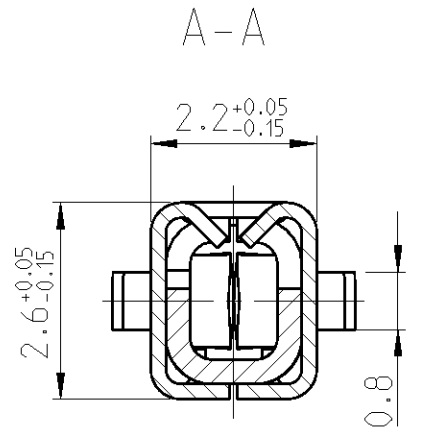
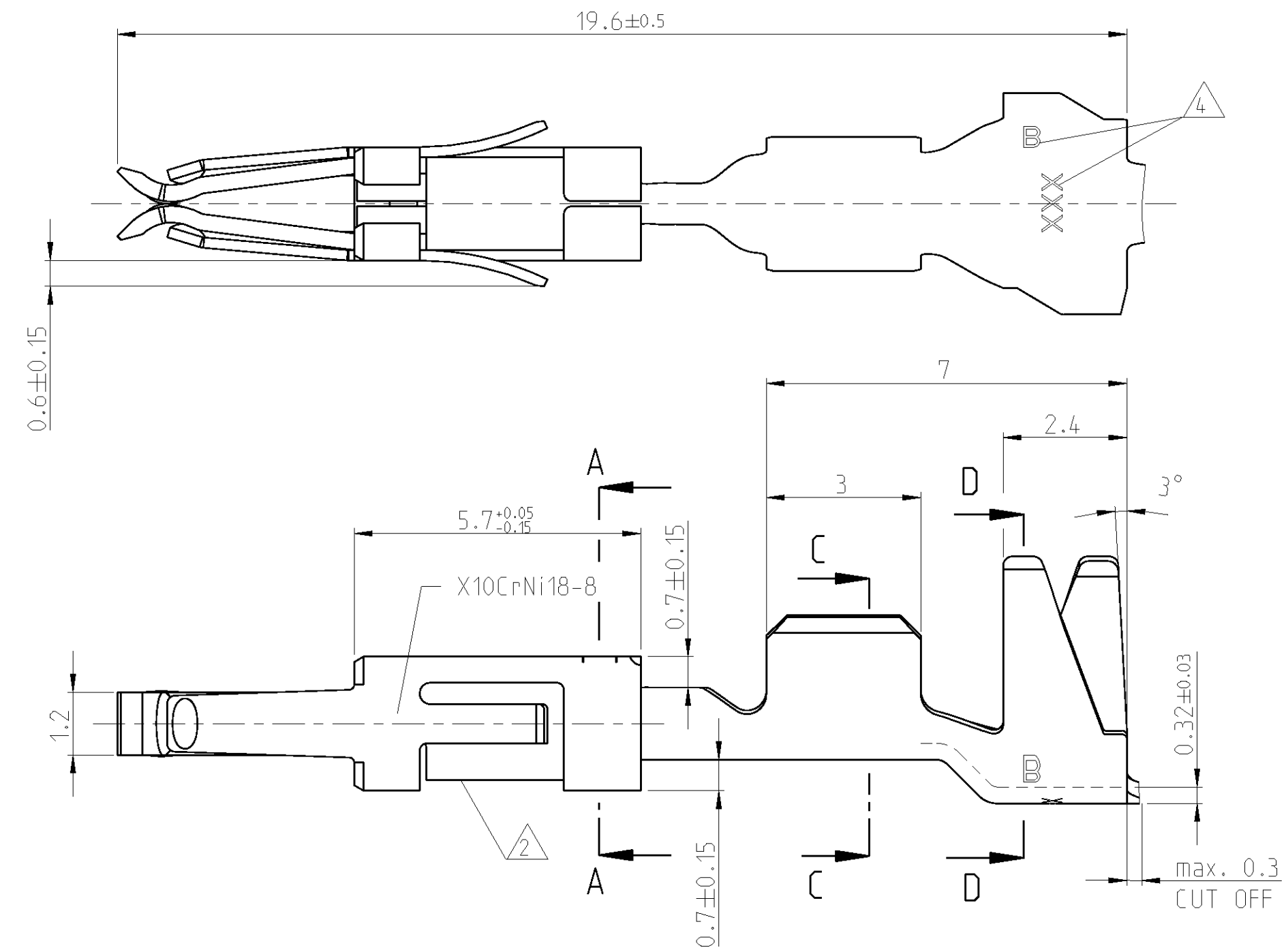


THIS DRAWING IS UNPUBLISHED. RELEASED FOR PUBLICATION 2011
 © COPYRIGHT 2011 Tyco Electronics AMP GmbH ALL RIGHTS RESERVED.

REVISIONS							
LOC	DIST	P	LTR	DESCRIPTION	DATE	DWN	APVD
A1	-						
		B1		Zeichnung ueberarbeitet. "vortlaufend" entfernt	24MAR1997	Bers	-
		B2		Verarbeitungshinweis ergaenzt	09JUN1997	Schae	-
		B3		Dimple angepasst	05MAY2006	Abr	-
		B4		NEW PROE DRAWING, Part 968015-6 obsolete	08JUN2011	Kirs.	Mair.



NOTES:
Bemerkungen:

- 1 CONTACT BODY ALLAROUND TINNED MIN. 0.8µm
Kontaktkoerper allseitig verzinkt min. 0.8µm
SPRING PLAIN
Ueberfeder blank
- 2 CONTACT BODY GALV. NICKEL MIN. 0.2µm
Kontaktkoerper galv. vernickelt min. 0.2µm
PREFORMED CONTACT AREA OUTSIDE GALV. GOLD MIN. 0.8µm
OVER GALV. NICKEL MIN. 1.3µm
vorgeformte Kontaktzone aussen galv. vergoldet min. 0.8µm ueber galv. vernickelt min. 1.3µm
PREFORMED CONTACT AREA INSIDE GALV. TINNED MIN. 1µm
OVER GALV. NICKEL MIN 1.3µm
vorgeformte Kontaktzone innen galv. verzinkt min. 1µm ueber galv. vernickelt min. 1.3µm
CONTACT BODY OUTSIDE GALV. GOLD MIN. 0.8µm
OVER GALV. NICKEL MIN 1.3µm
Kontaktkoerper aussen galv. vergoldet min. 0.8µm ueber galv. vernickelt min. 1.3µm
WIRE CRIMP ZONE GALV. TINNED MIN. 1µm
Drahtcrimpzone galv. verzinkt min. 1µm
SPRING GALV. GOLD MIN. 0.5µm
Ueberfeder galv. vergoldet min. 0.5µm
- 3 TRANSITION LIES WITHIN THIS ANGLE
MEASURED STARTING FROM NOMINAL DIMENSION
Uebergang liegt innerhalb dieses Winkels
gemessen ab Nennmass
- 4 LETTER FOR REVISION STATE AND COMPANY LOGO
Buchstabe fuer Aenderungsstand und Firmenlogo
- 5 MATED WITH TAB 1.6x0.6
steckbar mit Flachstecker 1.6x0.6
- 6 WIRE RANGE 0.5 - 1.0 mm² FLR
SINGLE WIRE SEAL
INSULATION-Ø 1.4 - 1.9 mm : TE Order-No. 963530-1
INSULATION-Ø 1.9 - 2.1 mm : TE Order-No. 964972-1
Drahtgroessenbereich 0.5 - 1.0 mm² FLR
Isolations-Ø 1.4 - 1.9 mm : TE Order-No. 963530-1
Isolations-Ø 1.9 - 2.1 mm : TE Order-No. 964972-1

968016-2	CuFe2	1	968015-2	B
968016-1	CuSn4	1	968015-1	B
LP NO	MATERIAL		PART NO	REV

DIMENSIONS:		TOLERANCES UNLESS OTHERWISE SPECIFIED:	
mm		0-PLC	±
		1-PLC	±
		2-PLC	±0.2
		3-PLC	±
		4-PLC	±
		ANGLES	±2°
MATERIAL		FINISH	

STE TE Connectivity			
NAME		MICRO-TIMER II CONTACT A	
SIZE	CAGE CODE	DRAWING NO	RESTRICTED TO
A2	00779	968015	-
CUSTOMER DRAWING			SCALE 10:1 SHEET 1 OF 1 REV B4

单击下面可查看定价，库存，交付和生命周期等信息

[>>TE Connectivity\(泰科\)](#)