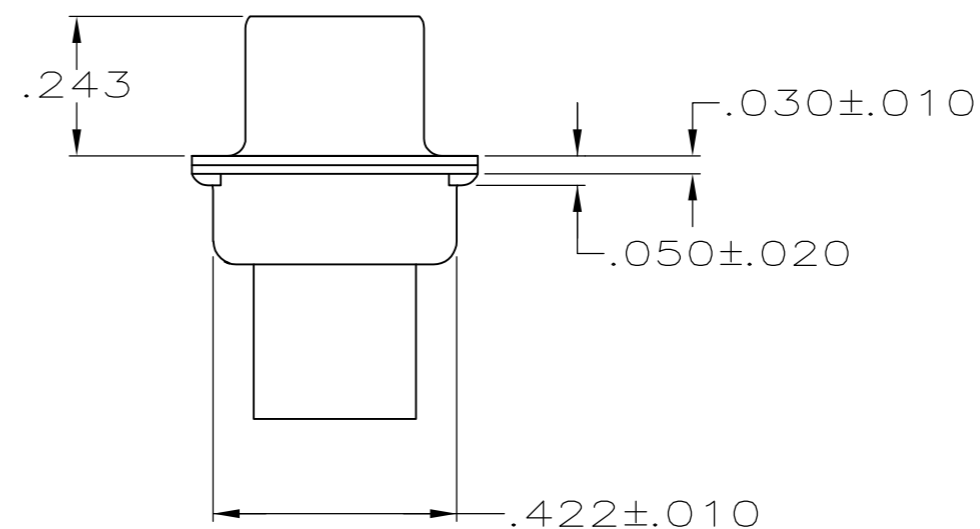
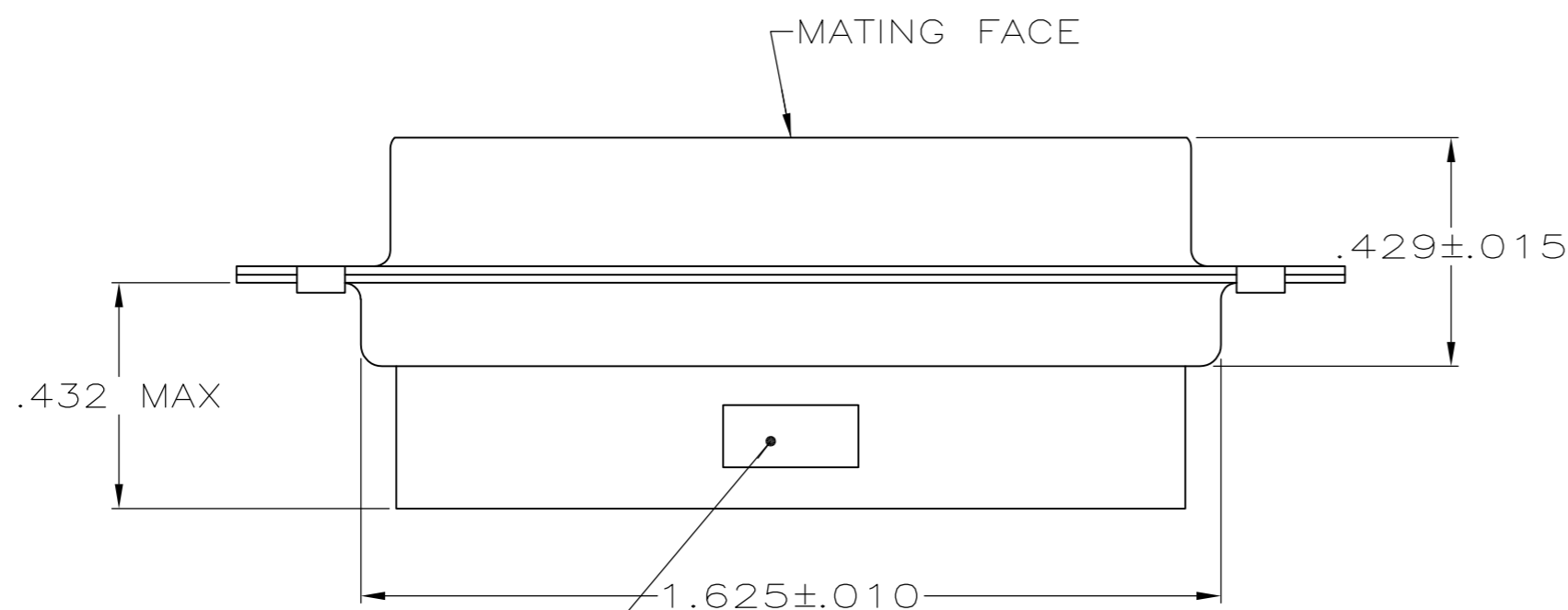
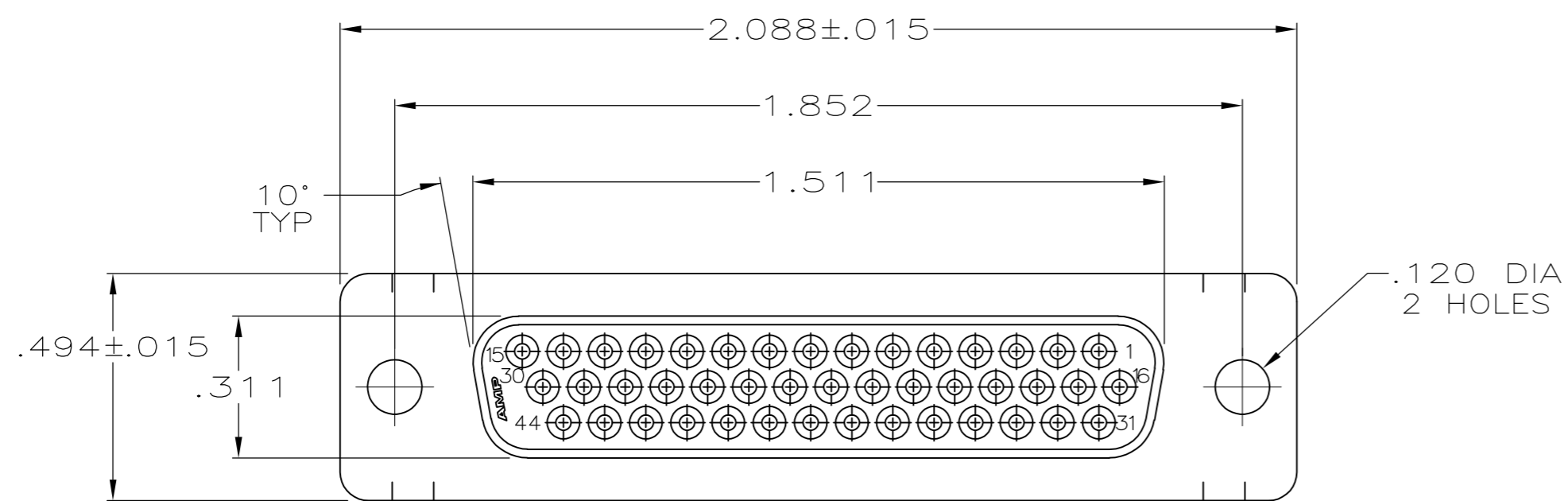


THIS DRAWING IS UNPUBLISHED. RELEASED FOR PUBLICATION
 © COPYRIGHT - By - ALL RIGHTS RESERVED.

LOC		DIST		REVISIONS			
P	LTR	DESCRIPTION	DATE	DWN	APVD		
GP	00						
P		REVISED PER ECO-11-004835	11MAR11	RK	HMR		



TYCO, PART NO & DATE CODE, MARKED IN AREA INDICATED, ON FAR SIDE

- 1. CONNECTOR ACCEPTS 22 DF SOCKET CONTACTS, RETENTION TINES ARE AN INTEGRAL PART OF INSERT.
- 2. FLAME RETARDANT 94V-0 RATED GLASS FILLED NYLON, COLOR: BLACK.
- 3. CARBON STEEL.
- 4. .000200 MIN. TIN PLATE OVER .000100 MIN. COPPER UNDERPLATE.

1658683-1
PART NUMBER

THIS DRAWING IS A CONTROLLED DOCUMENT.		DWN L. BAUM 02JAN04			1658683-1	
DIMENSIONS: INCHES		CHK S. BOLASH 02JAN04			PART NUMBER	
TOLERANCES UNLESS OTHERWISE SPECIFIED:		APVD M. WALMSLEY 02JAN04	NAME		RECEPTACLE ASSEMBLY, SIZE 3, 44 POSN, HDP-22, AMPLIMITE®	
0 PLC ± -		PRODUCT SPEC	SIZE		108-1268	
1 PLC ± -		APPLICATION SPEC	CAGE CODE		114-10001	
2 PLC ± -		WEIGHT	DRAWING NO		114-10001	
3 PLC ± .005		FINISH	SCALE		3:1	
4 PLC ± -		SHELLS: Δ	SHEET		1 of 1	
ANGLES ± 2°		MATERIAL MOLDED PARTS: Δ SHELLS: Δ	REV		P	
CUSTOMER DRAWING		SCALE 3:1		SHEET 1 of 1		REV P

单击下面可查看定价，库存，交付和生命周期等信息

[>>TE Connectivity\(泰科\)](#)