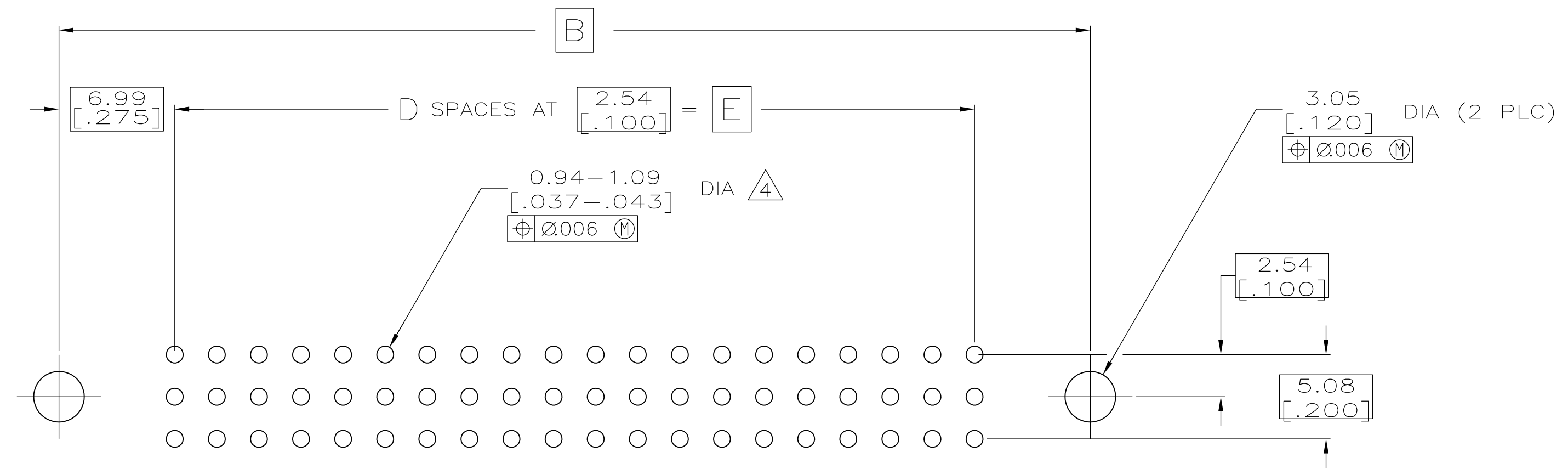
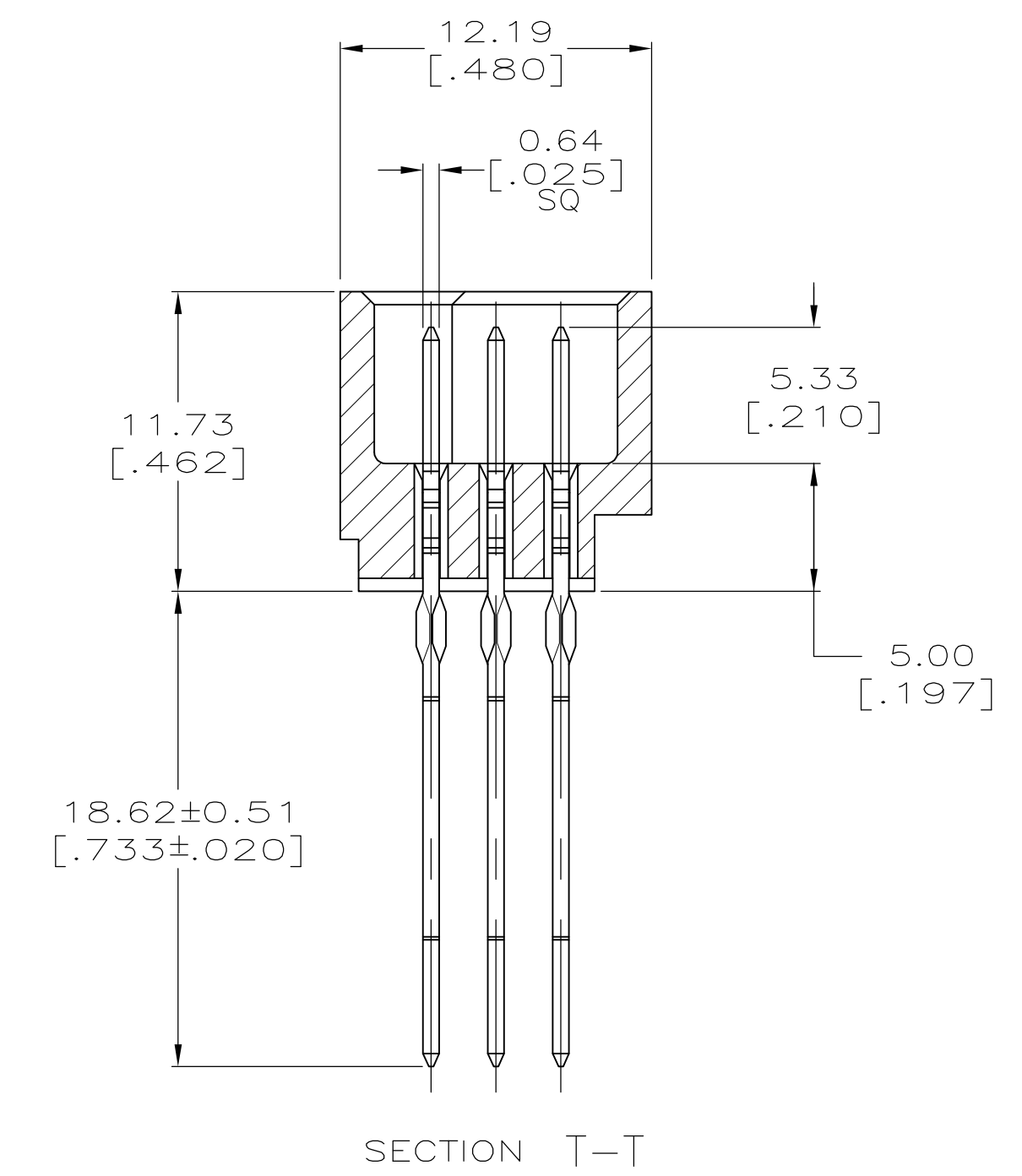
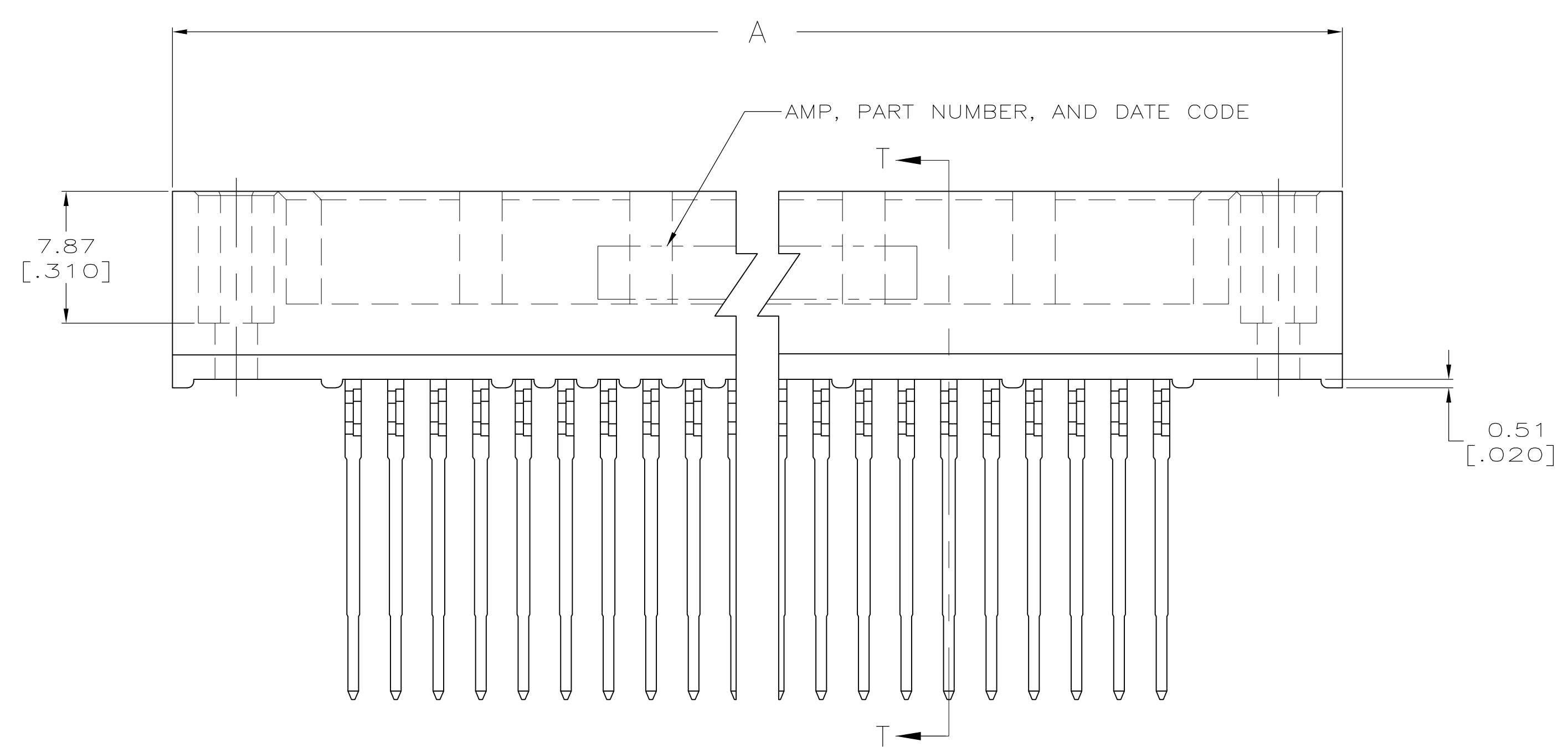
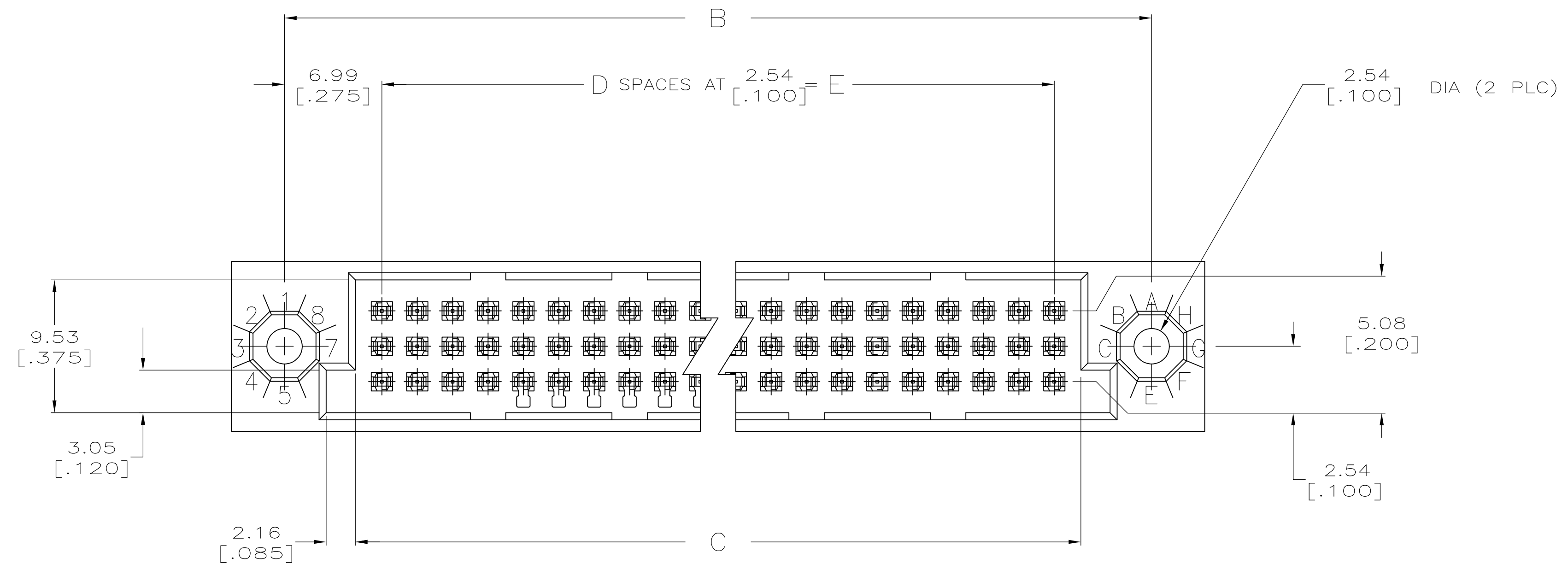


| REVISIONS | | | | |
|-----------|-----|---------------------------|---------|-----|
| P | LTR | DESCRIPTION | DATE | OWN |
| P | | REVISED PER ECO-15-015252 | 12NOV15 | BJ |



RECOMMENDED P.C. BOARD LAYOUT

| | | | | |
|---|--|--|-----------------|--|
| THIS DRAWING IS A CONTROLLED DOCUMENT. | | DIN R.K. SEIFRIED 03/26/90 | TE Connectivity | |
| | | CHK F. KIBLER 8-18-92 | | |
| DIMENSIONS: mm [INCHES] | | TOLERANCES UNLESS OTHERWISE SPECIFIED: | | NAME HDI, 3 ROW, PIN ASSEMBLY, 18.62 [.733] LONG ACTION PINS |
| 0 PLC ± - 1 PLC ± - 2 PLC ± - 3 PLC ± 0.13 [.005] 4 PLC ± - ANGLES ± - | | APVD - | | PRODUCT SPEC - |
| MATERIAL | | FINISH | | APPLICATION SPEC - |
| 1 2 | | 3 | | SIZE A1 |
| CUSTOMER DRAWING | | SCALE 4:1 | | WEIGHT |
| | | SHEET 1 OF 2 | | DRAWING NO. 00779C=532432 |
| | | REV P | | RESTRICTED TO - |

| REVISIONS | | | | |
|-----------|-----|-------------|------|------|
| P | LTR | DESCRIPTION | DATE | APPV |
| - | | SEE SHEET 1 | - | - |

- 1 HOUSING MATERIAL: THERMOPLASTIC, COLOR-BLACK.
- 2 CONTACT MATERIAL: PHOSPHOR BRONZE.
- 3 FINISH:
 MATING AREA: MEETS THE PERFORMANCE REQUIREMENTS OF PRODUCT SPECIFICATION 108-9063; BASED ON TELCORDIA DR-1217-CORE APPLICATIONS IN UNCONTROLLED ENVIRONMENTS.
 SOLDER TAILS AREA: TIN-LEAD PLATED.
- 4 ACTION PIN POSTS REQUIRE 2.36 [.093] MIN THICK P.C. BOARD. RECOMMENDED P.C. BOARD HOLES ARE 1.151 [.0453] DIA PLATED THRU WITH 0.025-0.076 [.001-.003] COPPER, WITH 0.0076 [.0003] MIN TIN-LEAD PLATING; FINISHED HOLE AFTER PLATING 0.94-1.09 [.037-.043] DIA.
- 5. DIMENSIONS IN BRACKETS ARE IN INCHES.
- 6 HOUSINGS WITH CENTER MOUNTING IS RECOMMENDED FOR ASSEMBLIES HAVING 75 CONTACTS PER ROW OR MORE.
- 7 PART NUMBER IS OBSOLETE.

| | E | D | C | B | A | POSN | PART NUMBER |
|----|-------------------|----|-------------------|-------------------|-------------------|------|-------------|
| 67 | | | | | | | 2-532432-0 |
| 67 | | | | | | | 1-532432-9 |
| 67 | | | | | | | 1-532432-8 |
| 67 | | | | | | | 1-532432-7 |
| 67 | | | | | | | 1-532432-6 |
| 67 | | | | | | | 1-532432-5 |
| 67 | | | | | | | 1-532432-4 |
| 67 | | | | | | | 1-532432-3 |
| △ | 187.96 [7.400] | 74 | 191.77 [7.550] | 201.93 [7.950] | 209.55 [8.250] | 225 | 1-532432-2 |
| △ | 175.26 [6.900] | 69 | 179.07 [7.050] | 189.23 [7.450] | 196.85 [7.750] | 210 | 1-532432-1 |
| △ | | | | | | | 1-532432-0 |
| △ | 149.86 [5.900] | 59 | 153.67 [6.050] | 163.83 [6.450] | 171.45 [6.750] | 180 | 532432-9 |
| △ | 137.16 [5.400] | 54 | 140.97 [5.550] | 151.13 [5.950] | 158.75 [6.250] | 165 | 532432-8 |
| △ | | | | | | | 532432-7 |
| △ | | | | | | | 532432-6 |
| △ | 99.06 [3.900] | 39 | 102.87 [4.050] | 113.03 [4.450] | 120.65 [4.750] | 120 | 532432-5 |
| △ | | | | | | | 532432-4 |
| △ | 78.74 [3.100] | 31 | 82.55 [3.250] | 92.71 [3.650] | 100.33 [3.950] | 96 | 532432-3 |
| △ | | | | | | | 532432-2 |
| △ | | | | | | | 532432-1 |

THIS DRAWING IS A CONTROLLED DOCUMENT. DIN 03/26/90
R.K. SEIFRIED
CHK F. KIBLER 8-18-92

| | | | |
|--|---|----------------------------------|---|
| DIMENSIONS: mm [INCHES] 0 PLC ± - 1 PLC ± - 2 PLC ± - 3 PLC ± 0.13 [.005] 4 PLC ± - ANGLES ± - | TOLERANCES UNLESS OTHERWISE SPECIFIED: 0 PLC ± - 1 PLC ± - 2 PLC ± - 3 PLC ± 0.13 [.005] 4 PLC ± - ANGLES ± - | PRODUCT SPEC APPLICATION SPEC | NAME: HDI, 3 ROW, PIN ASSEMBLY, 18.62 [.733] LONG ACTION PINS SIZE: A1 CASE CODE: 00779 DRAWING NO: 532432 |
|--|---|----------------------------------|---|

MATERIAL: 1/2 FINISH: 3 WEIGHT: 0 A1 00779 532432 CUSTOMER DRAWING SCALE: 4:1 SHEET 2 OF 2 REV P

单击下面可查看定价，库存，交付和生命周期等信息

[>>TE Connectivity\(泰科\)](#)