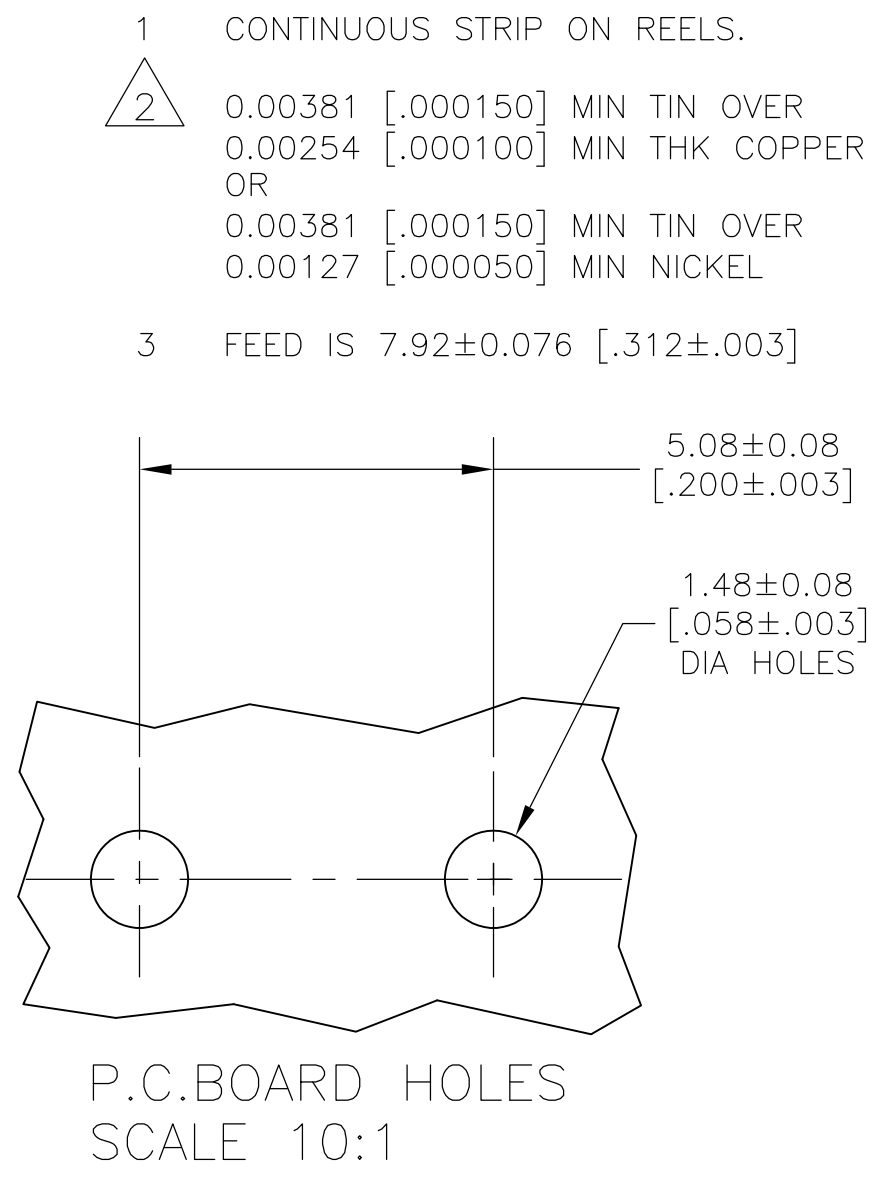
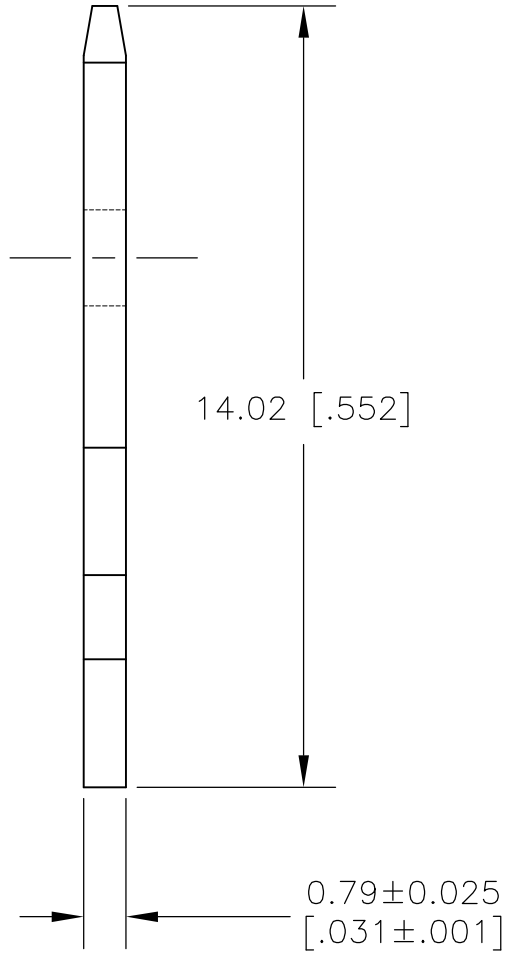
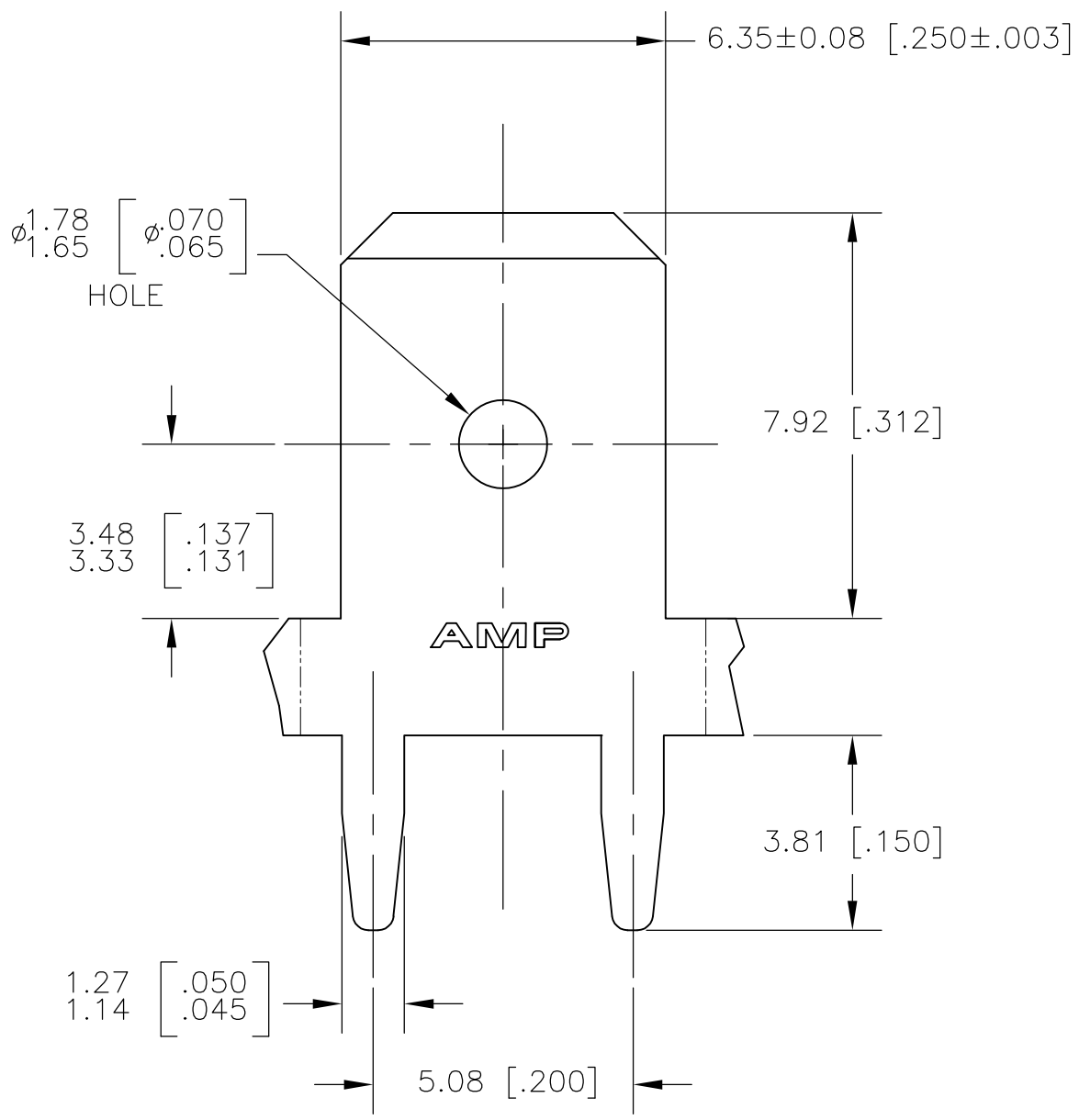


LOC	DIST	REVISIONS					
AF	50	P	LTR	DESCRIPTION	DATE	DWN	APVD
		E		REVISED PER ECR-13-001204	29JUN13	KH	PD



- 1 CONTINUOUS STRIP ON REELS.
- 2 0.00381 [.000150] MIN TIN OVER
0.00254 [.000100] MIN THK COPPER
OR
0.00381 [.000150] MIN TIN OVER
0.00127 [.000050] MIN NICKEL
- 3 FEED IS 7.92±0.076 [.312±.003]

1217539-1
PART NUMBER

THIS DRAWING IS A CONTROLLED DOCUMENT.		DWN	JR RUTH	14NOV00	TE Connectivity NAME TAB, FASTON, PC BOARD, 6.35 [.250] SERIES
DIMENSIONS: mm [INCHES]		CHK	MS FEHER	14NOV00	
TOLERANCES UNLESS OTHERWISE SPECIFIED:		APVD	G PORTA	14NOV00	
0 PLC ± - 1 PLC ± - 2 PLC ± 0.25 [.010] 3 PLC ± - 4 PLC ± - ANGLES ± -		PRODUCT SPEC	-	-	
MATERIAL	BRASS	FINISH	TIN OVER COPPER	APPLICATION SPEC	114-2115
		WEIGHT	-	SIZE	A3
				CAGE CODE	00779
				DRAWING NO	C-1217539
				RESTRICTED TO	-
		CUSTOMER DRAWING		SCALE	8:1
				SHEET	1 OF 1
				REV	E

单击下面可查看定价，库存，交付和生命周期等信息

[>>TE Connectivity\(泰科\)](#)