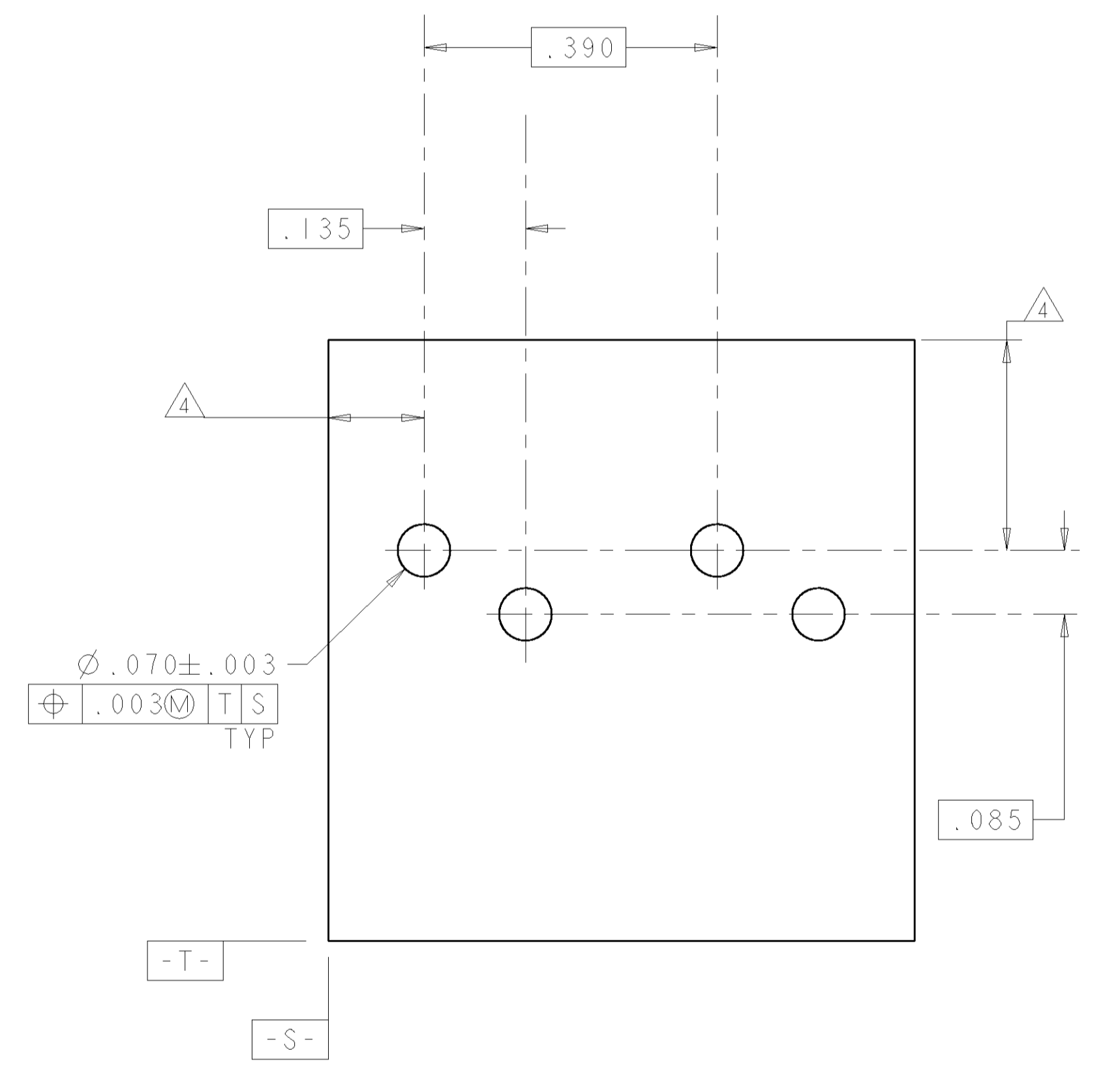
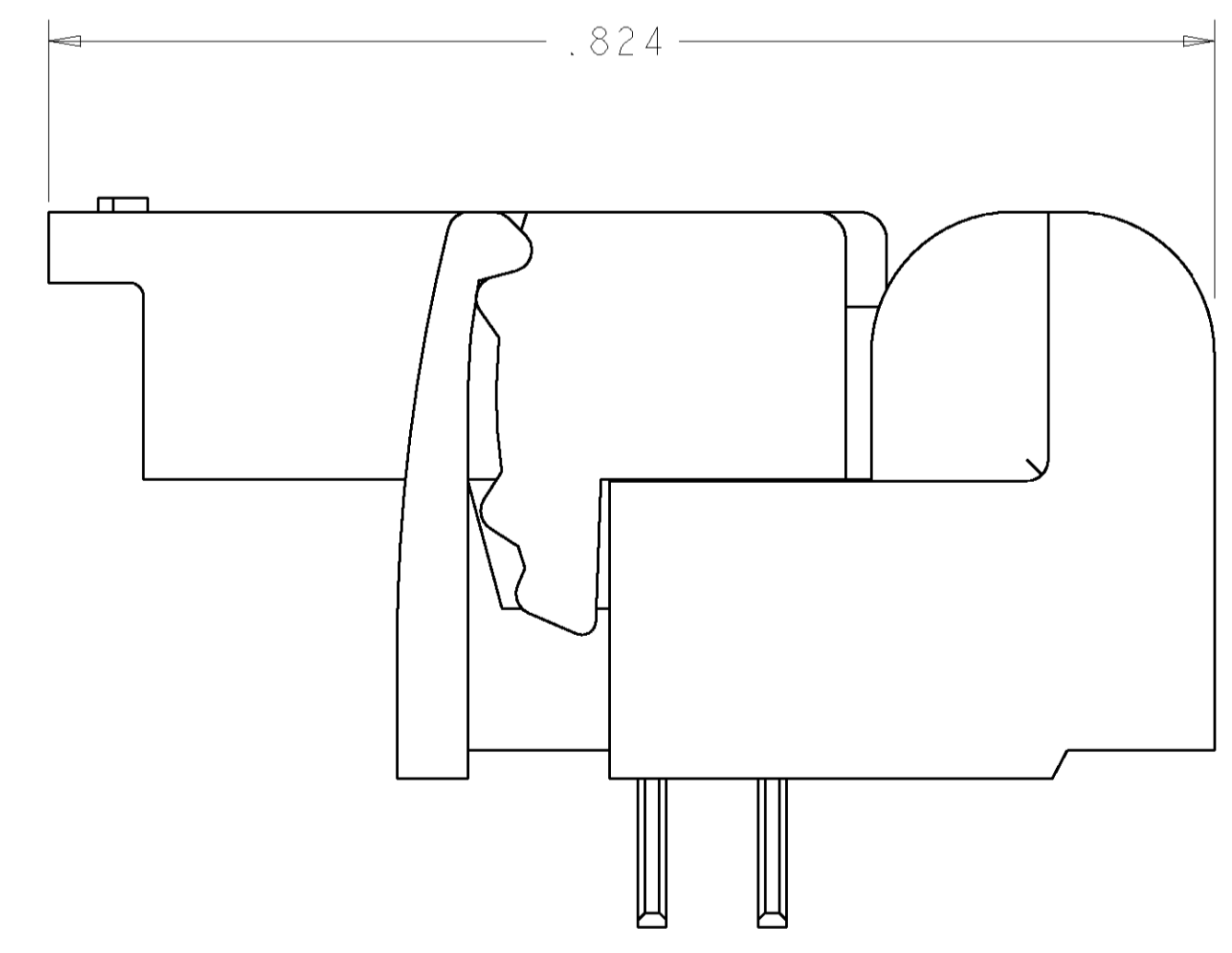
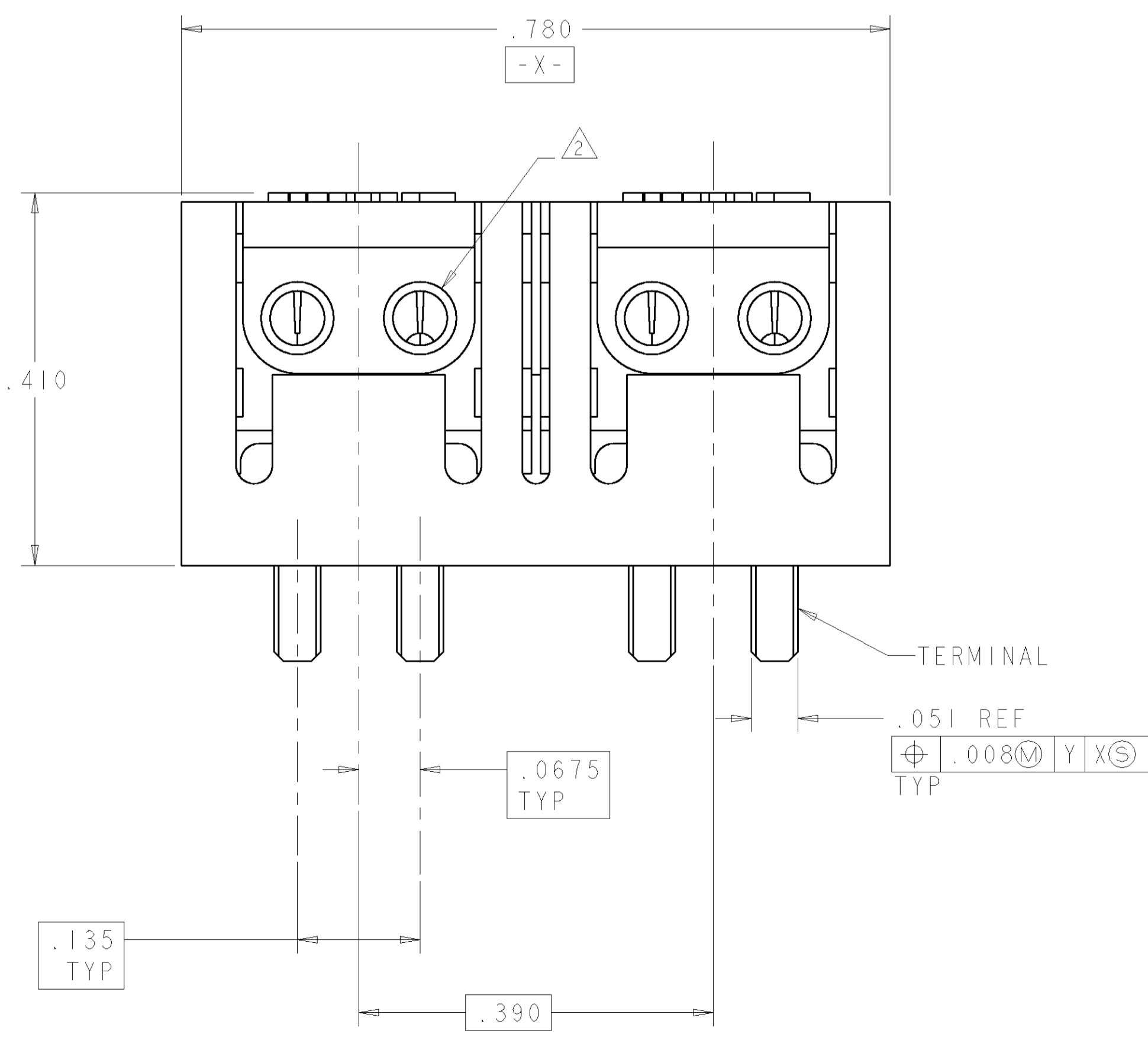


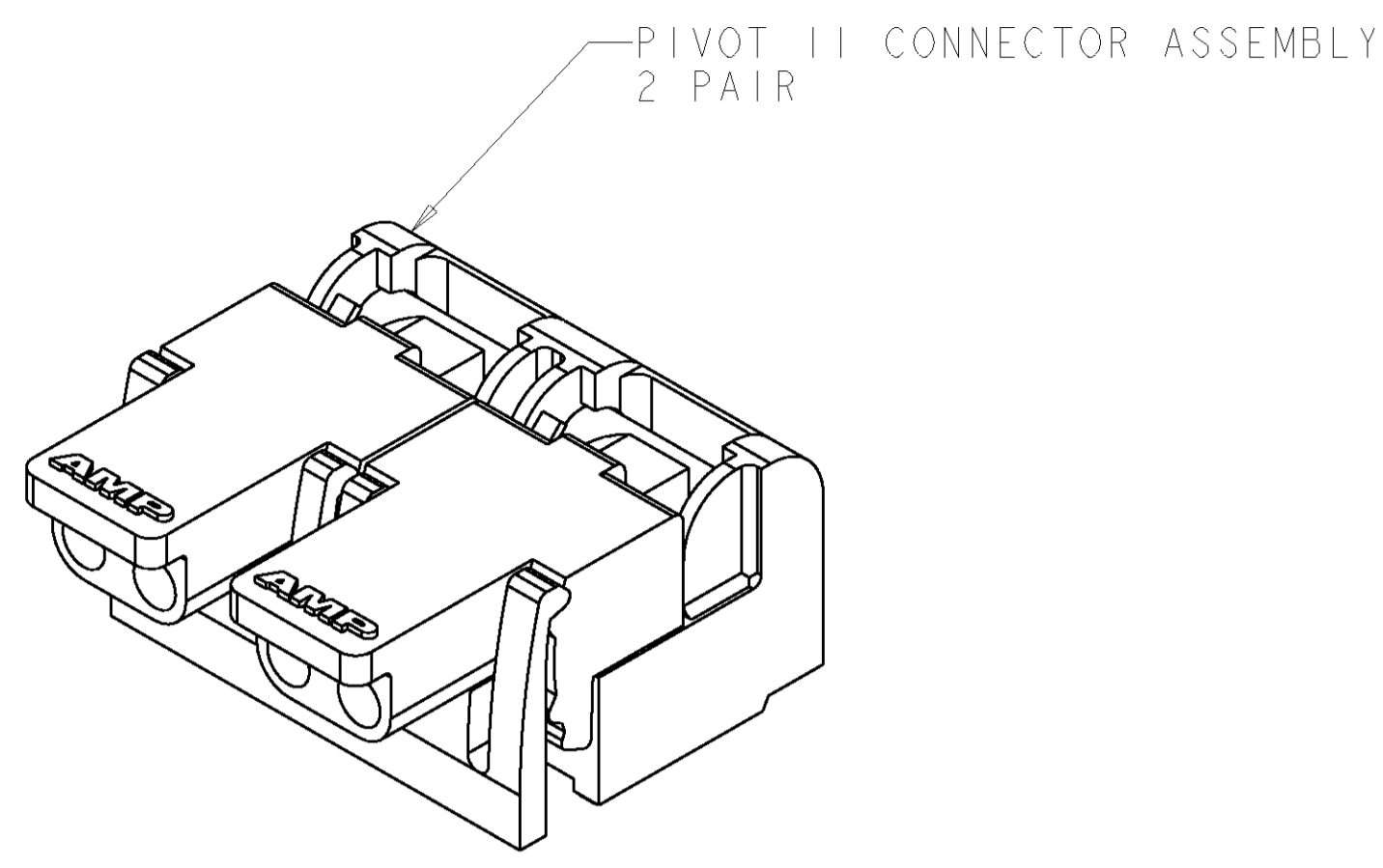
- 1 MATERIAL: BASE - POLYESTER MOLDING COMPOUND, BLACK. WIRE STUFFER - POLYCARBONATE MOLDING COMPOUND, SEE TABLE FOR COLOR. TERMINAL - COPPER ALLOY, PLATED WITH 3.81 μm MINIMUM THICK TIN OVER 1.27 μm MINIMUM THICK NICKEL UNDERPLATE.
- 2 EACH WIRE ENTRY HOLE ACCEPTS ONE UNSTRIPPED SOLID COPPER 22-26 AWG WIRE WITH WIRE INSULATION DIAMETER RANGE FROM .060 THROUGH .040. OTHER WIRE SIZES AND TYPES SHALL BE SUBMITTED TO AMP ENGINEERS FOR APPLICATION APPROVAL.
- 3. SOLDER TABS PROVIDED FOR PERMANENT BOARD MOUNTING.
- 4 LOCATION OF HOLE PATTERN DETERMINED BASED ON CUSTOMER REQUIREMENTS.



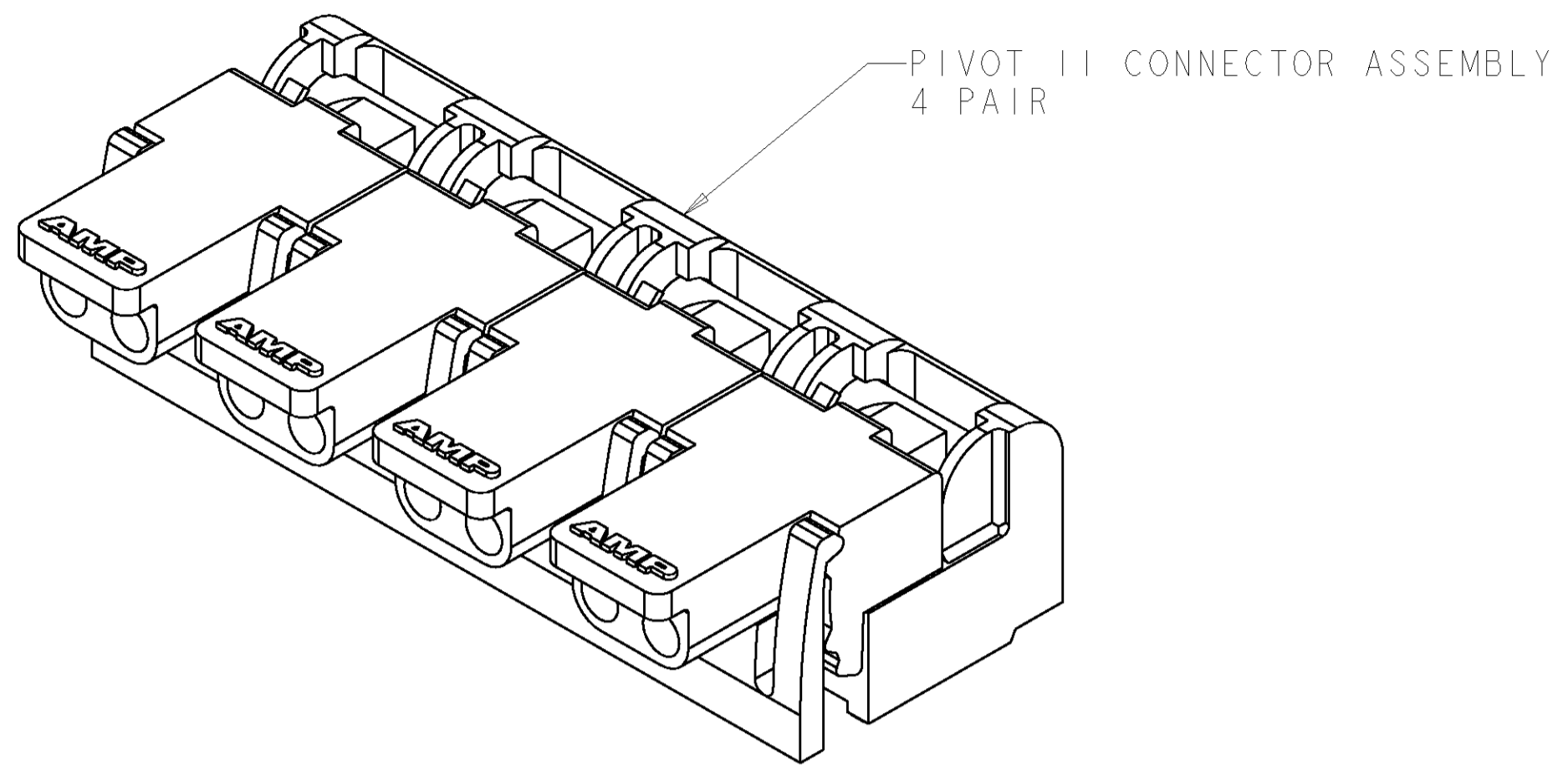
SUGGESTED PRINTED CIRCUIT BOARD MOUNTING DIMENSIONS (VIEWED FROM SOLDER SIDE)

DOUBLE	WHITE	4 PAIR, SH 2	1339376-3
SINGLE	CLEAR	4 PAIR, SH 2	1339376-2
SINGLE	CLEAR	AS SHOWN	1339376-1
ENTRY BASE	STUFFER COLOR	DESCRIPTION	PART NUMBER

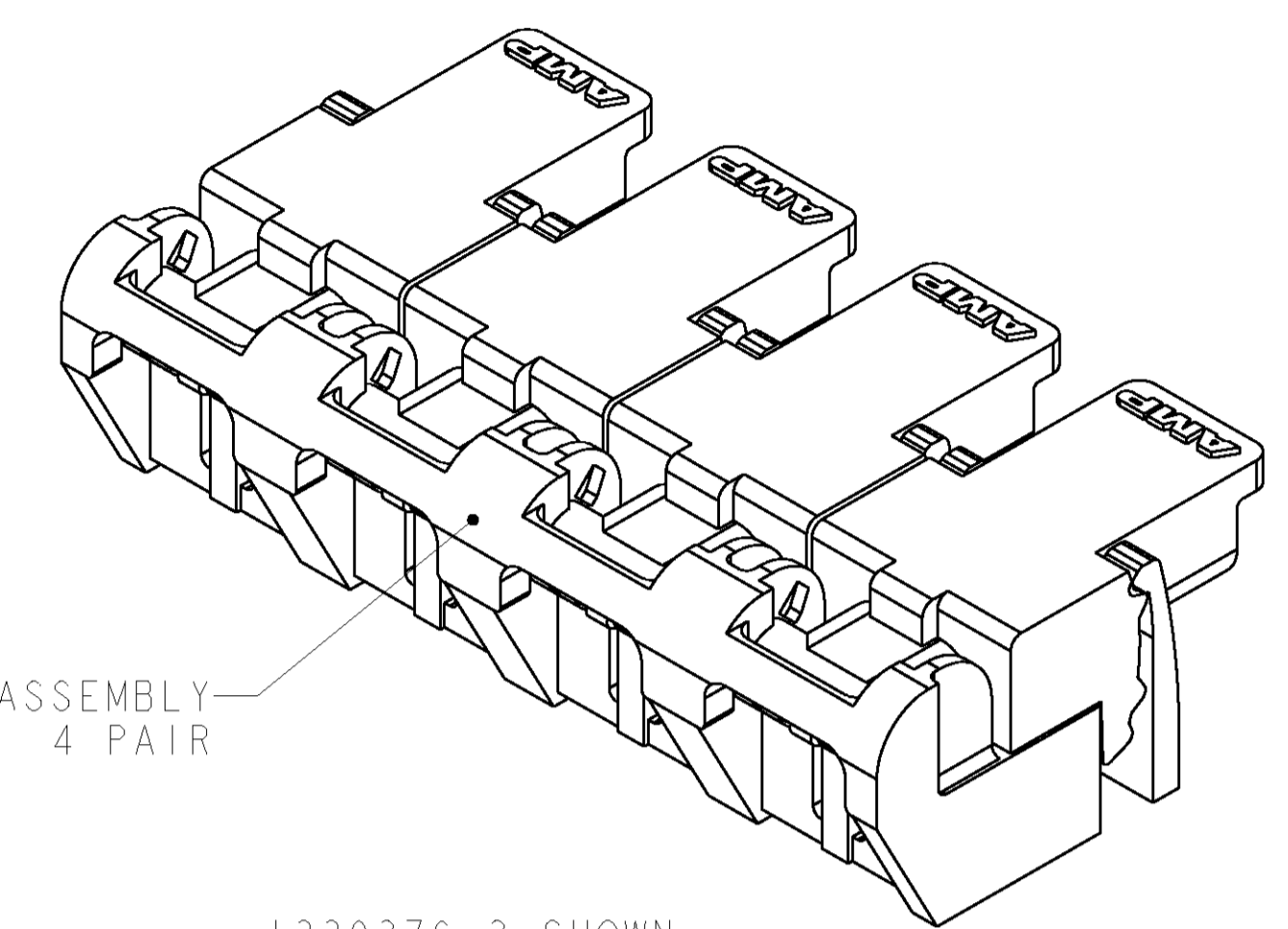
DIMENSIONS: INCHES		TOLERANCES UNLESS OTHERWISE SPECIFIED:		DWN J. AHERON 30NOV00 CRD S. ROBERTSON 30NOV00 APFD S. ROBERTSON 30NOV00 PRODUCT SPEC APPLICATION SPEC WEIGHT CUSTOMER DRAWING	
$\oplus .003 \text{ (M) } T S$ TYP		0 PLC \pm 1 PLC $\pm .01$ 2 PLC $\pm .01$ 3 PLC $\pm .005$ 4 PLC \pm ANGLES \pm FINISH		NAME: ASSEMBLY, SINGLE ENTRY, PIVOT 11 CONNECTOR SIZE: A1 CAGE CODE: 00779 DRAWING NO: C=1339376 SCALE: 6:1 SHEET 1 OF 2 REV F1	



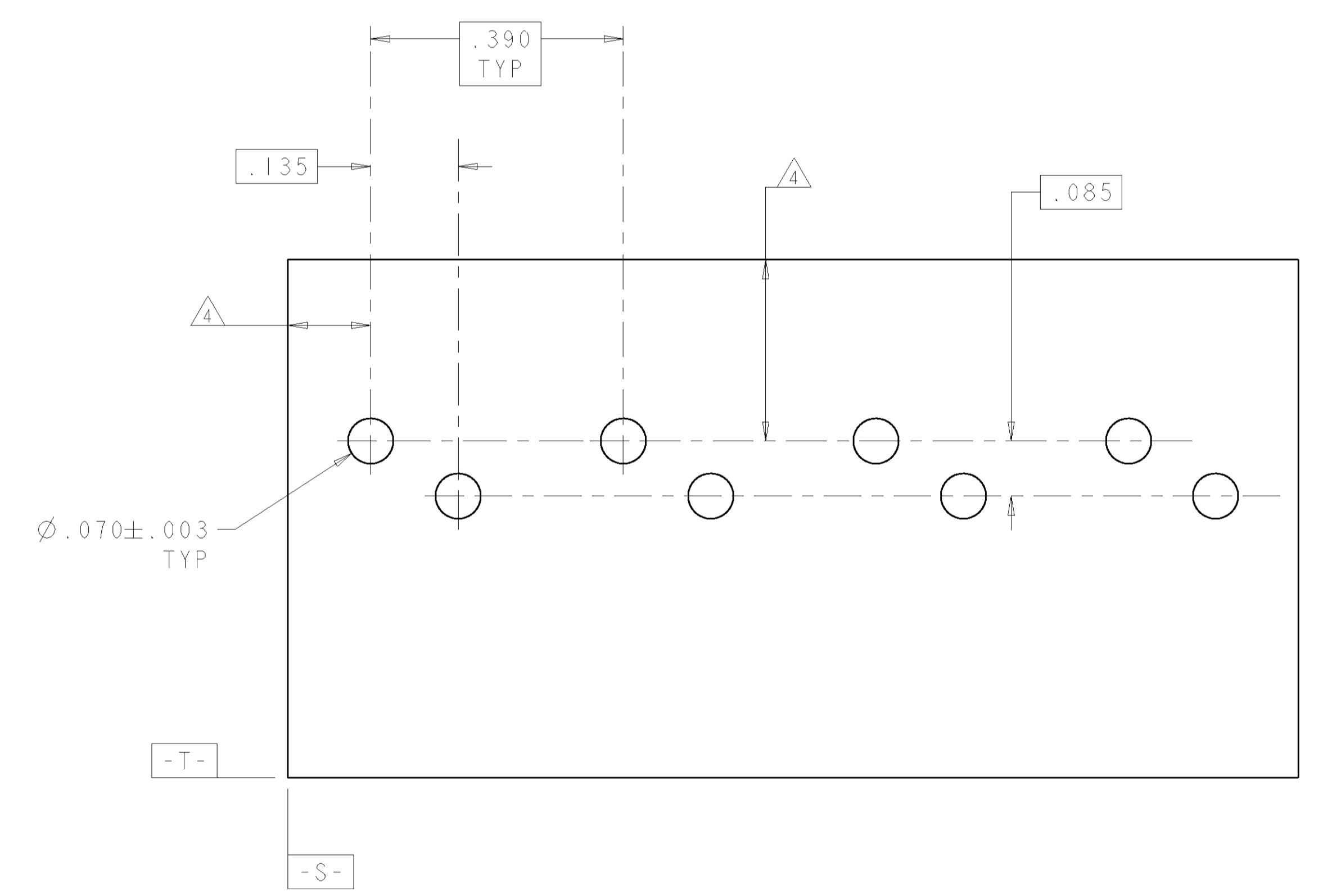
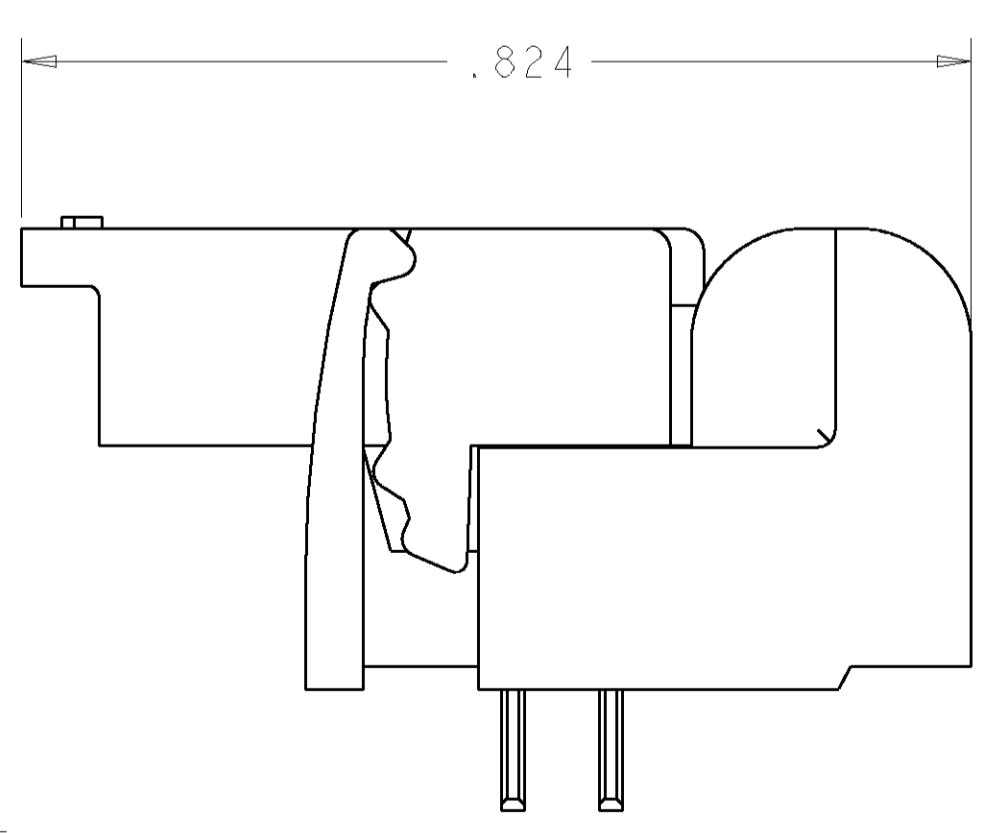
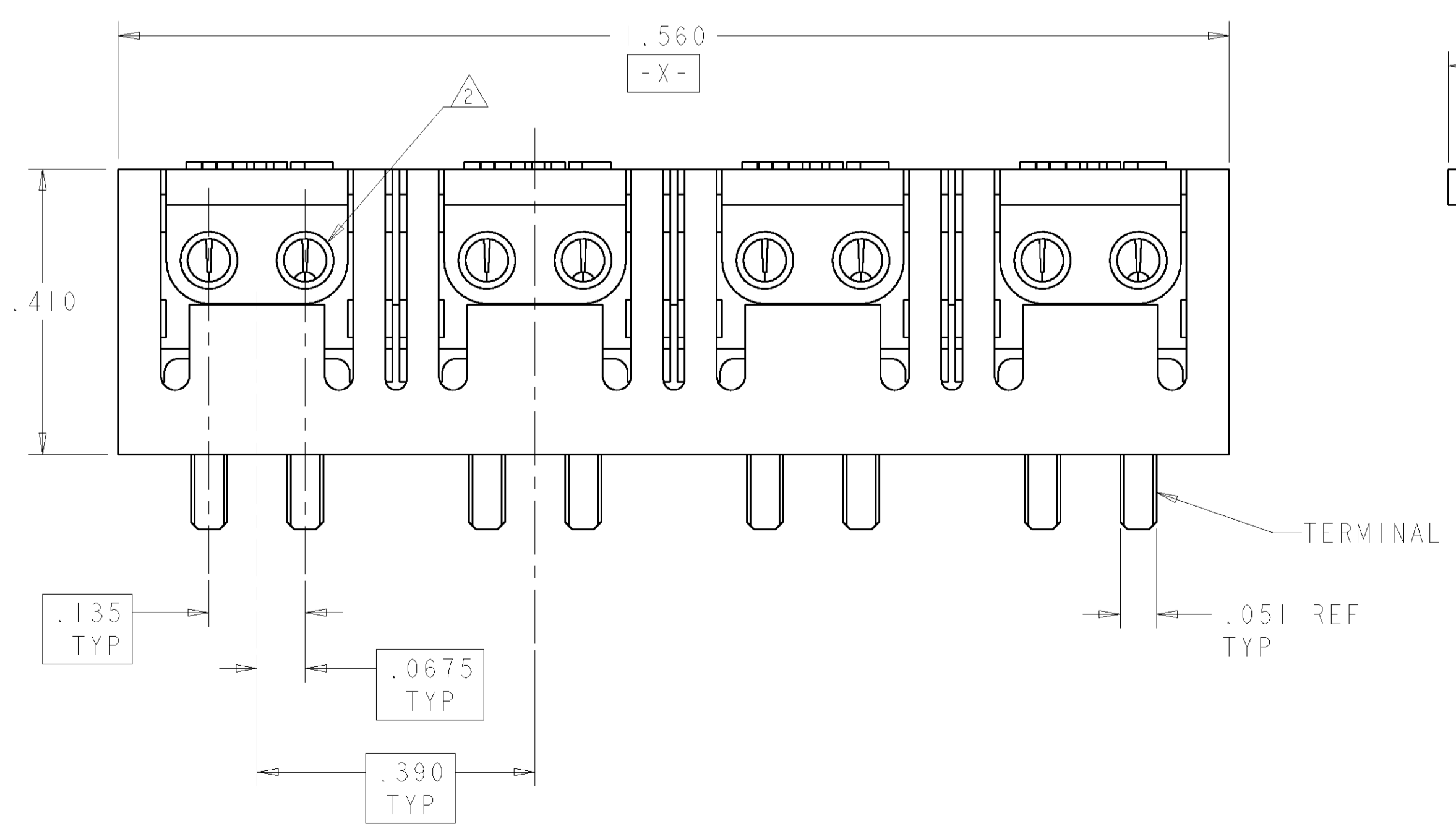
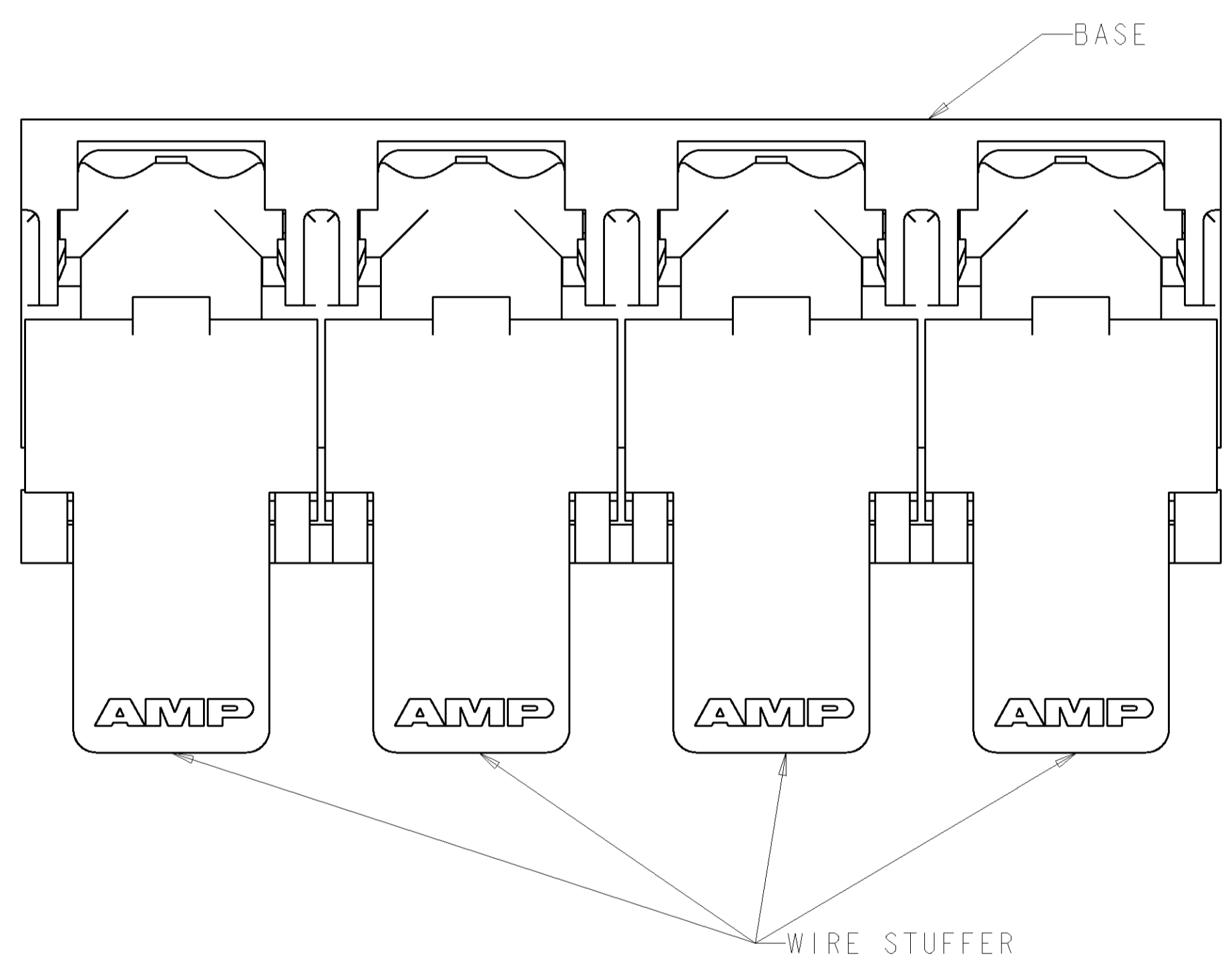
1339376-1 SHOWN
SCALE 4:1



1339376-2 SHOWN
SCALE 4:1



1339376-3 SHOWN
(WITH DOUBLE ENTRY)
SCALE 4:1



SUGGESTED PRINTED CIRCUIT BOARD
MOUNTING DIMENSIONS
(VIEWED FROM SOLDER SIDE)

DIMENSIONS: INCHES		TOLERANCES UNLESS OTHERWISE SPECIFIED:		DWN: J. AHERON 30NOV00		CHK: S. ROBERTSON 30NOV00		APVD: S. ROBERTSON 30NOV00		NAME: ASSEMBLY, SINGLE ENTRY, PIVOT II CONNECTOR	
		0 PLC	±	PRODUCT SPEC		APPLICATION SPEC		WEIGHT		SIZE: A1	
		1 PLC	±.01	CAGE CODE		DRAWING NO: 1339376		SCALE: 6:1		SHEET 2 OF 2	
		2 PLC	±.005	CUSTOMER DRAWING		REV: F1					
		3 PLC	±								
		4 PLC	±								
		ANGLES	±								
		FINISH	±								

单击下面可查看定价，库存，交付和生命周期等信息

[>>TE Connectivity\(泰科\)](#)