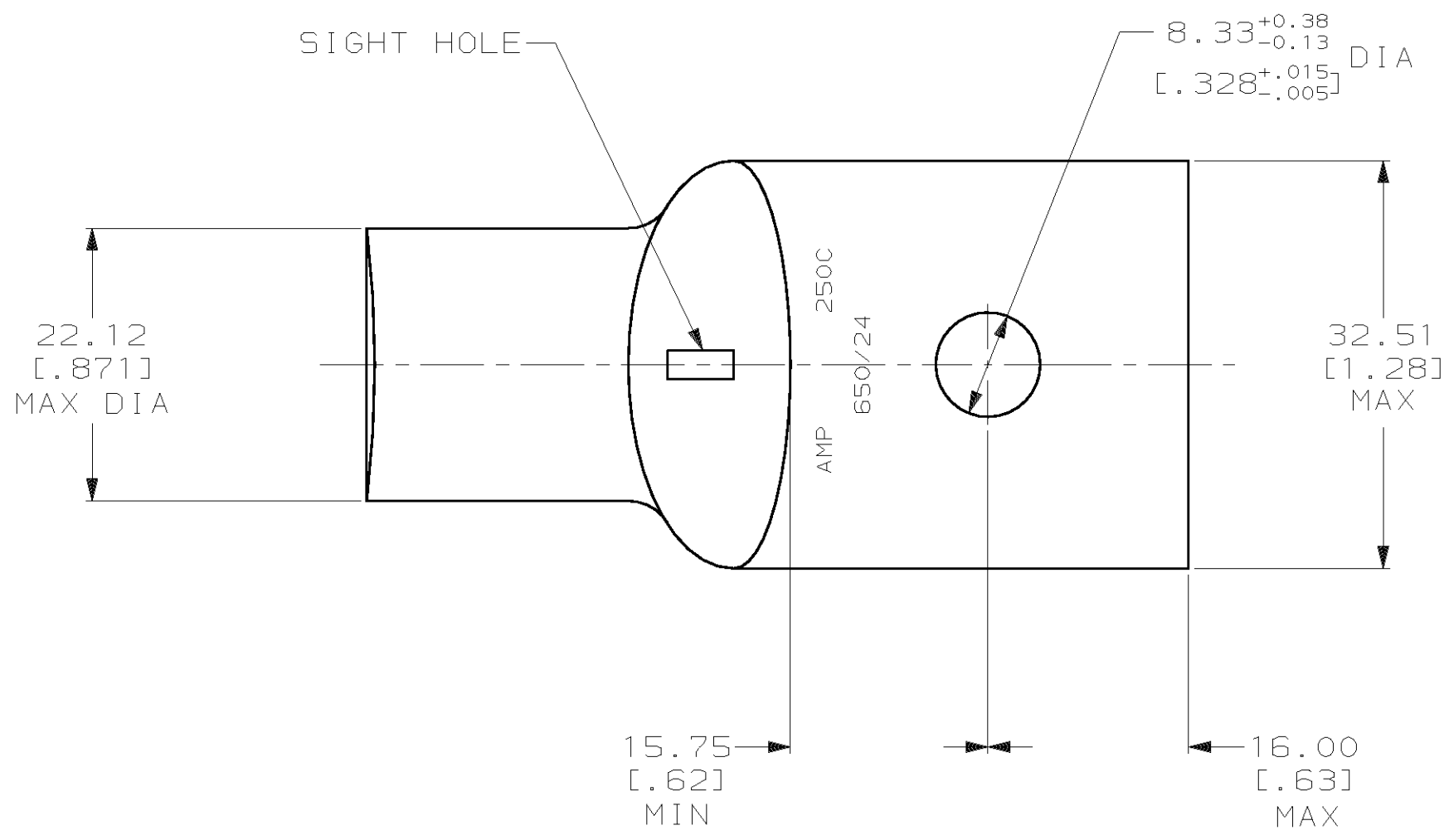
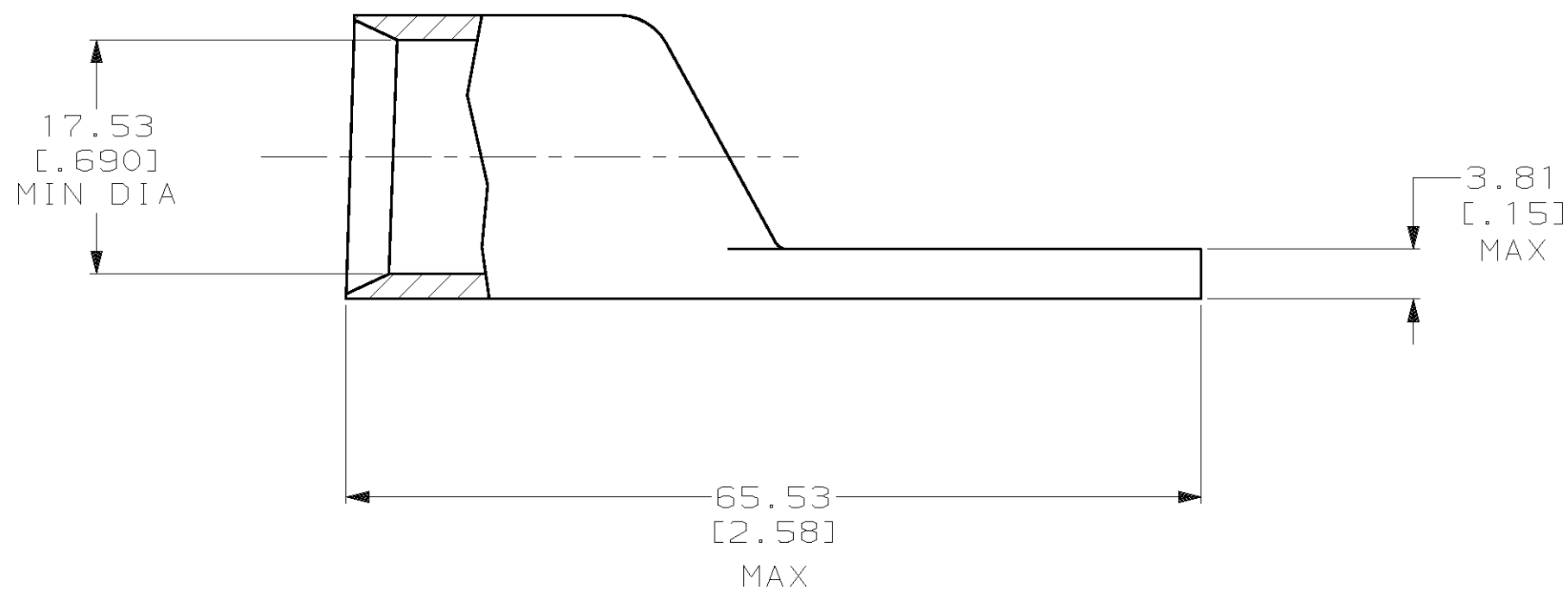


THIS DRAWING IS UNPUBLISHED. RELEASED FOR PUBLICATION  
 © COPYRIGHT 19 BY AMP INCORPORATED. ALL INTERNATIONAL RIGHTS RESERVED.

LOC		DIST		REVISIONS				DATE	APPD
ZONE	LTR	DESCRIPTION	DATE	APPD					
G	86			N	REV PER 0G3A-0561-01	080CT02	JR/MS		



1 CIRCULAR MIL AREA RANGE: 231-275 MCM  
 2 TIN PL 0.00381 [.000150] MIN THK PER MIL-T-10727



**METRIC**

DO NOT SCALE PRINT. UNLESS SPECIFIED DIMENSIONS IN mm [INCHES] TOLERANCES ON : 2 PLC DEC ± 0.51 [.020] 3 PLC DEC ± - ANGLES ± -		DR 03/16/90 DK SCHRUM		AMP INCORPORATED Harrisburg, Pa. 17105	
MATERIAL ANNEALED COPPER ASTM B-75		CHK 19JAN95 MS FEHER		NAME TERMINAL, AMPPOWER, WIRE SIZE: 250 MCM	
FINISH 2		APPD 19JAN95 WJ VOCKROTH		DRAWING NO 325702	
APPLICATION SPEC -		APPD 19JAN95 TL SHUTTER		CAGE CODE 00779	
WEIGHT .128 LB		PRODUCT SPEC 108-30200		SCALE 2:1	
				SHEET 1 OF 1	

单击下面可查看定价，库存，交付和生命周期等信息

[>>TE Connectivity\(泰科\)](#)