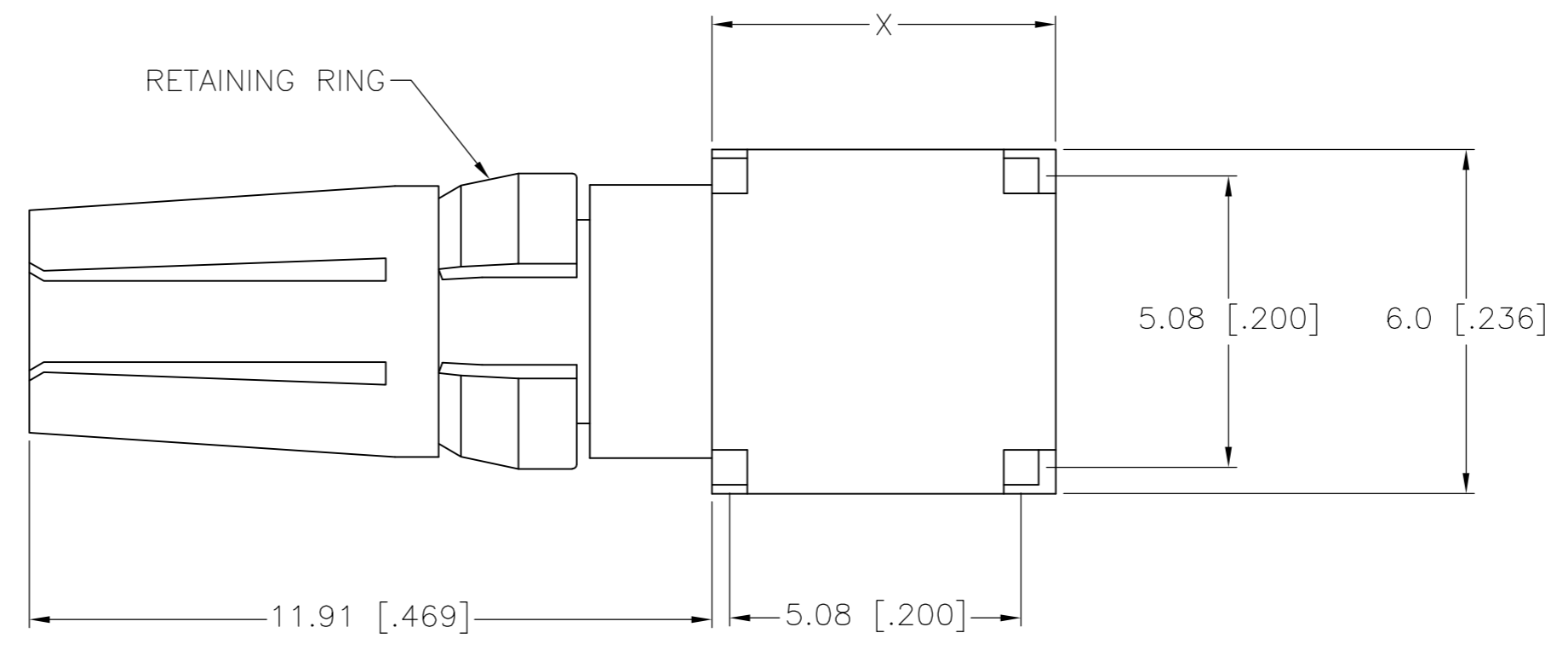
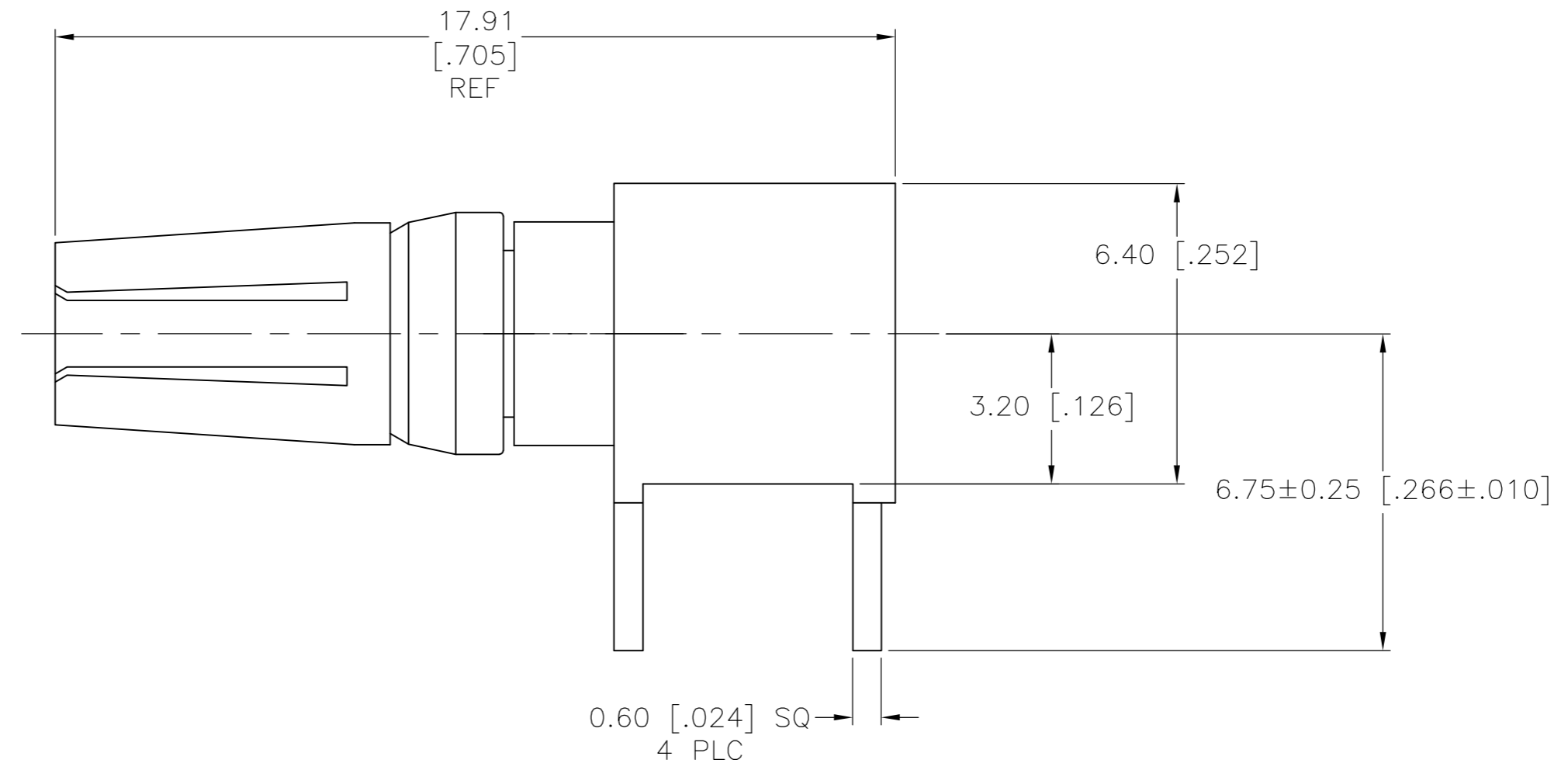


THIS DRAWING IS UNPUBLISHED. RELEASED FOR PUBLICATION
 © COPYRIGHT BY TYCO ELECTRONICS CORPORATION. ALL RIGHTS RESERVED.

LOC		DIST		REVISIONS			
P	LTR	DESCRIPTION		DATE	DWN	APVD	
	F	REV PER EC 0512-0302-05		05DEC05	BC	GS	
	G	ECR-10-019054		15SEP10	DP	MQW	



- 1 SUITABLE FOR FEMALE TYPE M CONNECTORS.
- 2 CONTACT SPRING: BERYLLIUM COPPER.
CONTACT BODY: BRASS.
RETAINING RING: BERYLLIUM COPPER.
- 3 CONTACT FINISH: 0.00127[.000050] MIN GOLD IN CONTACT AREA,
0.00254[.000100] MIN TIN/LEAD IN AREA "X", ALL OVER
0.00127[.000050] NICKEL.
- 4 CONTACT FINISH: 0.00076[.000030] MIN GOLD IN CONTACT AREA,
0.00254[.000100] MIN TIN/LEAD IN AREA "X", ALL OVER
0.00127[.000050] NICKEL.

OBSOLETE	4	148513-2
	3	148513-1
	FINISH	PART NUMBER

THIS DRAWING IS A CONTROLLED DOCUMENT.		DWN B.CARBO 05DEC05	Tyco Electronics Corporation Harrisburg, PA 17105-3608	
DIMENSIONS: mm [INCHES]		CHK A.SHARPE 05DEC05	NAME POWER CONTACT, EUROCARD TYPE M, FEMALE 90', PRINTED CIRCUIT BOARD MOUNT	
TOLERANCES UNLESS OTHERWISE SPECIFIED: ±0.2		APVD A.SHARPE 05DEC05	APPLICATION SPEC	
6-PLC ±		SIZE A2		
1-PLC ±		CAGE CODE 00779		
2-PLC ±		DRAWING NO C=148513		
3-PLC ±		RESTRICTED TO		
4-PLC ±		SCALE 8:1 SHEET 1 OF 1 REV G		
ANGLES ±		CUSTOMER DRAWING		
FINISH SEE TABLE				

单击下面可查看定价，库存，交付和生命周期等信息

[>>TE Connectivity\(泰科\)](#)