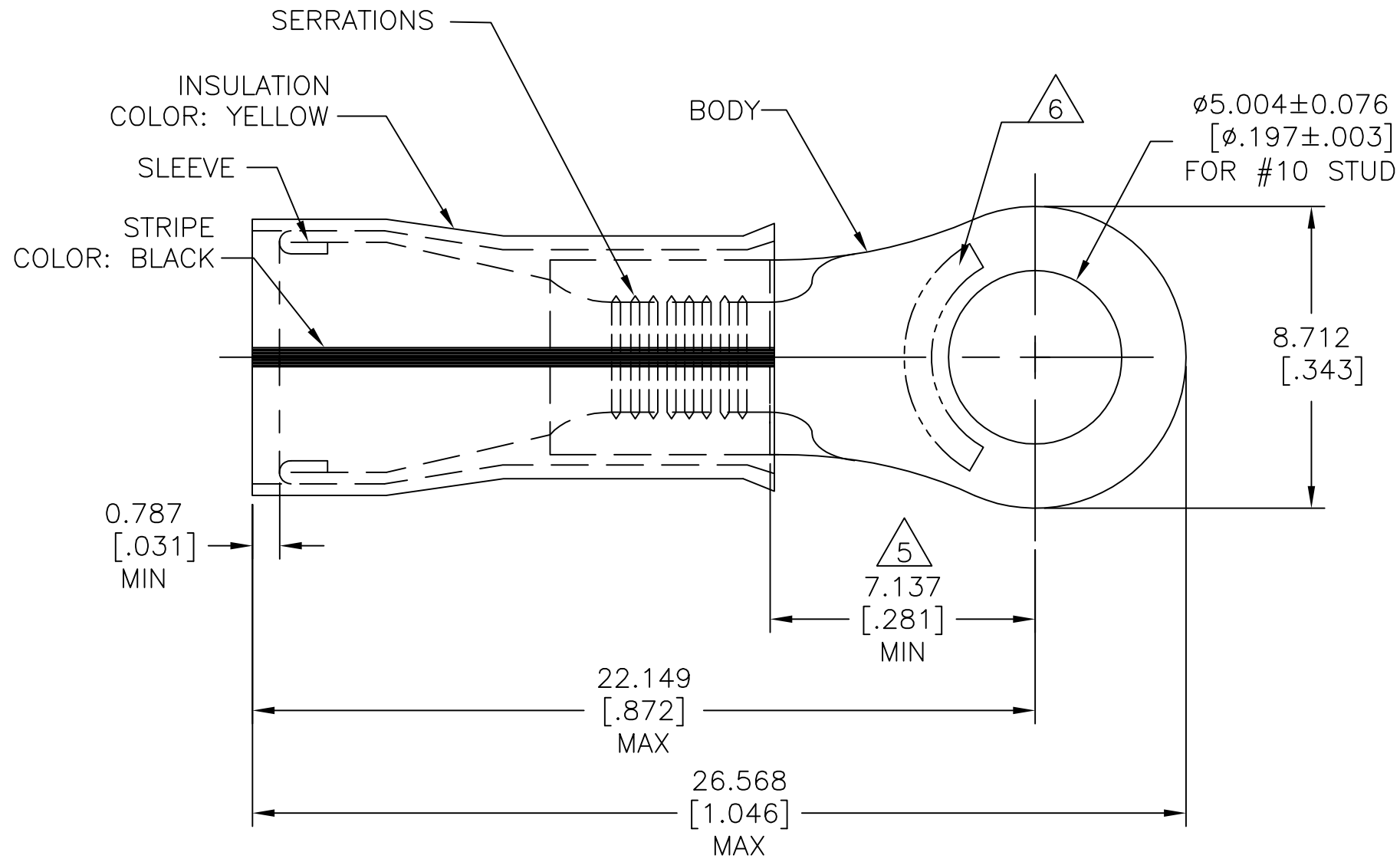


REVISIONS					
P	LTR	DESCRIPTION	DATE	DWN	APVD
	F	REVISED PER ECO-14-015277	26FEB2015	NK	DR
	F1	REVISED PER ECO-17-007400	27NOV2017	RS	DR

<b>AMP</b> WIRE RANGE	Listed FILE E13288	LR7189 Certified
16-14 AWG SOLID OR STRANDED	16-14 AWG SOLID OR STRANDED	16-14 AWG SOLID OR STRANDED



- 1 WIRE INSUL  $\phi 3.810-5.842[\phi .150-.230]$
- 2 BODY MATERIAL THK  $1.219 \pm 0.051[\ .048 \pm .002 ]$
- 3 MATERIAL: BODY - CU PER ASTM B152, SLEEVE - CU PER ASTM B152, INSULATION - NYLON (ASTM D4066) TYPE 1.
- 4 FINISH: BODY & SLEEVE: TIN PER ASTM B-545, INSULATION - COLOR: YELLOW,
- 5 APPLIES FROM EDGE OF METAL WIRE BARREL TO THE CENTER OF STUD HOLE.
- 6 STAMP AMP 16-14 HD\* APPROX AS SHOWN.

2500	ON TAPE	2-320630-2
500	LOOSE PIECE	320630
QTY	PACKAGE TYPE	PART NO

AMP INCORPORATED CUSTOMER SERVICE SYSTEMS		MAX RECOMMENDED OPERATING TEMPERATURE: 105°C [221°F]	THIS DRAWING IS A CONTROLLED DOCUMENT.		DWN jr_ruth 10JUN09	TE Connectivity			
FOR ADDITIONAL PRODUCT INFORMATION OR COPIES OF DRAWINGS AND TECHNICAL DOCUMENTS	PRODUCT INFORMATION CENTER 1-800-522-6752	VOLTAGE RATING: 300 V MAX	DIMENSIONS: mm [INCHES]	TOLERANCES UNLESS OTHERWISE SPECIFIED:	CHK TOM MICHIELUTTI 10JUN09				NAME TERMINAL, P.I.D.G., RING TONGUE, WIRE SIZE: 16-14 HD
FOR APPLICATION TOOLING INFORMATION	TOOLING ASSISTANCE CENTER 1-800-722-1111	CIRCULAR MIL AREA: 1.04-2.62mm <sup>2</sup> [2,050-5,180] SOLID OR STRANDED		0 PLC ± - 1 PLC ± - 2 PLC ± - 3 PLC ± 0.127[.005] 4 PLC ± - ANGLES ± 5°	APVD TOM MICHIELUTTI 10JUN09	PRODUCT SPEC UL 486A-B			
FOR ORDER ENTRY	1-800-526-5142		MATERIAL	FINISH	APPLICATION SPEC 114-2157	SIZE A3	CAGE CODE 00779	DRAWING NO C=320630	RESTRICTED TO -
CUSTOMER DRAWING					WEIGHT -	SCALE 6:1			SHEET 1 OF 1
					REV F1				

单击下面可查看定价，库存，交付和生命周期等信息

[>>TE Connectivity\(泰科\)](#)