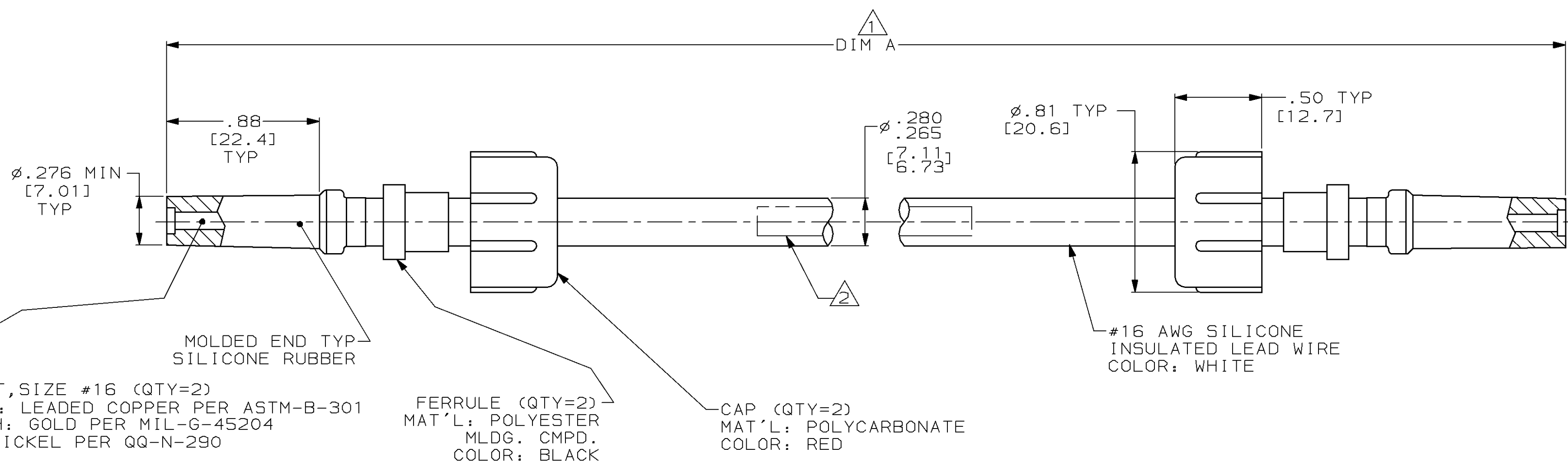


THIS DRAWING IS UNPUBLISHED. RELEASED FOR PUBLICATION  
 © COPYRIGHT 19 BY AMP INCORPORATED. ALL INTERNATIONAL RIGHTS RESERVED.

PROD CODE	LOC	DIST	P	F	ZONE	LTR	DESCRIPTION	DATE	APPD
4086	DF	SO				K	REV & REDRAWN; 0600-5719-96 CT	9-96	SG

PART NO.	DIM A	
862550-1	6.00 [152.4]	
862550-2	8.00 [203.2]	
862550-3	10.00 [254.0]	
862550-4	12.00 [304.8]	
862550-5	15.00 [381.0]	OBSOLETE
862550-6	18.00 [457.2]	
862550-7	21.00 [533.4]	OBSOLETE
862550-8	24.00 [609.6]	
862550-9	36.00 [914.4]	
1-862550-0	30.00 [762.0]	OBSOLETE
1-862550-1	110.00 [2794.0]	
1-862550-2	72.00 [1828.8]	
1-862550-3	48.00 [1219.2]	
1-862550-4	7.00 [177.8]	
1-862550-5	5.00 [127.0]	OBSOLETE
1-862550-6	60.00 [1524.0]	OBSOLETE



- 1 TOLERANCE OF LEAD LENGTH:  
UP TO 24 INCHES [609.6] = ±.12 [±3.1]  
24 INCHES [609.6] & UP = ±1%
- 2 MARKED PER MIL-STD-130 LOCATED APPROX IN CENTER OF LEAD.
- 3. TO MATE WITH AMP LGH-1 RECEPTACLE WITH .88 [22.4] BARREL DEPTH.
- 4. OPERATING VOLTAGE: 20 KVDC AT 0 TO 70,000 FEET; -55°C TO 125°C.

DO NOT SCALE PRINT. UNLESS SPECIFIED DIMENSIONS IN INCHES [mm] TOLERANCES ON: 2 PLC DEC ± .02 [0.5] 3 PLC DEC ± - ANGLES ± -	DR 9-27-96 C.C. THOMAS	AMP Incorporated Harrisburg, PA 17105-3608
	CHK 10-30-96 S. GLATFELTER	
MATERIAL  SEE CALLOUTS	APPD 10-30-96 S. GLATFELTER	NAME
	RLSE 10-30-96 C. THOMAS	LEAD ASS'Y, DBL. END, POS. STOP, LGH-1
FINISH  SEE CALLOUTS	PRODUCT SPEC -	SIZE
	APPLICATION SPEC -	CAGE CODE 00779
WEIGHT -	SCALE 2:1	DRAWING NO 862550
		SHEET 1 OF 1

单击下面可查看定价，库存，交付和生命周期等信息

[>>TE Connectivity\(泰科\)](#)