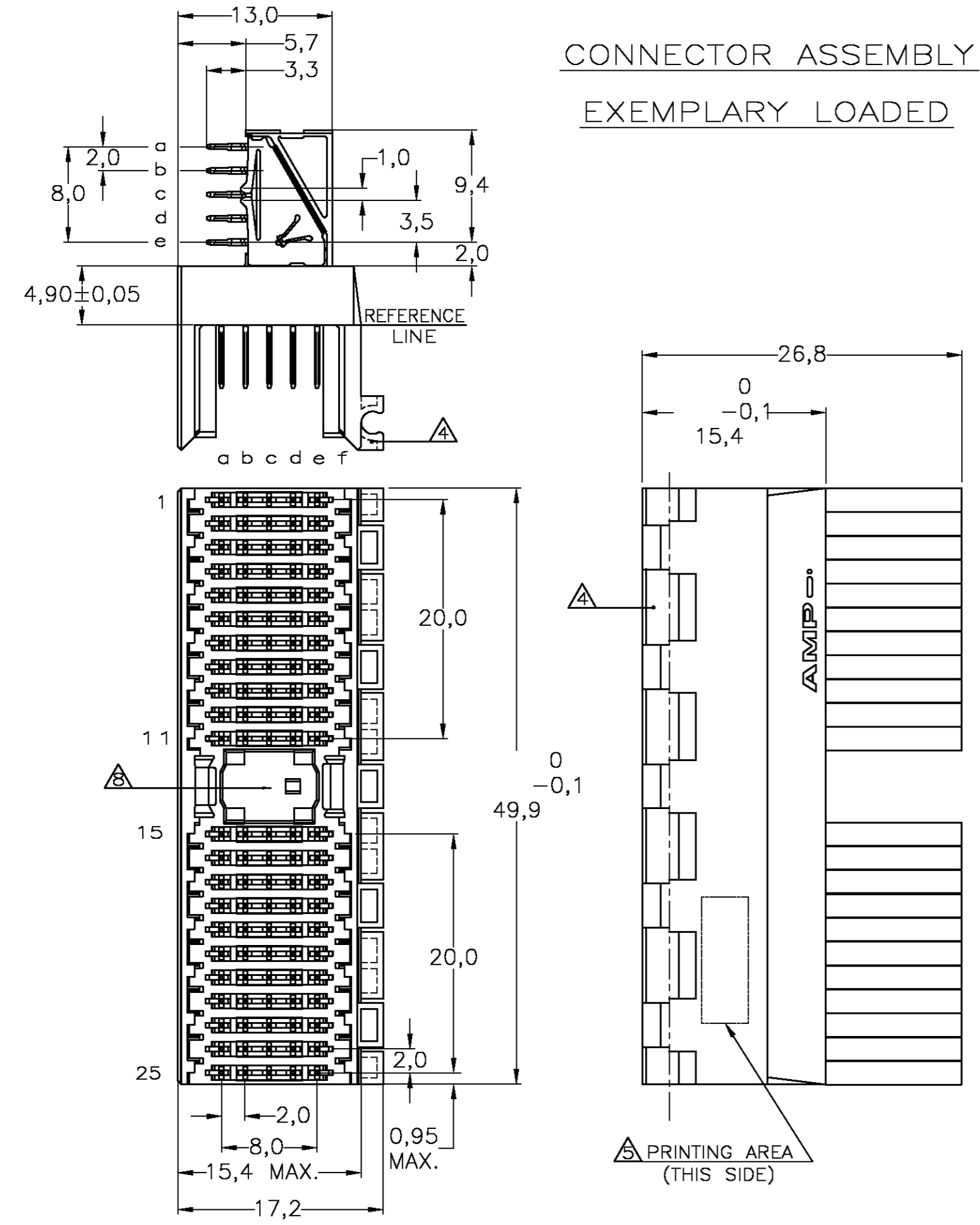
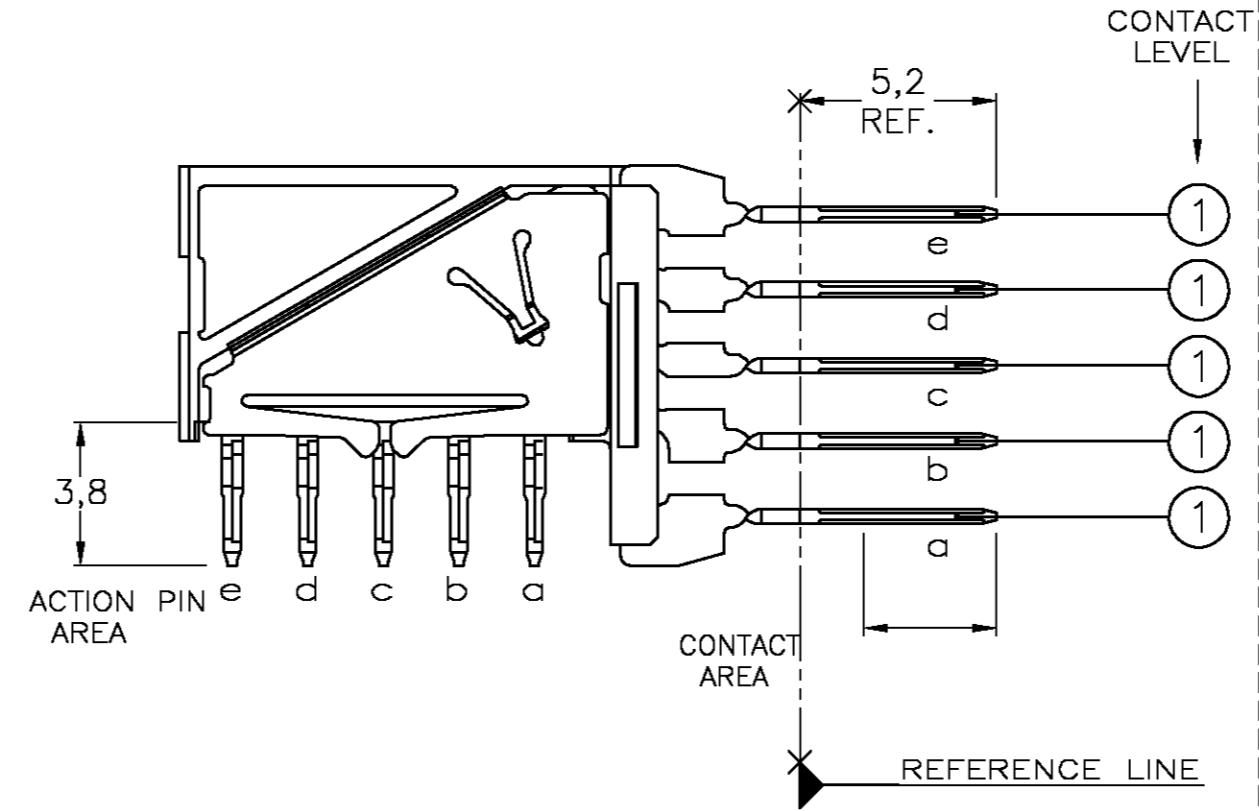


THIS DRAWING IS UNPUBLISHED. RELEASED FOR PUBLICATION
 © COPYRIGHT BY TYCO ELECTRONICS CORPORATION. ALL RIGHTS RESERVED.

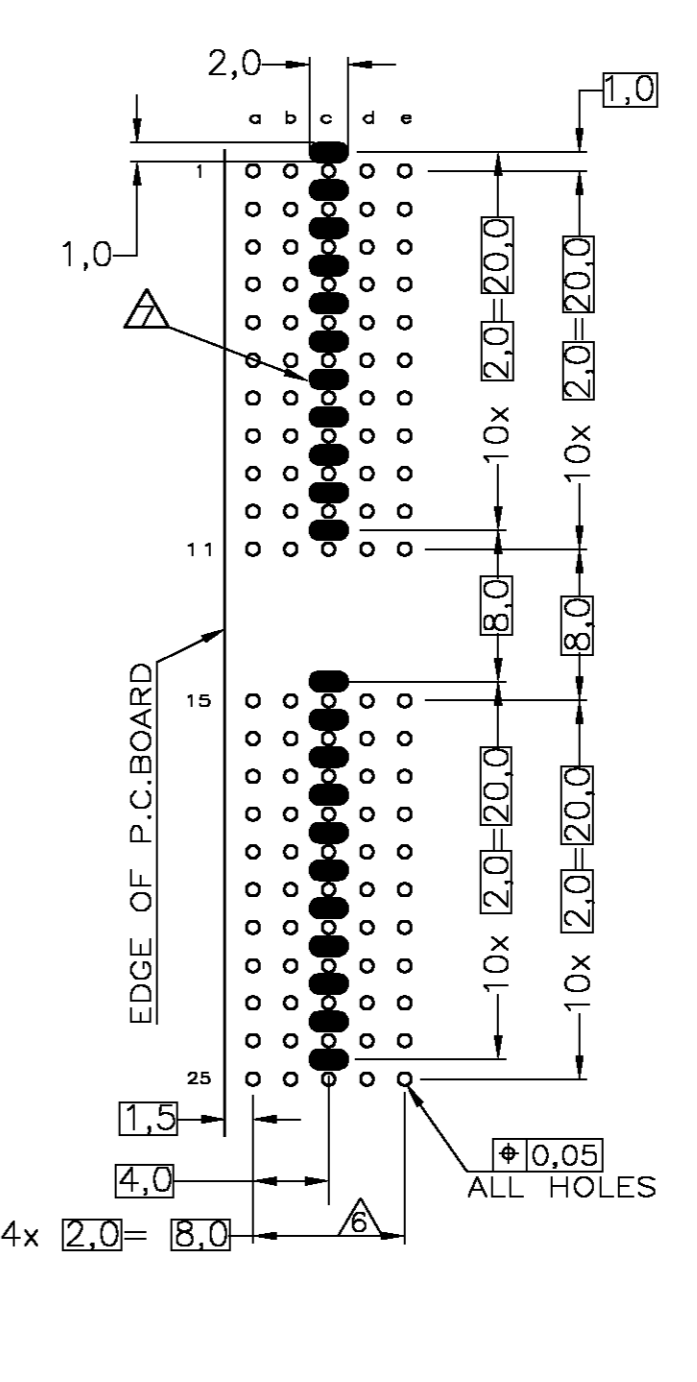


CONTACT DIMENSIONS

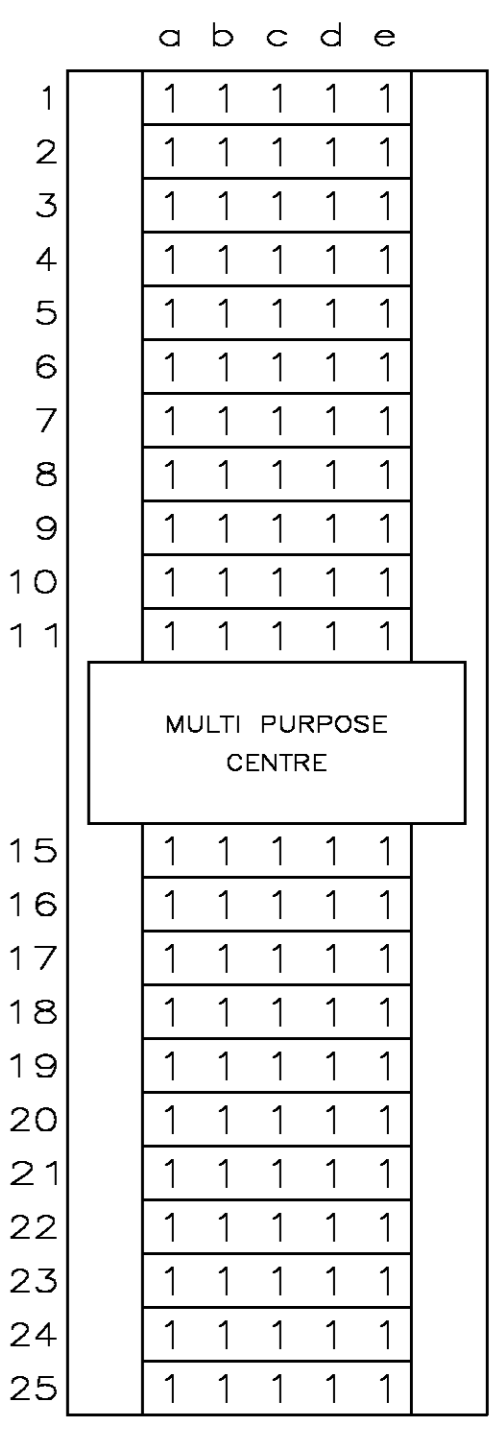


Loc	DIST	REVISIONS					
		P	LTR	DESCRIPTION	DATE	DWN	APVD
H	-	D		EH10-0680-05	06-06-05	BSV	BM
		D1		ECR-06-002635	07-02-06	BSV	BM
		E		ECR-06-026577	14-11-06	BSV	BM

RECOMMENDED PCB-HOLE LAY-OUT COMPONENT SIDE SHOWN



CONTACT LAYOUT



P.C.B. HOLE DIM. ACTION PIN FOR DETAILS SEE APPLICATION SPECIFICATION

- NOTES:**
- ▲ MATERIAL HOUSING: GREY GLASSFILLED POLYESTER
UL-RATING V0
CONTACT: PHOSPHORBRONZE
 - ▲ GENERAL CONTACT PLATING SPECIFICATION: UNDERPLATING (ENTIRE CONTACT): 1,27µm NICKEL MIN. AND ACTION PIN: 0,5µm TIN-LEAD MIN.
FOR PLATING OF MATING SURFACES SEE APPLICABLE SPECIFICATION REFERENCE FOR EACH DASH NUMBER.
REDUCED CROSS-TALK SHIELD: GOLD FLASH OVER 1,27µm NICKEL MIN.
 - ▲ CONFORMS TO ALL TESTING ACCORDING IEC 61076-4-101 PERFORMANCE LEVEL 2.
 - ▲ CONNECTOR ASSEMBLY WITH LATCH HINGE FOR CABLE CONNECTOR.
 - ▲ CONNECTOR PRINTED WITH PARTNUMBER AND DATECODE
 - ▲ PLATED-THROUGH HOLES AT 2x2mm SQUARE GRID.
 - ▲ PLATED SPOT ONLY ON COMPONENT SIDE, FORMING ONE CONTACT WITH PLATED THROUGH HOLES OF ROW C
 - ▲ AREA FOR KEYING PART (BASIC PART NUMBER 100525).

▲▲	▲	1-352271-1 ▲
▲▲	▲	352271-1
CONTACT FINISH	MATERIAL	PARTNUMBER

THIS DRAWING IS A CONTROLLED DOCUMENT.		DWN 12FEB98 L.V.D.HEIJDEN	tyco Tyco Electronics Corporation s-Hertogenbosch, Netherlands,	
DIMENSIONS: mm		CHK 12FEB98 D.TRUREN	F.V.KONINGSBRUGGE	
TOLERANCES UNLESS OTHERWISE SPECIFIED:		APVD -	NAME	
0 PLC ± -		PRODUCT SPEC	108-19082	
1 PLC ± -		APPLICATION SPEC	114-19029	
2 PLC ± -		WEIGHT	-	
3 PLC ± -		SIZE	A2	
4 PLC ± -		CAGE CODE	00779	
ANGLES ± -		DRAWING NO	C=352271	
FINISH		RESTRICTED TO	-	
MATERIAL		SCALE	NTS	
-		SHEET	1 OF 1	
-		REV	E	
-		CUSTOMER DRAWING	-	

单击下面可查看定价，库存，交付和生命周期等信息

[>>TE Connectivity\(泰科\)](#)