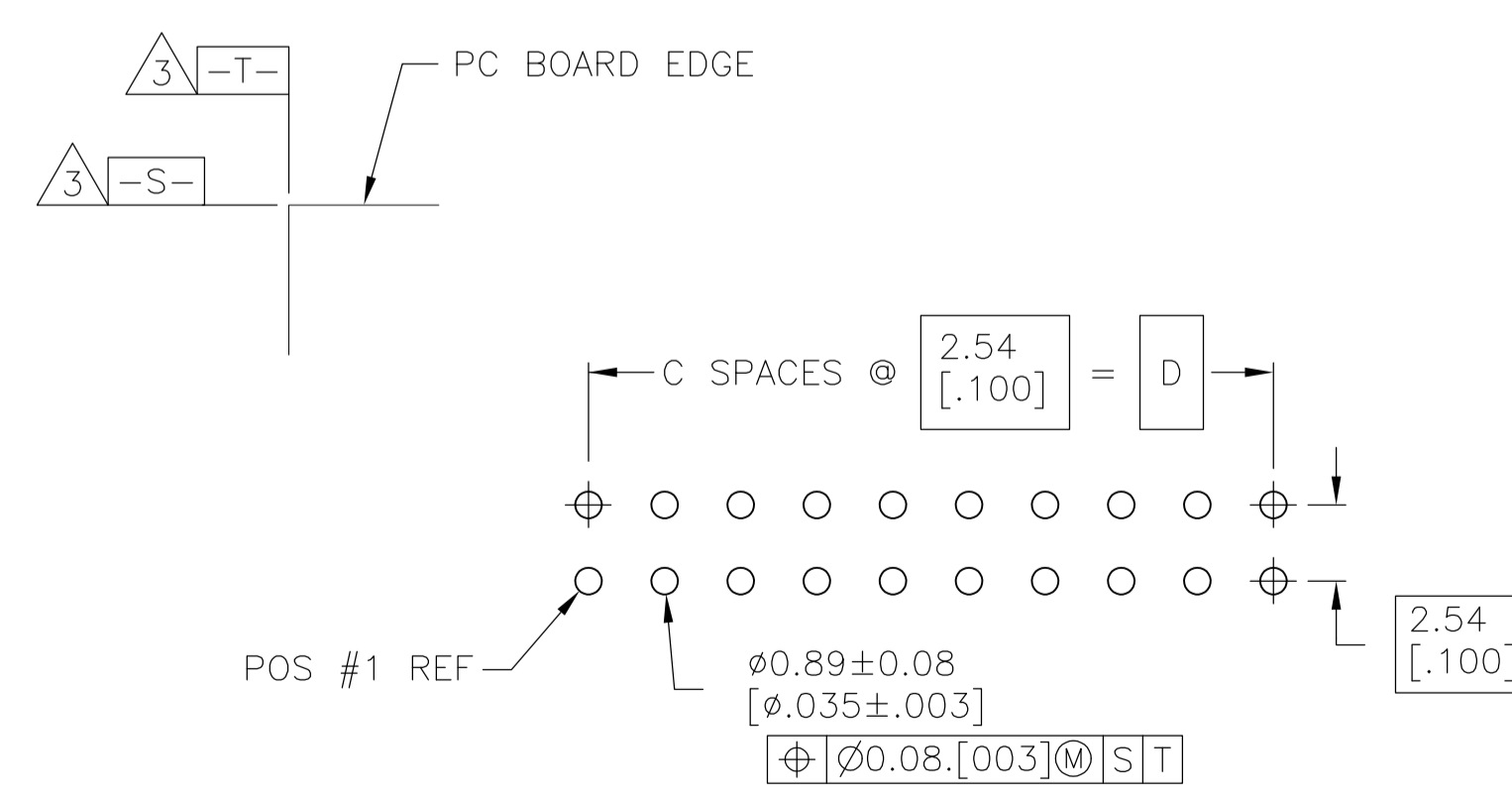
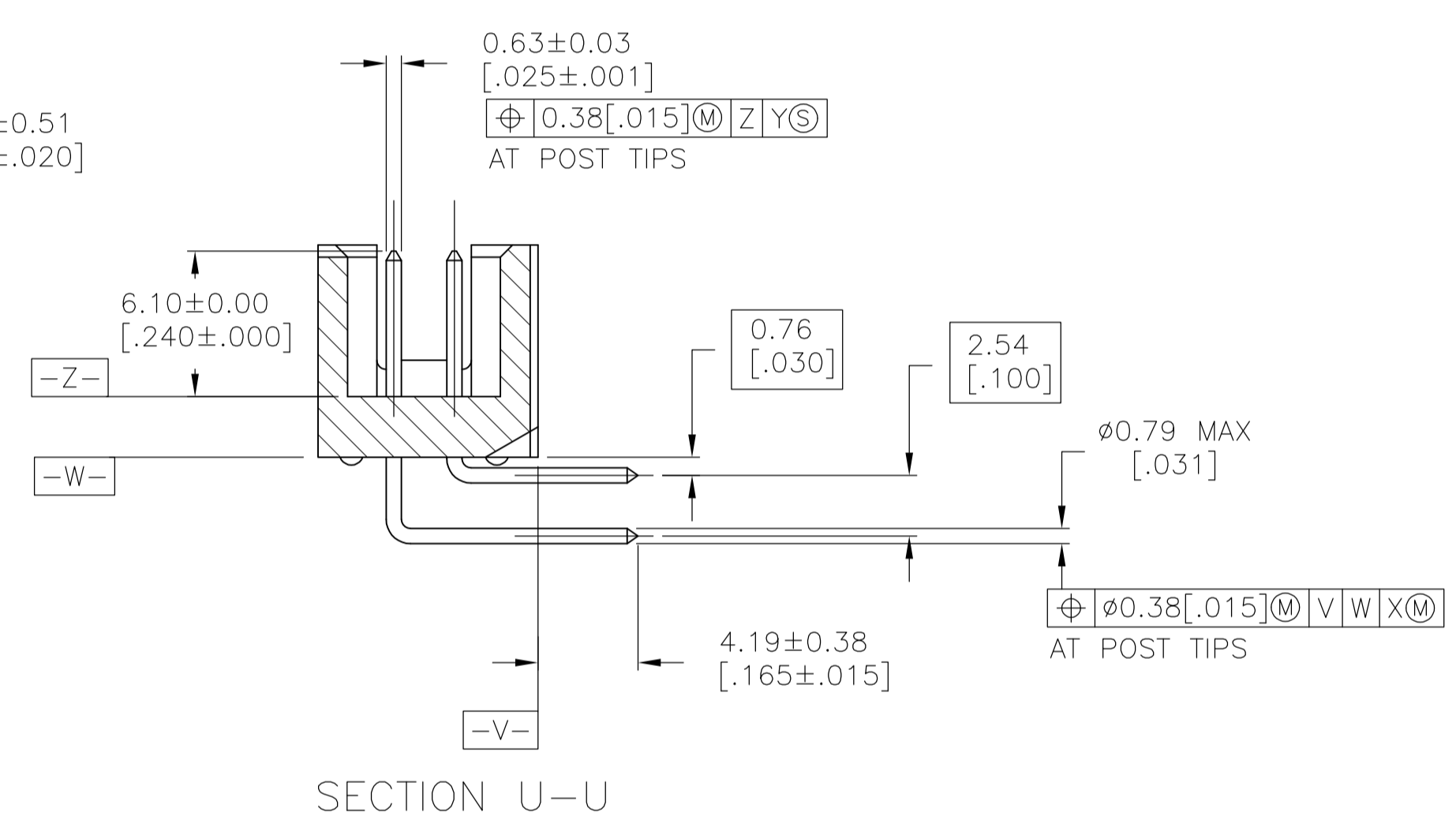
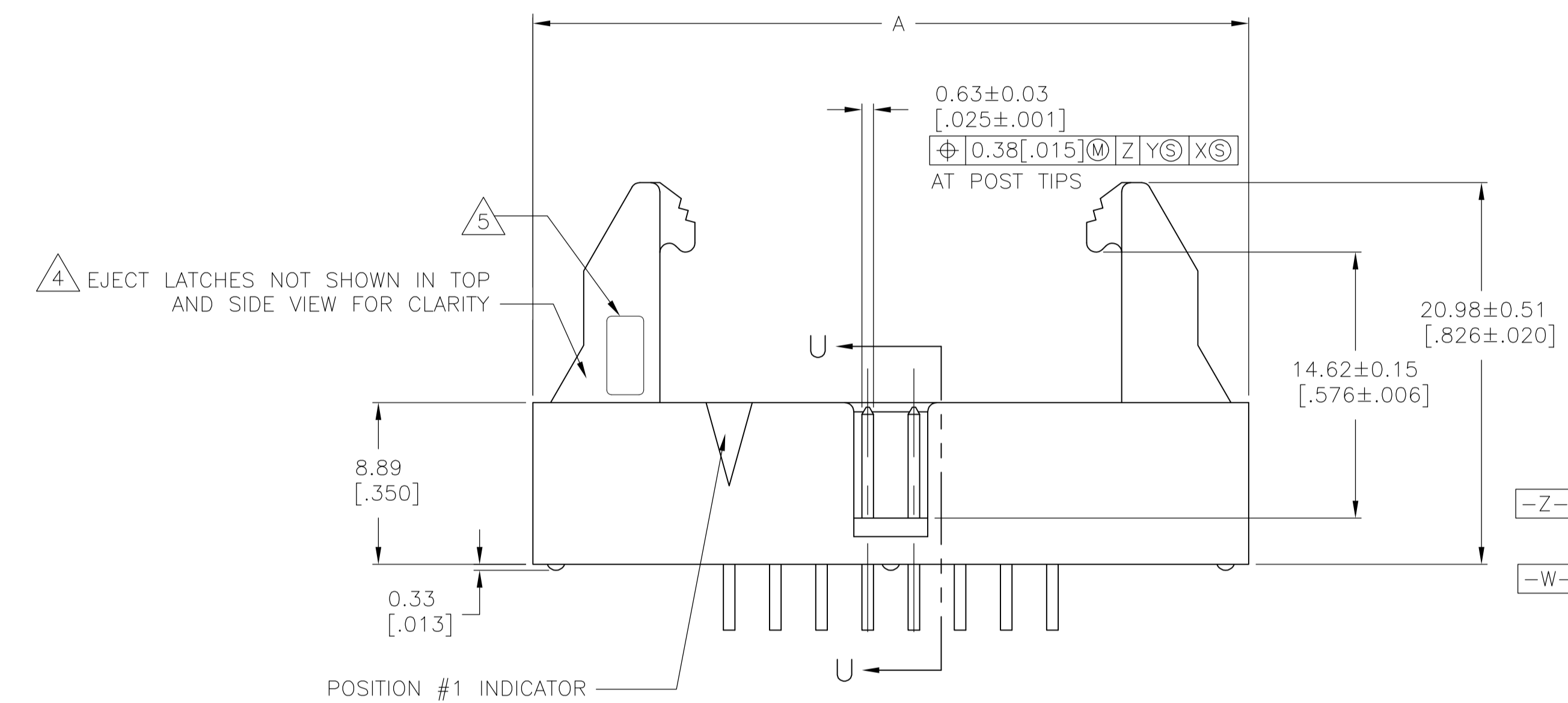


- 1 HOUSING & EJECT LATCHES: PBT, UL94V-0, COLOR BLUE. POSTS: PHOSPHOR BRONZE.
- 2 POSTS: 0.00076[.000030] MIN GOLD ON MATING AREA, 0.00254[.000100] MIN TIN ON SOLDER END, ALL OVER 0.00127[.000050] MIN NICKEL ON ENTIRE POST.
- 3 DATUMS S & T TO BE ESTABLISHED BY CUSTOMER.
- 4 LONG EJECT LATCHES FOR MATING IDC/AMP-LATCH STYLE RECEPTACLES WITH A STRAIN RELIEF
- 5 MANUFACTURER'S LOGO TO BE LOCATED IN APPROXIMATE AREA SHOWN.



	48.26 [1.900]	19	55.88 [2.200]	69.85 [2.750]	40	1-1761692-3
	40.64 [1.600]	16	48.26 [1.900]	62.23 [2.450]	34	1-1761692-1
OBSOLETE	30.48 [1.200]	12	38.10 [1.500]	52.07 [2.050]	26	1761692-9
OBSOLETE	22.86 [.900]	9	30.48 [1.200]	44.45 [1.750]	20	1761692-7
OBSOLETE	17.78 [.700]	7	25.40 [1.000]	39.37 [1.550]	16	1761692-6
	10.16 [.400]	4	17.78 [.700]	31.75 [1.250]	10	1761692-3
	D	C	B	A	NO OF POS	PART NUMBER

RECOMMENDED PC BOARD LAYOUT
(VIEWED FROM CONNECTOR SIDE)

THIS DRAWING IS A CONTROLLED DOCUMENT.

DIMENSIONS: mm [INCHES]	TOLERANCES UNLESS OTHERWISE SPECIFIED:	0 PLC ± -	1 PLC ± -	2 PLC ± -	3 PLC ± 0.13[.005]	4 PLC ± -	ANGLES ± -
MATERIAL		FINISH		SIZE		WEIGHT	
1		2		A1		00779	
CUSTOMER DRAWING		SCALE 4:1		SHEET 1 OF 1		REV B	

DYN B. CRISAMORE/D1 05JUN05
 CJK S. BOLASH 05JUN05
 APVD M. WALMSLEY 05JUN05
 NAME Tyco Electronics Corporation
 Tyco Electronics Corporation
 Harrisburg, PA 17105-3608
 PRODUCT SPEC
 APPLICATION SPEC
 DRAWING NO. 1761692
 RESTRICTED TO

单击下面可查看定价，库存，交付和生命周期等信息

[>>TE Connectivity\(泰科\)](#)