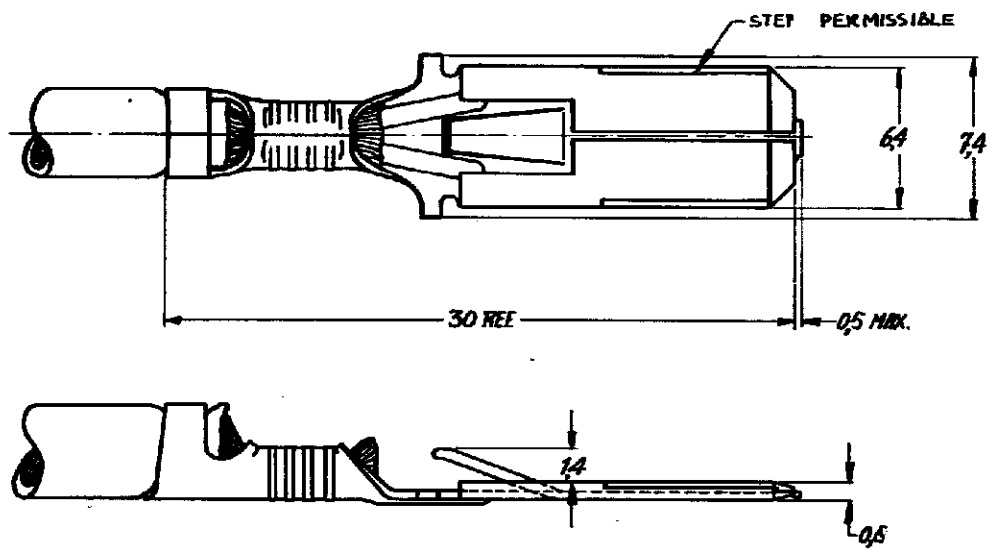


NUMBER C-160450-E

DRAWING MADE IN AMERICAN PROJECTION

REVISIONS

P	LTR	DESCRIPTION MODIFICATIONS	DATE	DWN	APVD
C1		REVISED PER ECO-10-000445	18JAN10	JK	HMR



- 1 FOR USE ON STANDARD APPLICATORS (RIGHT-LEFT FEED)
- 2 FOR USE ON MINIATURE APPLICATORS (LEFT-RIGHT FEED ; AMP-O-MATOR APPLICATORS)
- 3 OBSOLETE PARTS: OBSOLETE CIS STREAMLINING PER D.RENAUD/D.SINISI

DIMENSIONS IN IN. DO NOT SCALE PRINT

160450-6	PHOSPHOR BR	TIN-LEAD	H2
160450-5	BRASS	SILVER	1
160450-4	BRASS	NONE	1
160450-3	PHOSPHOR BR.	SILVER	1
160450-2	PHOSPHOR BR.	TIN	H2
160450-1	PHOSPHOR BR.	—	1
ORDER NO.	MATERIAL	PLATING	WIRE
DR 123-2-68	DATE DE 2/1/68	DATE 2/1/68	DATE 2/1/68
CHK	DATE	APP	DATE

CUSTOMER COPY FOR REFERENCE ONLY

©1968 BY AMP-HOLLAND N.V. ALL RIGHTS RESERVED A-MP PRODUCTS COVERED BY PATENTS AND/OR PATENTS PENDING.

AMP
AMP-HOLLAND N.V.
HERTOGENBOSCH
HOLLAND

WIRE RANGE 08-25 mm ²	INSUL. RANGE 3-4 mm	FIRST USED
SCALE 4:1	LOC H	SIZE A
NO C-160450-E		REV C1
NAME 250 SERIES FASTIN-FASTON TAB		

单击下面可查看定价，库存，交付和生命周期等信息

[>>TE Connectivity\(泰科\)](#)