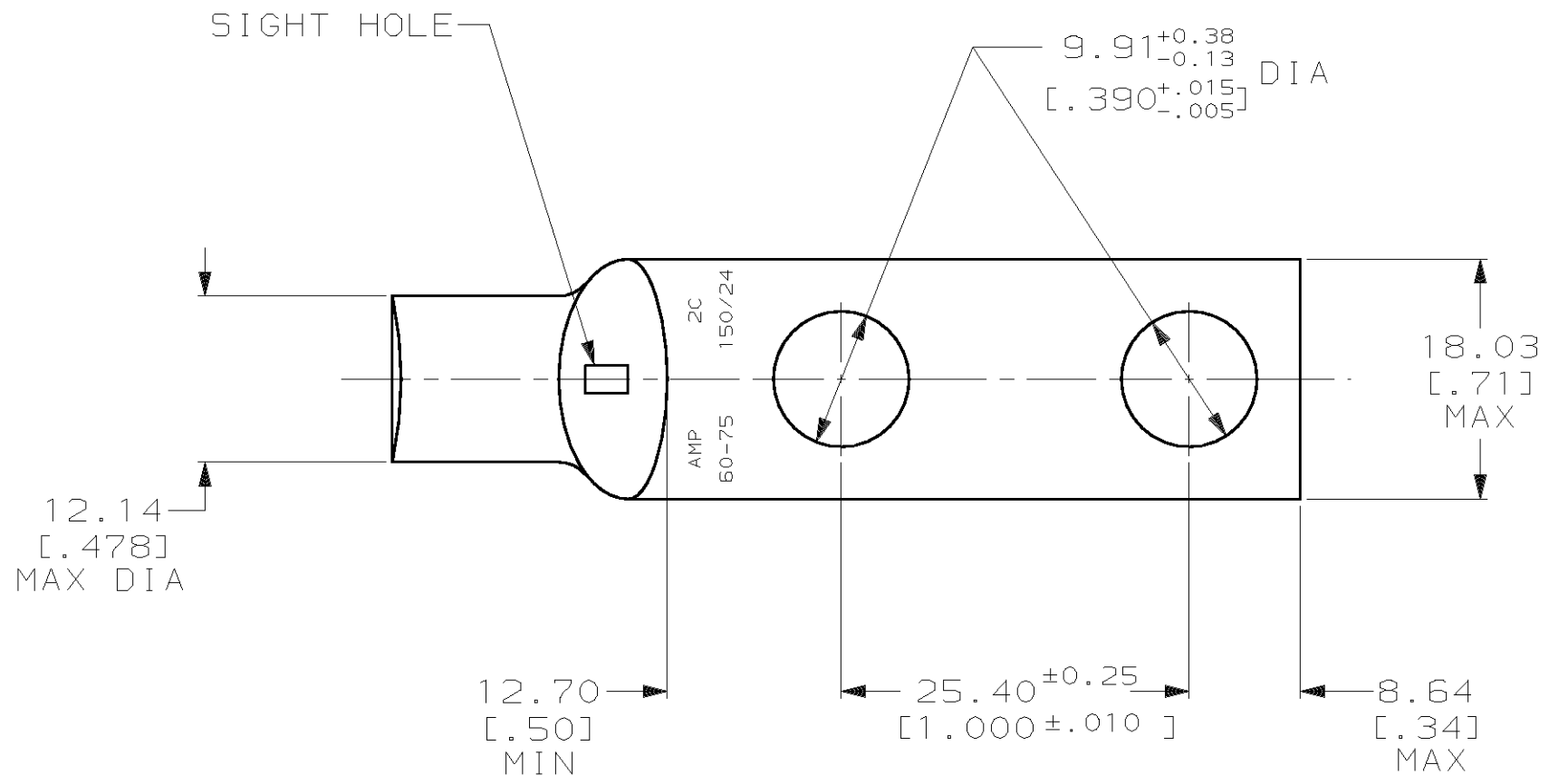
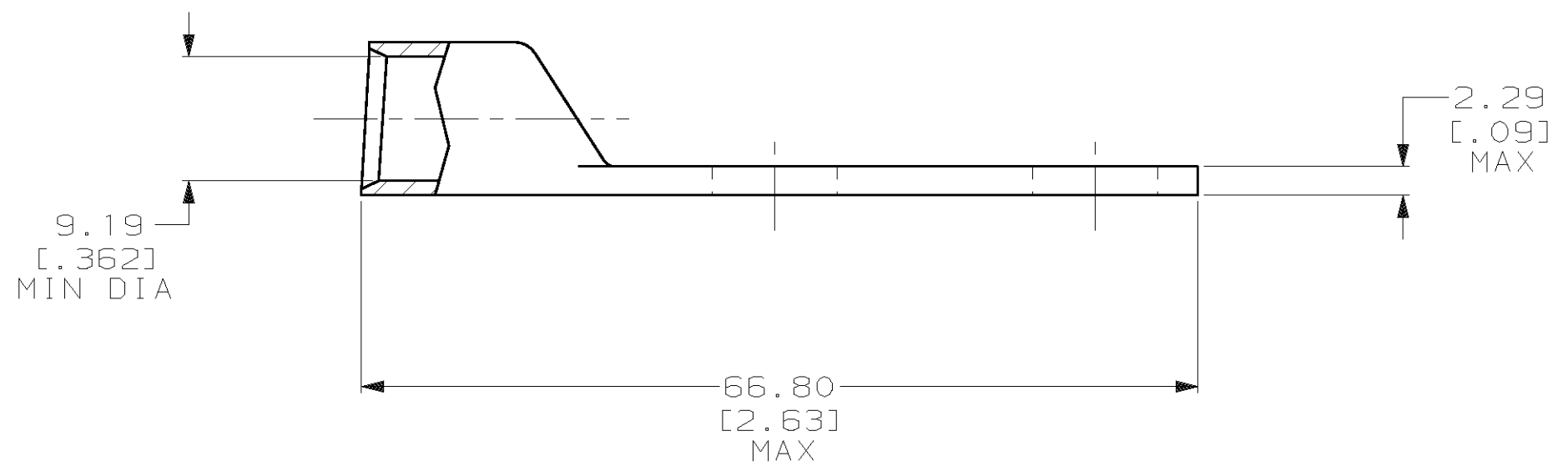


THIS DRAWING IS UNPUBLISHED. RELEASED FOR PUBLICATION  
 © COPYRIGHT 19 BY AMP INCORPORATED. ALL INTERNATIONAL RIGHTS RESERVED.

| LOC |  | DIST |  | P |  | F |  | ZONE |  | LTR |  | REVISIONS |                      | DATE    | APPD  |
|-----|--|------|--|---|--|---|--|------|--|-----|--|-----------|----------------------|---------|-------|
| G   |  | 86   |  |   |  |   |  |      |  |     |  | V         | REV PER 0G3A-0561-01 | 09OCT02 | JR/MS |



1 CIRCULAR MIL AREA RANGE: 52,600-83,700 CM  
 2 TIN PL 0.00381 [0.000150] MIN THK PER MIL-T-10727



326799

326799

PART NO

|   |  |                             |  |  |  |
|---|--|-----------------------------|--|--|--|
| DO NOT SCALE PRINT. UNLESS SPECIFIED DIMENSIONS IN mm [INCHES] TOLERANCES ON :<br>2 PLC DEC ± 0.51 [0.020]<br>3 PLC DEC ± -<br>ANGLES ± - |  | DR 02/28/90<br>DK SCHRUM    |  | AMP INCORPORATED<br>Harrisburg, Pa. 17105      |  |
| MATERIAL<br>ANNEALED COPPER<br>ASTM B-75  |  | CHK 18JAN95<br>MS FEHER     |  |  |  |
| FINISH<br>2   |  | APPD 18JAN95<br>WJ VOCKROTH |  | NAME<br>TERMINAL, AMPOWER™<br>WIRE SIZE: 2 AWG |  |
| APPLICATION SPEC<br>-   |  | APPD 18JAN95<br>TL SHUTTER  |  | DRAWING NO<br>326799                           |  |
| WEIGHT<br>.038 LB   |  | PRODUCT SPEC<br>108-30200   |  | SCALE<br>2:1                                   |  |
|   |  | CAGE CODE<br>00779          |  | SHEET<br>1 OF 1                                |  |

**METRIC**

单击下面可查看定价，库存，交付和生命周期等信息

[>>TE Connectivity\(泰科\)](#)