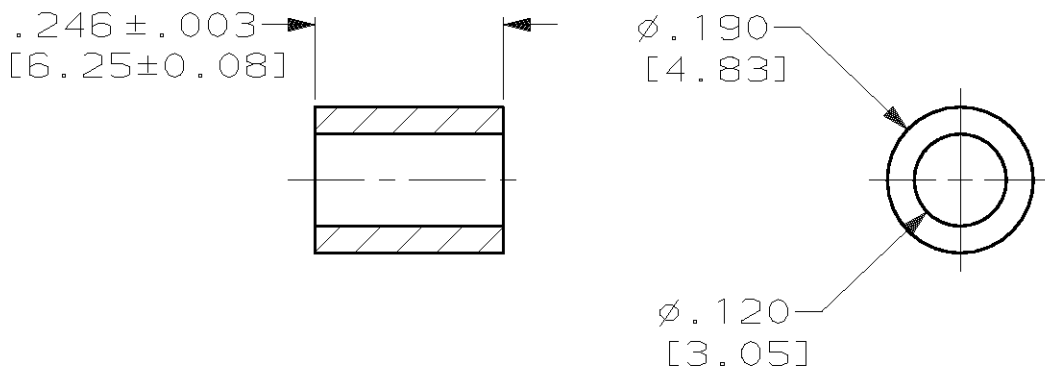


LOC	DIST	REVISIONS					
DF	DO	P	LTR	DESCRIPTION	DATE	DWN	APVD
		B		PER EC 0GED-0584-01 DBK	8/02	CT	CB

- 1 MATERIAL: ALUMINUM ALLOY PER ASTM-B-211.
- 2 IRIDITE PER MIL-C-5541 CLASS 3, COLOR: COLD



2	BULK PACKAGE	2	443279-1	443279-3
2	ONE KIT PER BAG	2	443279-1	443279-2
2	-	AR	1	443279-1
FINISH	PACKAGING	QTY	MATERIAL	PART NUMBER

THIS DRAWING IS UNPUBLISHED.

BY AMP INCORPORATED. ALL RIGHTS RESERVED.

DIMENSIONS: IN [mm]	DWN	04-03-95	MATERIAL	SEE TABLE	FINISH	SEE TABLE
	CHK	04-03-95	AMP Incorporated Harrisburg, PA 17105-3608			
TOLERANCES UNLESS OTHERWISE SPECIFIED:	APVD	04-03-95				
0 PLC ±-	PRODUCT SPEC	-	NAME			
1 PLC ±-	APPLICATION SPEC	-	SPACER, LOW PROFILE			
2 PLC ±-	WEIGHT	-	SIZE	CAGE CODE	DRAWING NO	
3 PLC ±.005 [0.13]			A4	00779	C-443279	
4 PLC ±-			SCALE 4:1 SHEET 1 OF 1 REV B			
ANGLES ±-			CUSTOMER DRAWING			

单击下面可查看定价，库存，交付和生命周期等信息

[>>TE Connectivity\(泰科\)](#)