

THIS DRAWING IS UNPUBLISHED.

RELEASED FOR PUBLICATION

2011

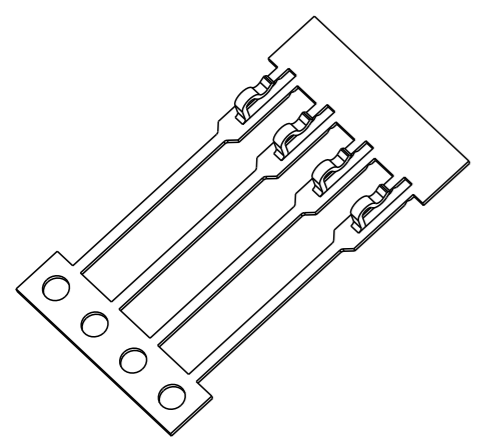
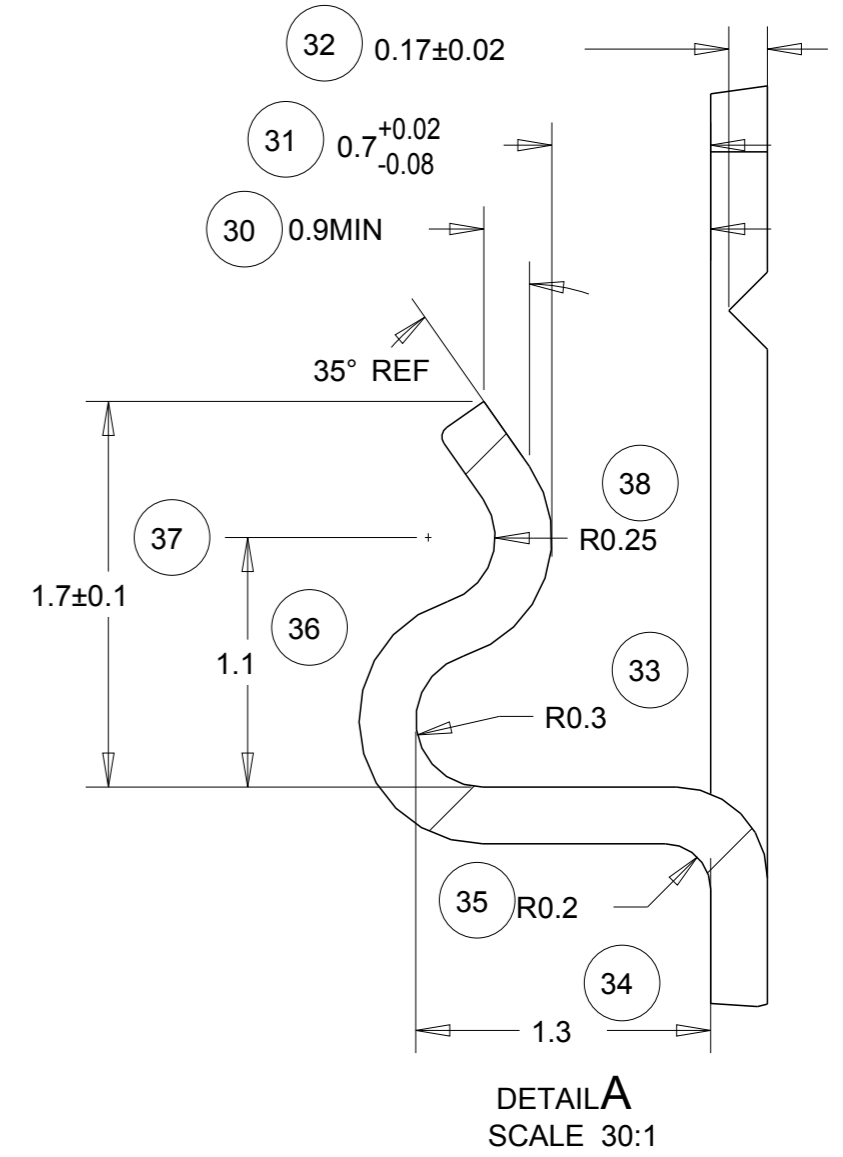
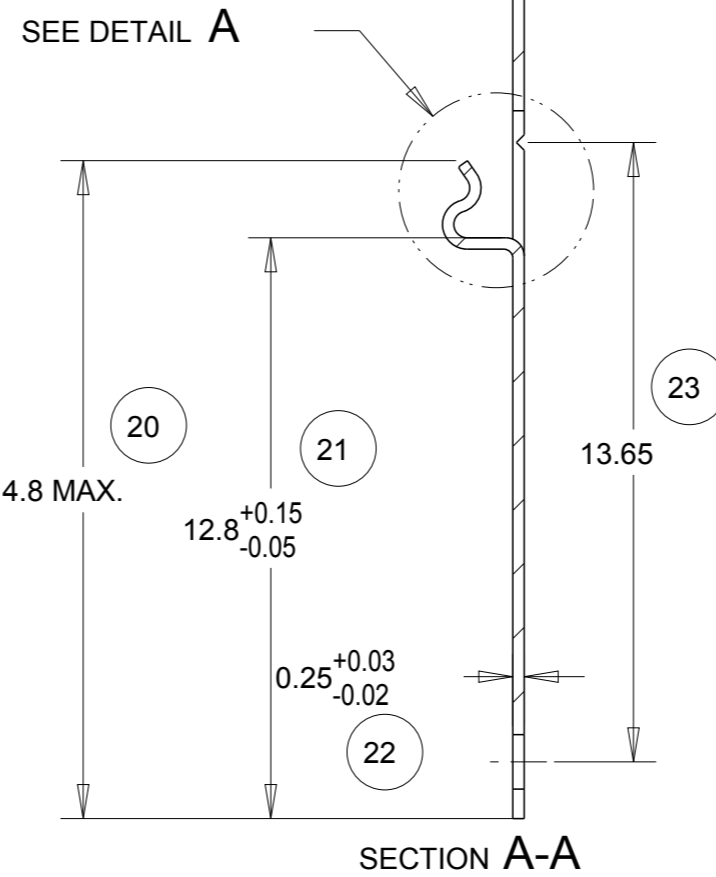
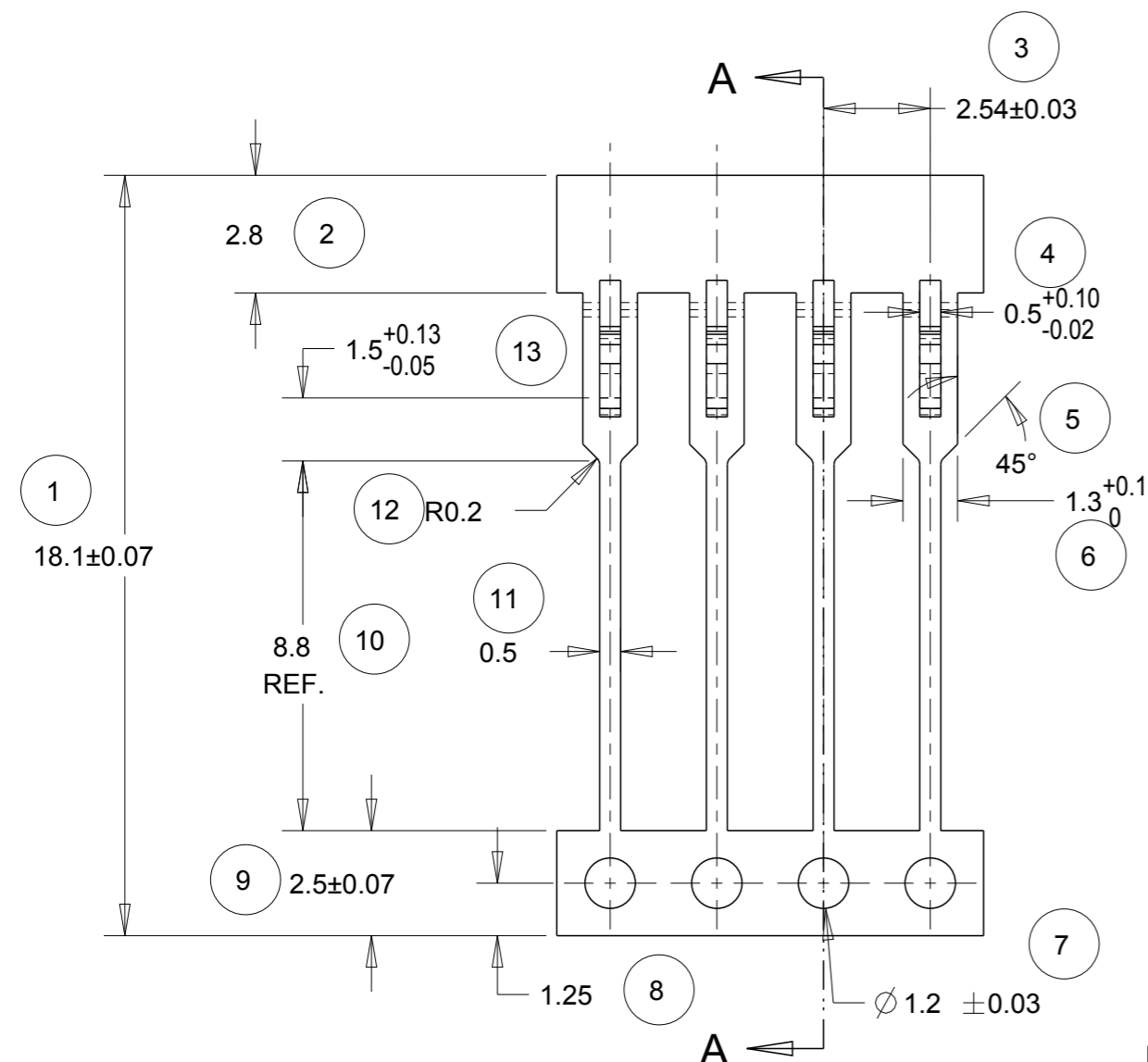
© COPYRIGHT 2011 TE CONNECTIVITY

ALL RIGHTS RESERVED.

LOC B DIST -

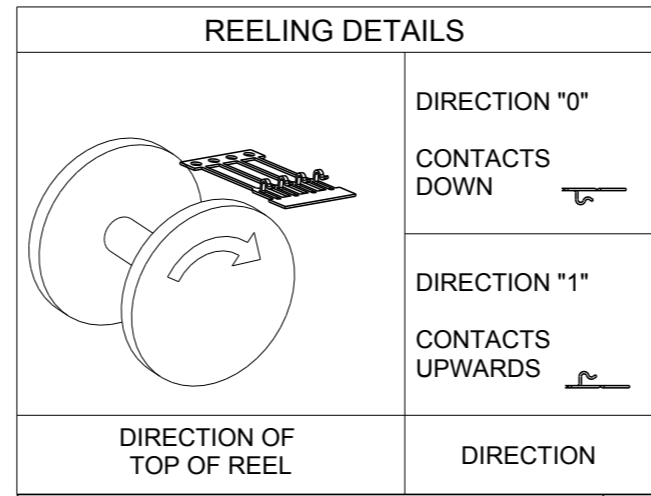
REVISIONS

| P | LTR | DESCRIPTION | DATE | DWN | APVD |
|---|-----|---------------|----------|-----|------|
| D | | ECR-11-015005 | 19/07/11 | JB | MG |
| E | | ECR-11-015626 | 02/08/11 | MJG | JA |



SCALE 3:1

NOTE
 BOWING: AFTER UPPER TIE BAR REMOVAL- 1.5mm MAX. FOR 500mm
 PITCH: AFTER UPPER TIE BAR REMOVAL- 2.54±0.127



| | | | |
|--|--|----------------------------|----------------------|
| THIS DRAWING IS A CONTROLLED DOCUMENT. | | DWN J.BRIGHT 19/07/11 | TE Connectivity |
| DIMENSIONS: mm | | CHK M.GREENER 19/07/11 | |
| TOLERANCES UNLESS OTHERWISE SPECIFIED: | | APVD D.PENNINGTON 19/07/11 | |
| 0 PLC ±- 1 PLC ±0.1 2 PLC ±0.05 3 PLC ±- 4 PLC ±- ANGLES ±0.5 FINISH - | | PRODUCT SPEC - | |
| MATERIAL SEE TABLE | | APPLICATION SPEC - | NAME |
| | | WEIGHT - | SIZE A3 |
| | | CUSTOMER DRAWING | CAGE CODE 00779 |
| | | | DRAWING NO C-1544337 |
| | | | RESTRICTED TO |
| | | | SCALE NTS |
| | | | SHEET 1 OF 1 |
| | | | REV E |

| | | | |
|-----------------|-----------|--------------|---------------|
| 0 | Ni & Sn | Ph Bz | 1544337-2 |
| REELING | FINISH | MATERIAL | PART NO |
| SIL CONTACT | | | |
| TE Connectivity | | | |
| SIL CONTACT | | | |
| SIZE | CAGE CODE | DRAWING NO | RESTRICTED TO |
| A3 | 00779 | C-1544337 | |
| SCALE NTS | | SHEET 1 OF 1 | REV E |

单击下面可查看定价，库存，交付和生命周期等信息

[>>TE Connectivity\(泰科\)](#)