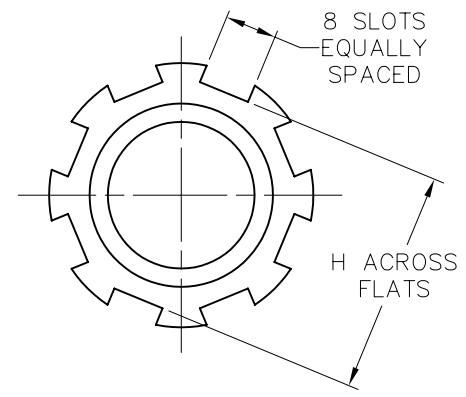
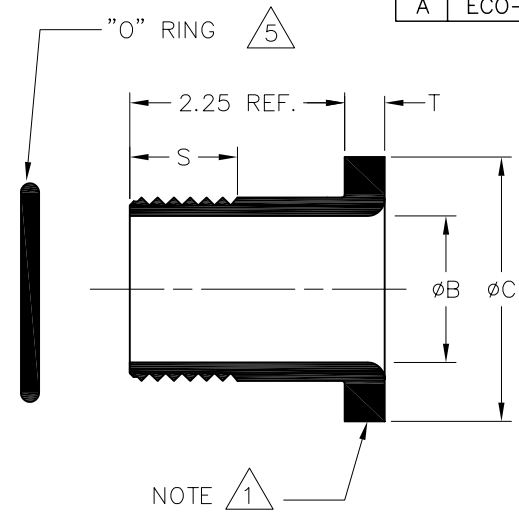
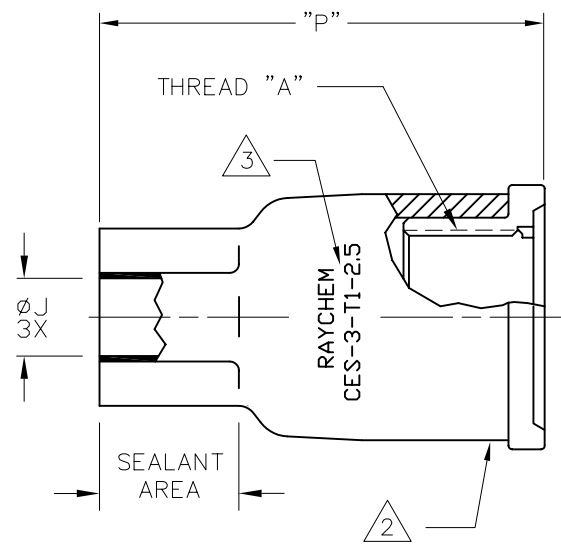
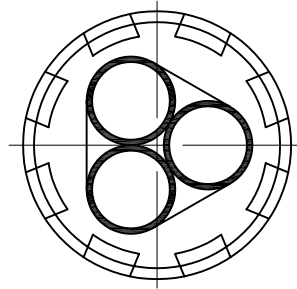


REVISIONS		
LTR	DESCRIPTION	DATE
A	ECO-09-002038	01/26/2009



PART DESCRIPTION	"A" THREAD	ØB MIN	ØC MAX	H REF	ØJ		P REF REC	S REF	T REF	PANEL THK ⁴	DRILL HOLE DIA. (REF.)
					MIN EXP	MAX REC					
CES-3-T1-AL-2.5	1 3/8-12 UNF	1.10 [27,94]	1.91 [48,52]	1.65 [41,9]	.60 [15,3]	.17 [4,57]	3.76 [95,5]	1.25 [31,2]	.31 [7,88]	1.5 [38]	1.38 [35,1]

NOTES:

- ¹ NUT MATERIAL: ALUMINUM 6061-T6 WITH FINISH OF HARD ANODIZE PER MIL-A-8625F, TYPE III, CLASS 2, DYED BLACK AND NON-REFLECTIVE COATING.
- ² BOOT: HEAT SHRINKABLE, MATERIAL IN ACCORDANCE WITH -3 POLYOLEFIN
- ³ PART TO BE MARKED AS SHOWN.
- ⁴ THIS PART IS DESIGNED TO FIT THROUGH A PANEL OR BULKHEAD WITH A WALL THICKNESS (REF.) AS INDICATED IN TABLE.
- ⁵ O-RING MATERIAL: NITRILE (BUNA-N)

If this document is printed it becomes uncontrolled. Check for the latest revision

CUSTOMER DRAWING

UNLESS OTHERWISE SPECIFIED DIMENSIONS ARE INCHES. METRIC DIMENSIONS ARE IN BRACKETS.	DRAWN UNGUEN	APPROVED JKUSTER	 Tyco Electronics Raychem Molded Parts 305 Constitution Dr Menlo Park, CA 94025
	RPN		
DECIMAL TOLERANCES .XXX ± 0.005 [0.13 mm] .XX ± 0.01 [0.25 mm] .X ± 0.1 [0.50 mm]	THIRD ANGLE PROJECTION		SIZE B
ANGLE TOLERANCE .X ± 1 DEG.	DWG. NO. CES-3-T1-AL-2.5		CODE IDENT. NO. 06090
© 2009 Tyco Electronics Corporation. All rights reserved.			DO NOT SCALE THIS DRAWING
			SHEET 1 OF 1

单击下面可查看定价，库存，交付和生命周期等信息

[>>TE Connectivity\(泰科\)](#)