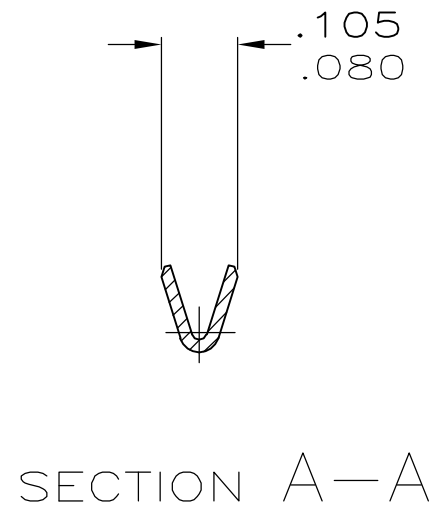
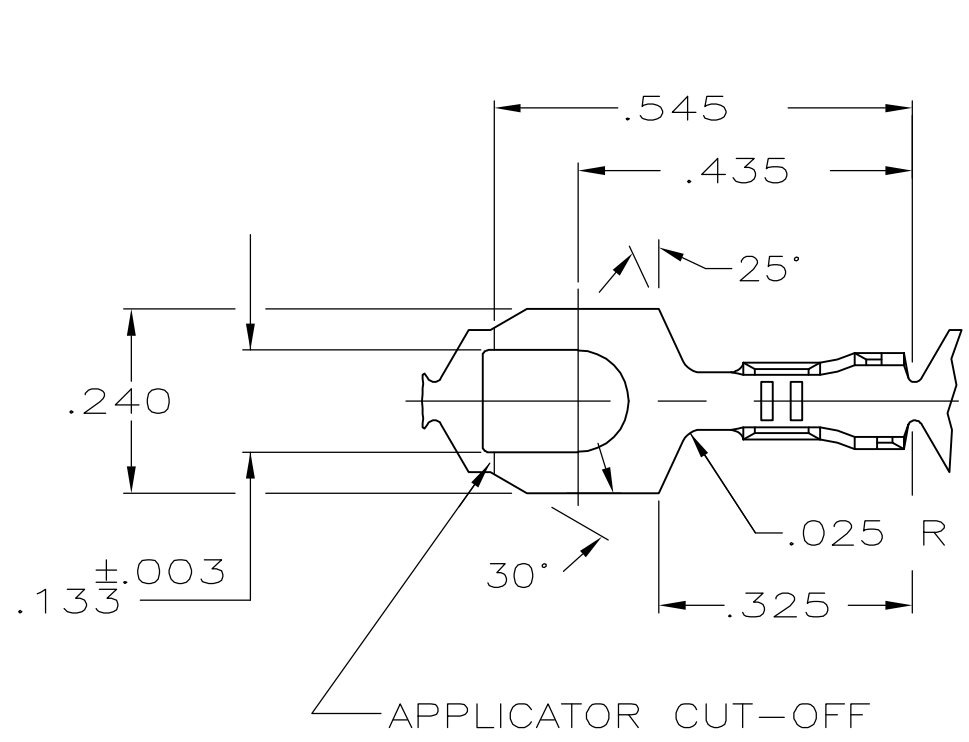
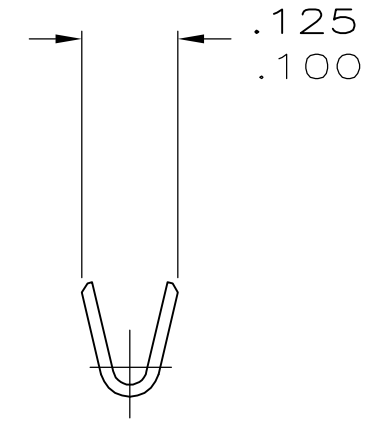
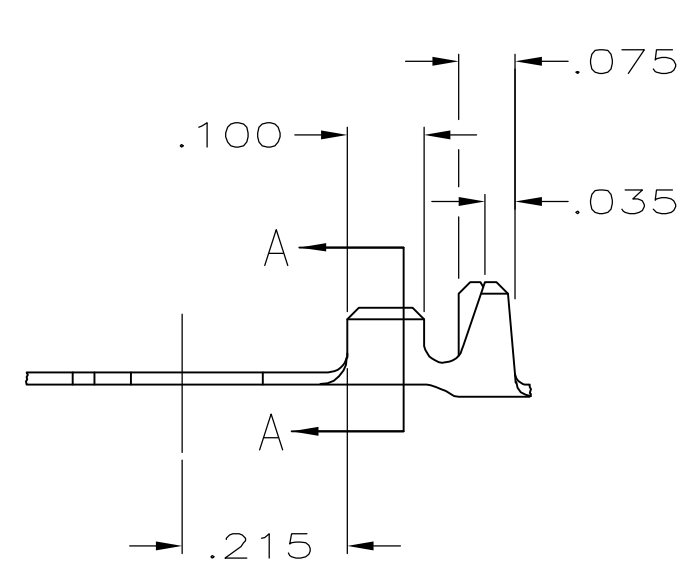


THIS DRAWING IS UNPUBLISHED. RELEASED FOR PUBLICATION
 © COPYRIGHT BY TYCO ELECTRONICS CORPORATION. ALL RIGHTS RESERVED.

LOC	DIST	REVISIONS				
P	LTR	DESCRIPTION	DATE	DWN	APVD	
AF	50	H	REVISED PER 0G1A-0454-98	08AUG05	MF DD	



- 1 CONTINUOUS STRIP ON REELS.
- 2 WIRE RANGE: #28-#22 AWG.
- 3 INSULATION RANGE: .035-.045 DIA.



NONE	350502-2
PRE-TIN	350502-1
FINISH	PART NUMBER

THIS DRAWING IS A CONTROLLED DOCUMENT.		DWN M.S. FEHER 08AUG2005	Tyco Electronics Corporation Harrisburg, Pa 17105-3608	
DIMENSIONS: INCHES		CHK D.F. DECKER 08AUG2005		
		APVD D.F. DECKER 08AUG2005	NAME SPADE	
TOLERANCES UNLESS OTHERWISE SPECIFIED:		PRODUCT SPEC	-	
0 PLC ± -		APPLICATION SPEC	-	
1 PLC ± -		WEIGHT	-	
2 PLC ± -		SIZE	A3	RESTRICTED TO
3 PLC ± .015		CAGE CODE	00779	DRAWING NO 350502
4 PLC ± -		SCALE	-	
ANGLES ± -		SHEET	1 OF 1	REV H
MATERIAL .016 BRASS		FINISH SEE TABLE	CUSTOMER DRAWING	

单击下面可查看定价，库存，交付和生命周期等信息

[>>TE Connectivity\(泰科\)](#)