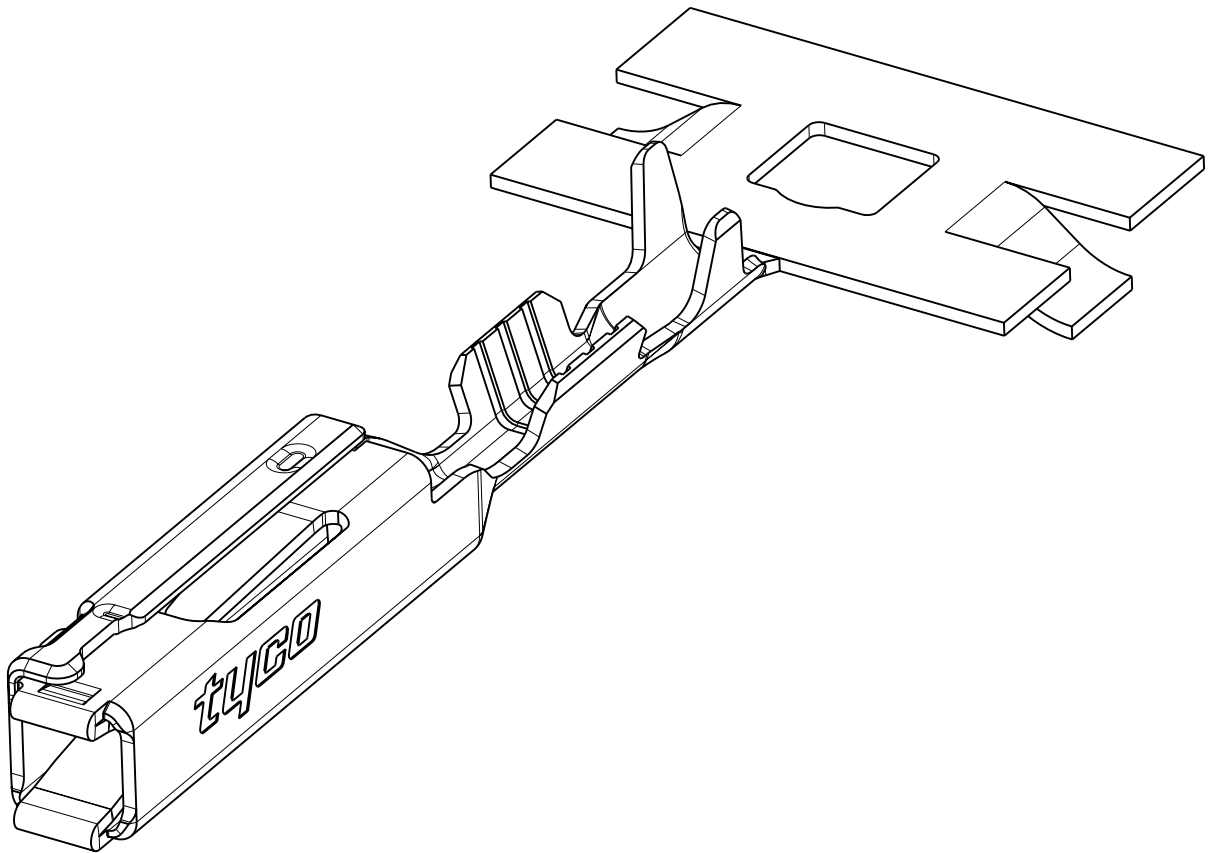


LOC	DIST	REVISIONS					
A1	-	P	LTR	DESCRIPTION	DATE	DWN	APVD
			B	INITIAL	29JUL2008	AL	GM
	B1	SEE PCN E-020720	20AUG2008	GH	GM		
	C	SEE PCN E-10-021811	25OCT2010	GH	GS		



FOR DETAILS SEE 1719957



2008

RELEASED FOR PUBLICATION

THIS DRAWING IS UNPUBLISHED.

BY TYCO ELECTRONICS CORPORATION. ALL RIGHTS RESERVED.

© COPYRIGHT 2008

DIMENSIONS: mm	DWN A.LOECSE	29JUL2008	MATERIAL	-	FINISH	-
	CHK G.S.HOTEA	29JUL2008	 Tyco Electronics AMP GmbH 64625 Bensheim (Germany)			
TOLERANCES UNLESS OTHERWISE SPECIFIED:	APVD G.MUMPER	29JUL2008				
0 PLC ±-	PRODUCT SPEC	-	NAME GET FEMALE TERMINAL, 0.2 STOCK SHEET GET BUCHSENKONTAKT, 0.2 BLECHSTAERKE			
1 PLC ±-	APPLICATION SPEC	-	SIZE	CAGE CODE	DRAWING NO	RESTRICTED TO
2 PLC ±-			A 4	00779	©-1564880	-
3 PLC ±-						
4 PLC ±-						
ANGLES ±1°	WEIGHT	-				
	CUSTOMER DRAWING		SCALE	10:1	SHEET	1 OF 1
					REV	C

单击下面可查看定价，库存，交付和生命周期等信息

[>>TE Connectivity\(泰科\)](#)