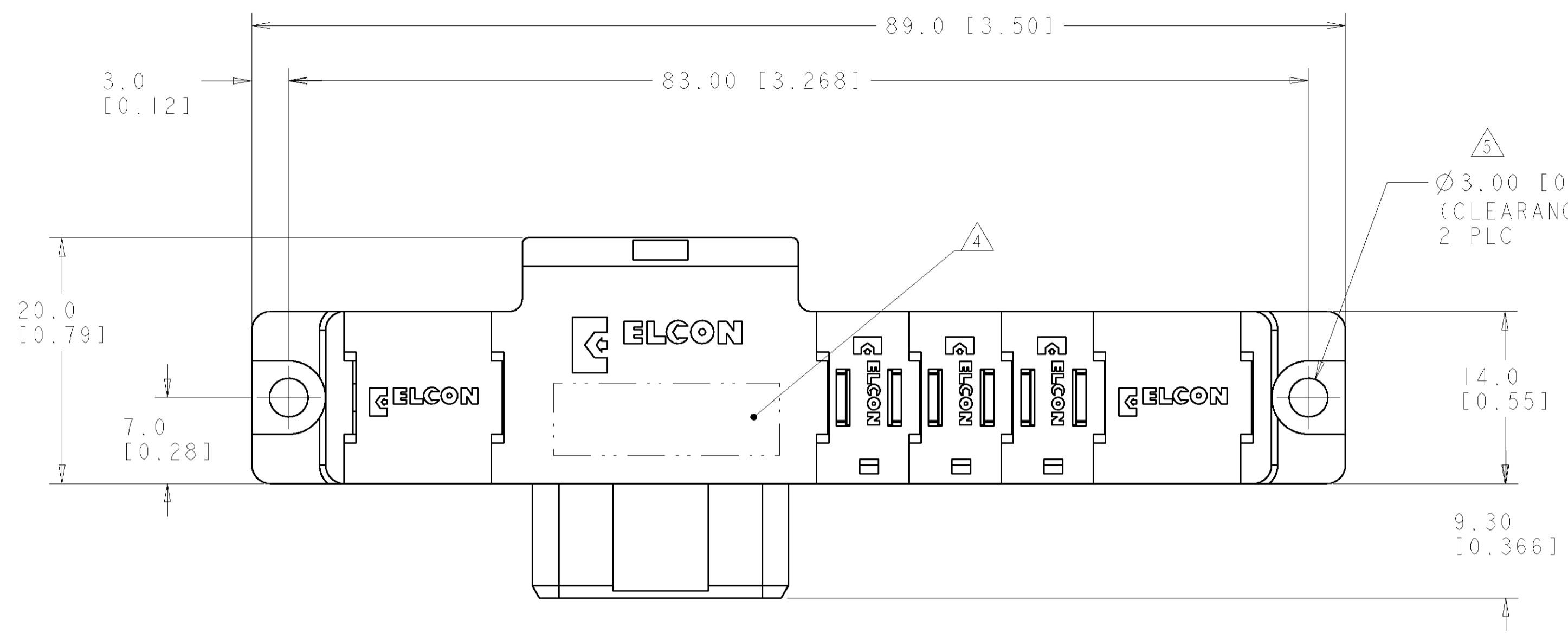


LOC	DIST	REVISIONS			
P	LTR	DESCRIPTION	DATE	DRN	APVD
A		NEW RELEASE	19JUN07	RG	PD



- PART NUMBER CHANGES AND OR DESIGN CHANGES AFFECTING ITEM INTERCHANGEABILITY REQUIRE PRIOR TYCO ELECTRONICS APPROVAL AND AUTHORIZATION BY REVISION TO THIS DRAWING.
- MATERIAL:
 - INSULATORS - THERMOPLASTIC, GLASS REINFORCED, UL94V-0 FLAMMABILITY RATED. COLOR: BLACK
 - CROWN BAND HOLDER - PHOSPHOR BRONZE ALLOY, BERYLLIUM COPPER ALLOY
 - SIGNAL CONTACTS - BRASS ALLOY
- FINISH:
 - CONTACTS - GOLD PLATE 0.76µm MIN. THK., OVER NICKEL 1.27µm MIN. THK.
 - SOLDER TAILS TIN, 3.05µm MIN. THK. OVER NICKEL 1.27µm MIN. THK.

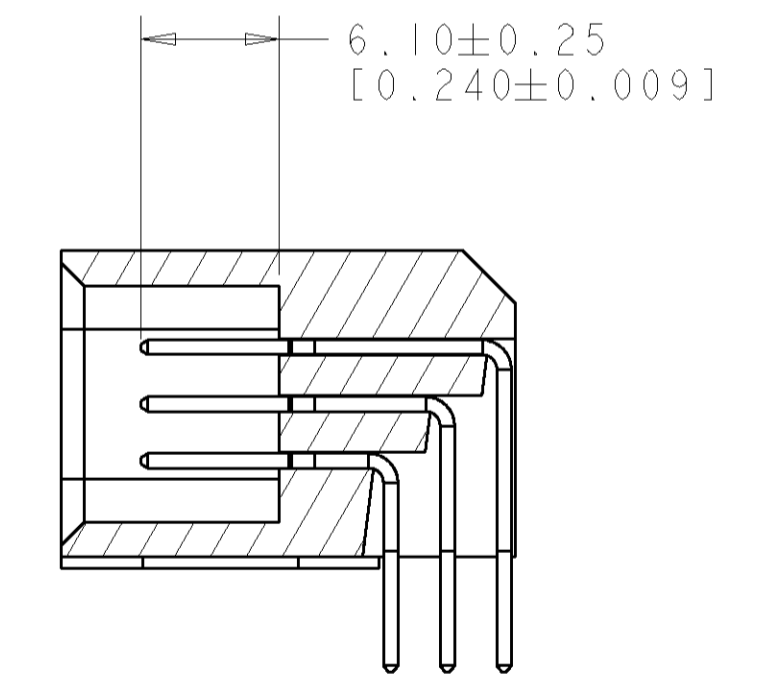
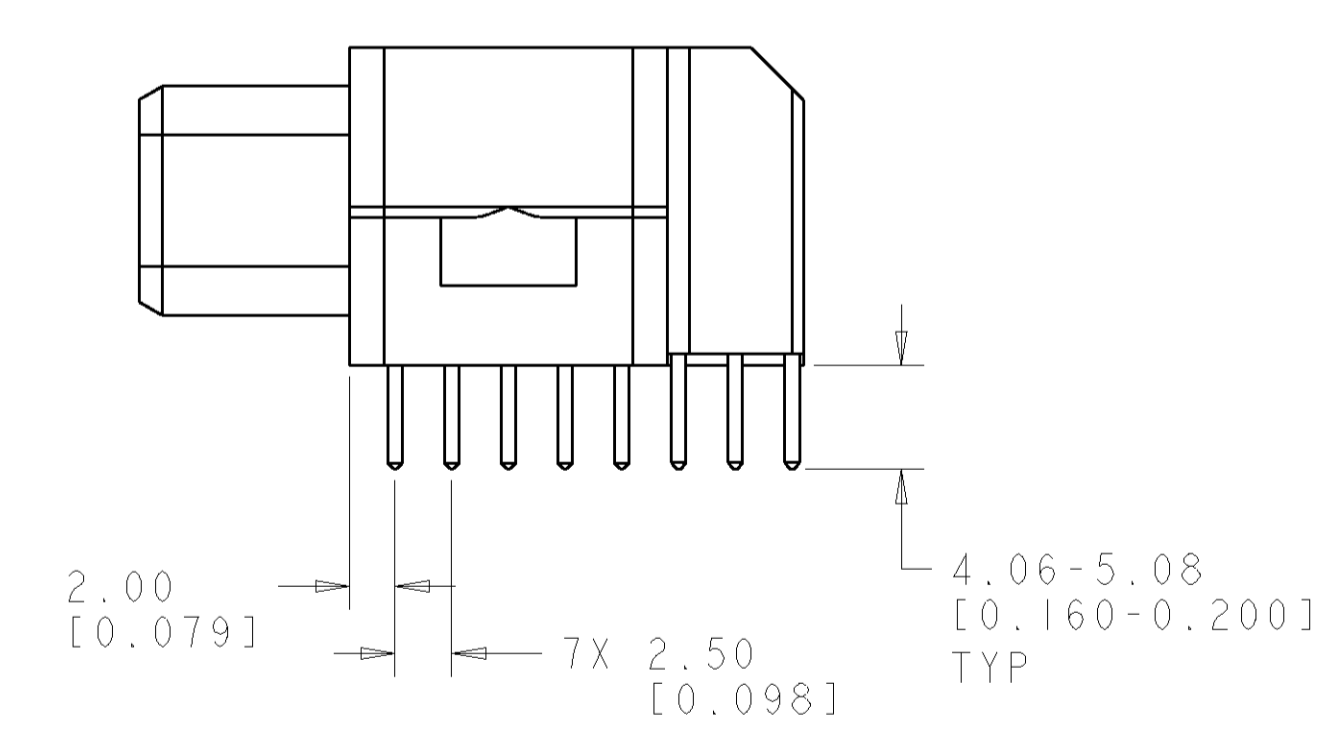
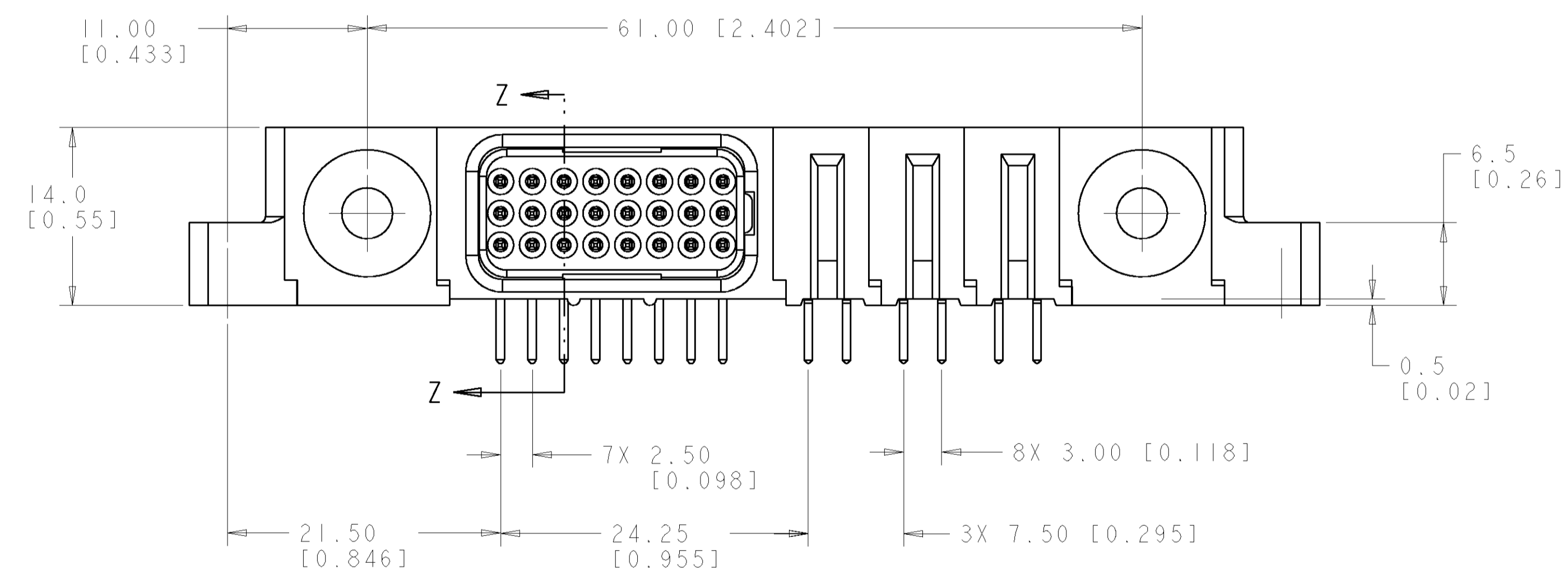
△ ITEMS PROVIDED TO THIS SPECIFICATION TO BE PERMANENTLY IDENTIFIED PER THE FOLLOWING IDENTIFIER LABEL

YEAR | WEEK

TYCO ELECTRONICS P/N DATE CODE (e.g. 0106)

XXXXXXX-X XXXX

△ MOUNTING FLANGES ACCEPTS M3 OR #4-40 SCREWS (USER SUPPLIED)



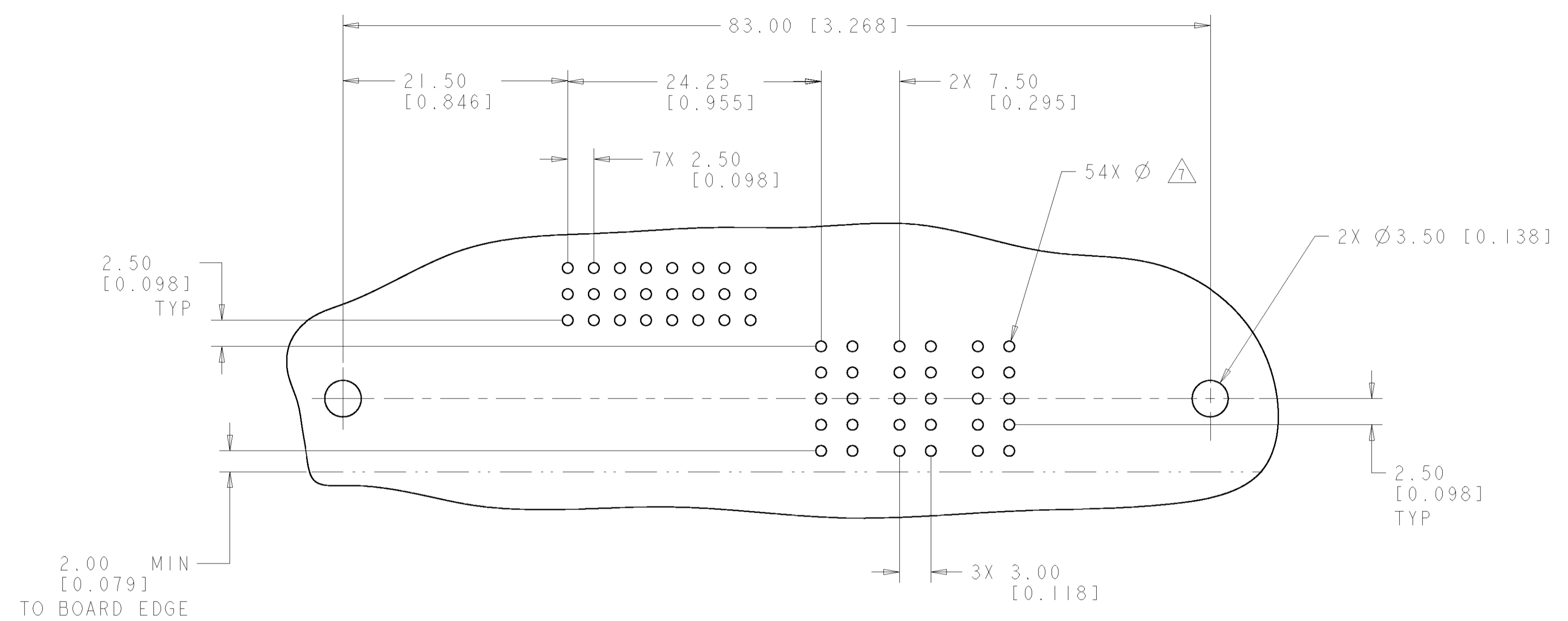
GENDER CHANGER REMOVED FOR CLARITY SECTION Z-Z

ELCON FLATPAQ

DIMENSIONS:		TOLERANCES UNLESS OTHERWISE SPECIFIED:		DWN R. GRZYBOWSKI 19JUN07	
mm	0 PLC ±	1 PLC ±.3 [0.12]	2 PLC ±.15 [0.06]	ENR P. DAMATO 19JUN07	19JUN07
	3 PLC ±	4 PLC ±	ANGLES ±.5	APVD S. FLICKINGER 19JUN07	19JUN07
	MATERIAL -	FINISH -	WEIGHT -	NAME	CONNECTIONS
				PRODUCT SPEC	CONNECTIONS
				APPLICATION SPEC	CONNECTIONS
				SIZE	CAGE CODE DRAWING NO
				A100779	C=1646909
				CUSTOMER DRAWING	SCALE 3:1 SHEET 1 OF 3 REV A

AS SHOWN	1646909-1
DESCRIPTION	PART NUMBER

LOC	DIST	REVISIONS					
GP	00	P	LTR	DESCRIPTION	DATE	DWN	APVD
-	-	-	-	SEE SHEET 1	-	-	-

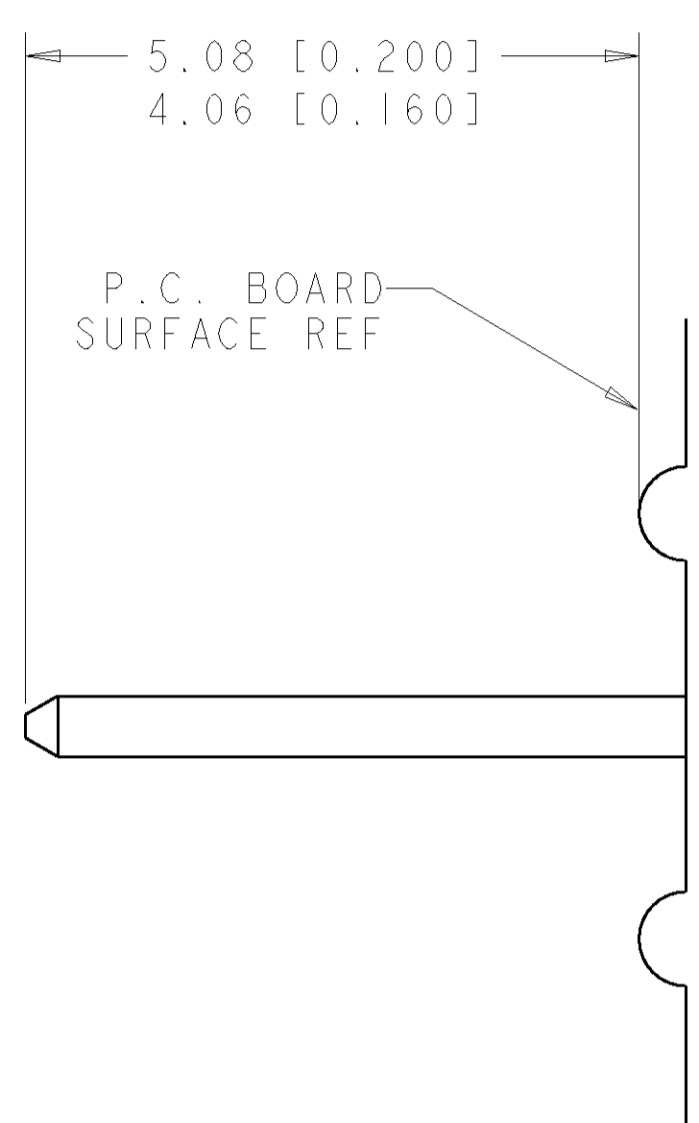


PRINTED CIRCUIT LAYOUT
 COMPONENT SIDE

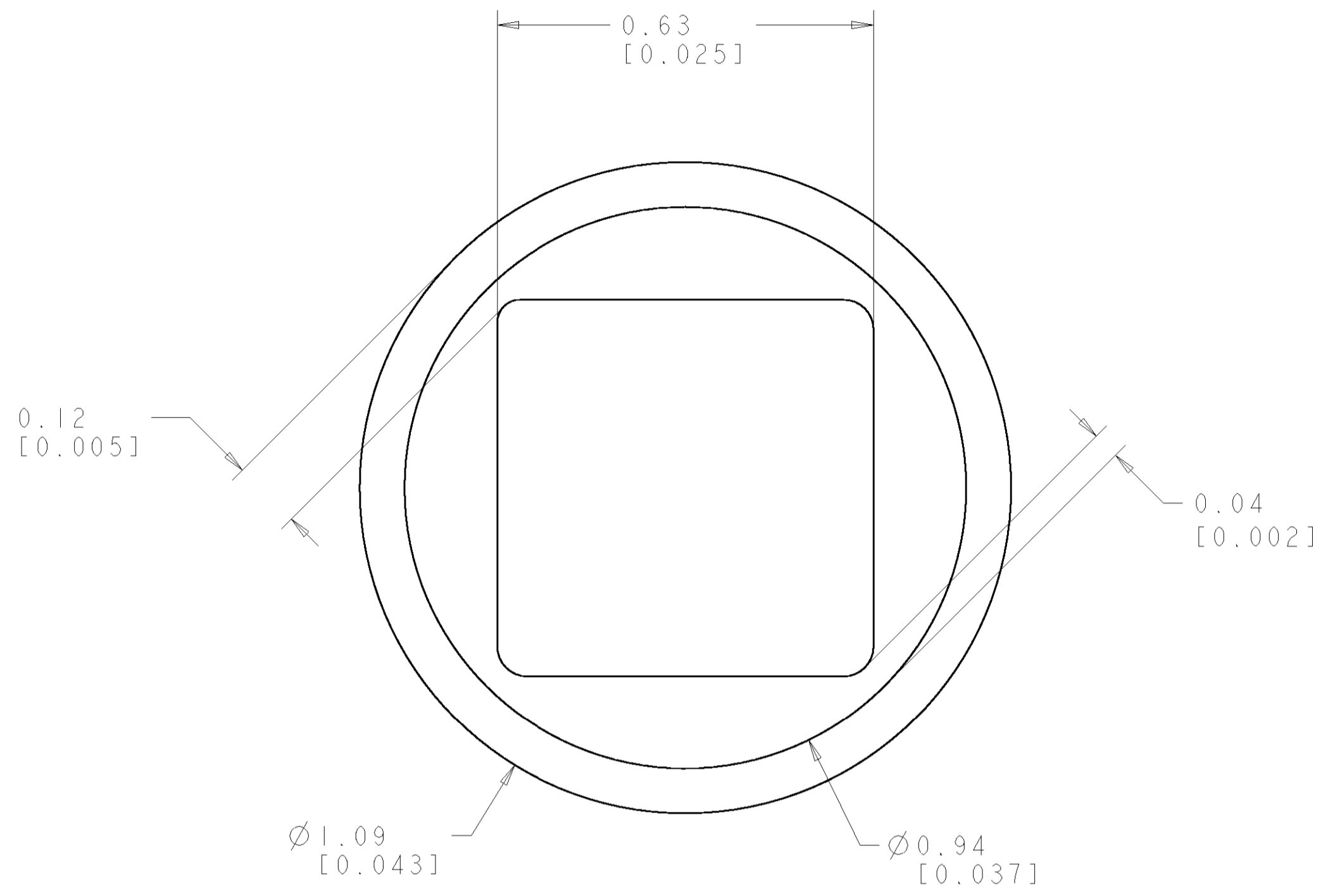
CONNECTOR	CATALOG MODULE #	QTY	SIZE NO.	CONTACT QTY	MATING PIN	MAX. CURRENT (PER CONTACT)	CONTACT SPACING	VOLTAGE RATING
SOCKET	FP104	3	8	3	1.25 X 7.00 [.049 X .276]	35 amps	7.50 [.2953]	250
	FP303	1	22	1	.64 [.025] SQ.	3 amps	2.50 [.0984]	125 VOLTS
	FP506	2	RIGHT ANGLE GUIDE SOCKET					
	FP0500	1	LEFT MOUNTING FLANGE					
	FP0501	1	RIGHT MOUNTING FLANGE					

<small>THE DIMENSIONS OF COMPONENTS SHOWN ON THIS DRAWING ARE THE DIMENSIONS OF THE PARTS AS SUPPLIED BY THE MANUFACTURER. THE DIMENSIONS OF THE BOARD ARE THE DIMENSIONS OF THE BOARD AS SUPPLIED BY THE MANUFACTURER. THE DIMENSIONS OF THE BOARD ARE THE DIMENSIONS OF THE BOARD AS SUPPLIED BY THE MANUFACTURER.</small>		DWN B. GRZYBOWSKI 19JUN07	Tyco Electronics Harrisburg, PA 17105-3608	
<small>IF A DIMENSION IS NOT SPECIFIED, THE DIMENSION SHALL BE THE DIMENSION OF THE PART AS SUPPLIED BY THE MANUFACTURER.</small>		CHK P. DAMATO 19JUN07	NAME CONNECTOR ASSEMBLY, SOCKET RIGHT ANGLE, SOLDER TAIL	
<small>IF A DIMENSION IS NOT SPECIFIED, THE DIMENSION SHALL BE THE DIMENSION OF THE PART AS SUPPLIED BY THE MANUFACTURER.</small>		APVD S. FLICKINGER 19JUN07	PRODUCT SPEC APPLICATION SPEC	
<small>IF A DIMENSION IS NOT SPECIFIED, THE DIMENSION SHALL BE THE DIMENSION OF THE PART AS SUPPLIED BY THE MANUFACTURER.</small>		SIZE A100779C=1646909		RESTRICTED TO
<small>IF A DIMENSION IS NOT SPECIFIED, THE DIMENSION SHALL BE THE DIMENSION OF THE PART AS SUPPLIED BY THE MANUFACTURER.</small>		WEIGHT CUSTOMER DRAWING		SCALE 3:1 SHEET 2 OF 3 REV A

LOC	DIST	REVISIONS			
P	LTR	DESCRIPTION	DATE	DWN	APVD
-	-	SEE SHEET 1	-	-	-



6. SOLDER TAIL DETAIL
SCALE 10 : 1



△ SOLDER TERMINATION AREA
 SCALE 40:1
 RECOMMENDED PRINTED CIRCUIT SOLDER HOLE
 FINISHED HOLE: Ø1.02 [0.040] ±.08 [0.003]
 DRILLED HOLE: Ø1.15 [0.0453] ±.013 [0.0005]
 COPPER PLATE: .025 [0.0010] MIN. (PER SURFACE)
 TIN PLATE: .008 [0.0003] MIN. (PER SURFACE)

<small>THIS DRAWING IS UNPUBLISHED. RELEASED FOR PUBLICATION. ALL RIGHTS RESERVED. THIS DRAWING IS THE PROPERTY OF TYCO ELECTRONICS CORPORATION. IT IS TO BE USED ONLY FOR THE PURPOSES AND CONDITIONS SPECIFIED IN THE ORDER. CONTACT TYCO ELECTRONICS CORPORATION FOR ALL OTHER INFORMATION.</small>		DWN: B. GRZYBOWSKI 19JUN07 CHK: P. DAMATO 19JUN07 APVD: S. FLICKINGER 19JUN07	Tyco Electronics Harrisburg, PA 17105-3608
DIMENSIONS: mm 	TOLERANCES UNLESS OTHERWISE SPECIFIED: 0 PLC ±. 1 PLC ±.3 [0.12] 2 PLC ±.15 [0.06] 3 PLC ±. 4 PLC ±. ANGLES ± 5 FINISH	NAME: S. FLICKINGER PRODUCT SPEC: APPLICATION SPEC: WEIGHT: CUSTOMER DRAWING	NAME: CONNECTOR ASSEMBLY, SOCKET RIGHT ANGLE, SOLDER TAIL SIZE: A 00779 C=1646909 SCALE: 3:1 SHEET 3 OF 3 REV A

单击下面可查看定价，库存，交付和生命周期等信息

[>>TE Connectivity\(泰科\)](#)