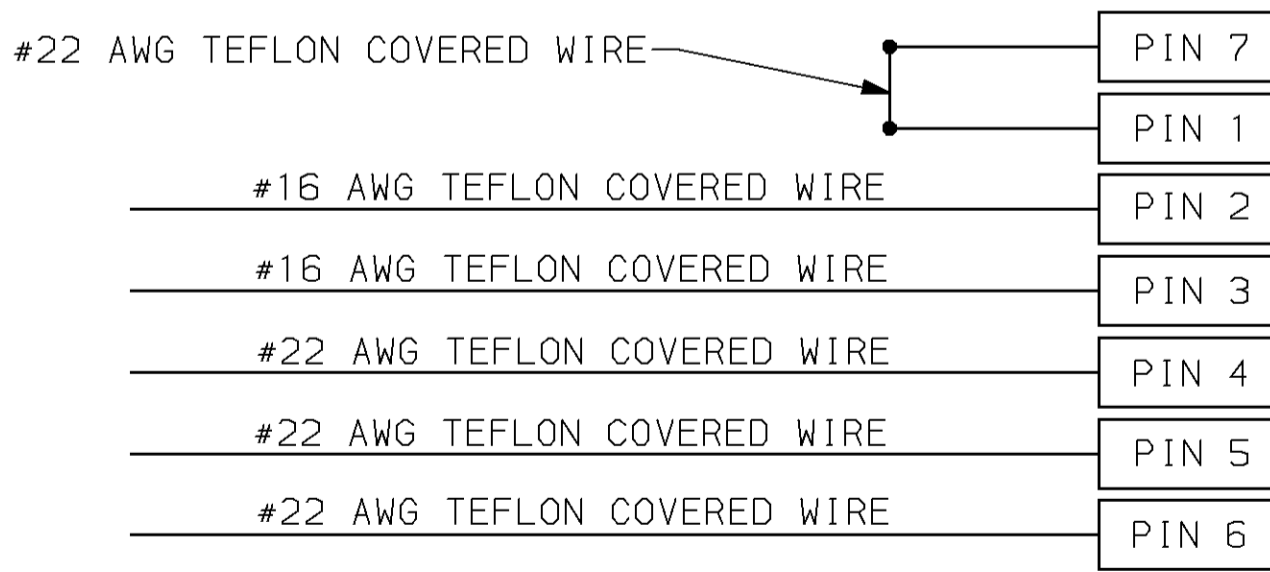
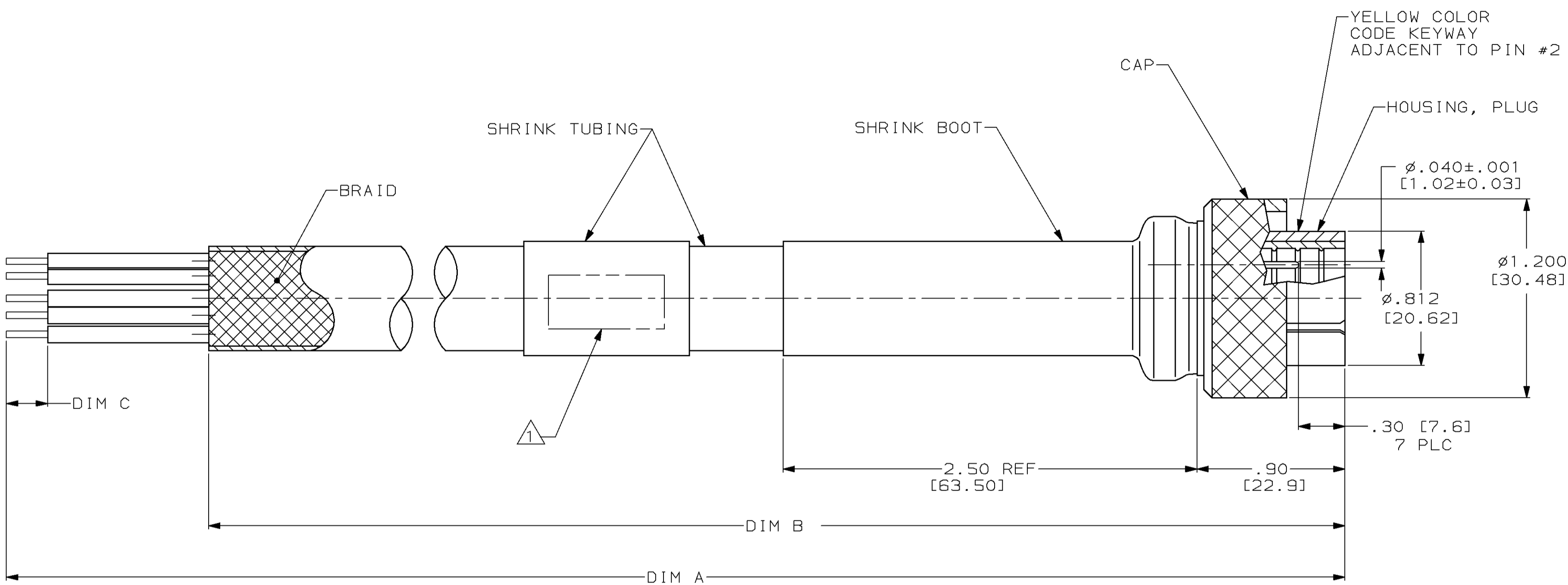


LOC	DIST	P	F	ZONE	LTR	REVISIONS	DATE	APPD
DF	SO				K	REV & REDRAWN; 0600-7132-98	CT 11-98	DE
						DESCRIPTION		



SCHMATIC

OBSOLETE	-	144.00 [3657.6]	144.00 [3657.6]	862800-5
	-	120.00 [3048.0]	120.00 [3048.0]	862800-4
	.25 [6.4]	40.00 [1016.0]	43.00 [1092.2]	862800-3
OBSOLETE	.25 [6.4]	37.00 [939.8]	40.00 [1016.0]	862800-2
OBSOLETE	.25 [6.4]	15.25 [387.3]	18.25 [463.5]	862800-1

- 1 MARKED IN THIS AREA.
- 2. PLUG TO MATE WITH AMP PART NO. 862004 RECEPTACLE.
- 3 TOLERANCE: UP TO 24.00" [609.6] = ±.12 [3.0]
24.00" [609.6] & UP = ±1%

DO NOT SCALE PRINT. UNLESS SPECIFIED DIMENSIONS IN INCHES [mm] TOLERANCES ON : 2 PLC DEC ± .02 [0.5] 3 PLC DEC ± .005 [0.13] ANGLES ± -	DR 11-6-98 C.C. THOMAS	AMP INCORPORATED Harrisburg, Pa. 17105		
MATERIAL -	CHK 11-9-98 D.EABY			
FINISH -	APPD 11-9-98 D.EABY	NAME PLUG & CABLE ASSEMBLY, 7 PIN, SHIELDED, LGH		
	RLSE 11-9-98 C.C. THOMAS	SIZE C	FSCM NO 00779	DRAWING NO 862800
	PRODUCT SPEC -	SCALE 2:1		SHEET 1 OF 1
	APPLICATION SPEC -			
	WEIGHT -			

单击下面可查看定价，库存，交付和生命周期等信息

[>>TE Connectivity\(泰科\)](#)