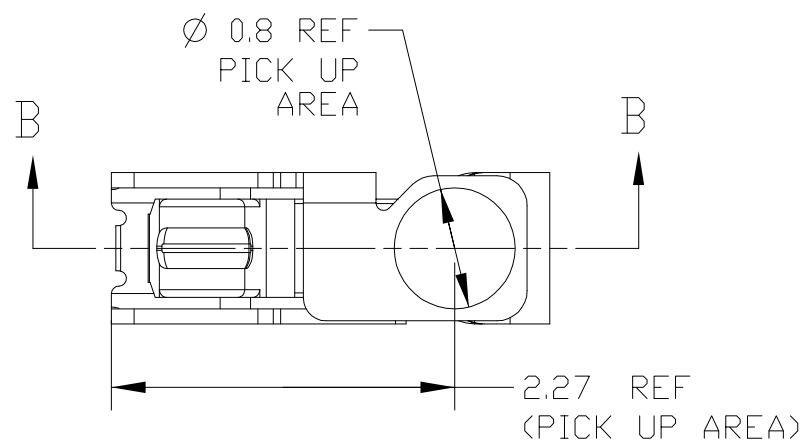
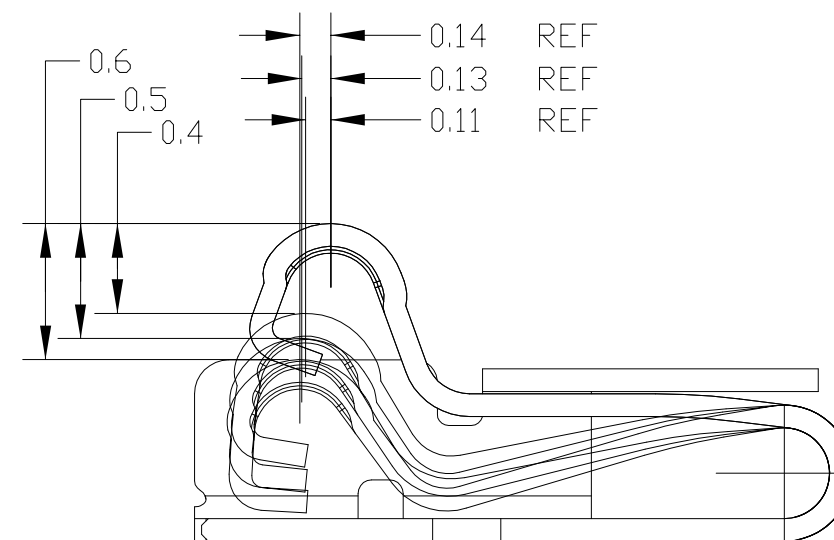


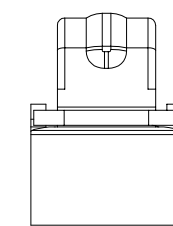
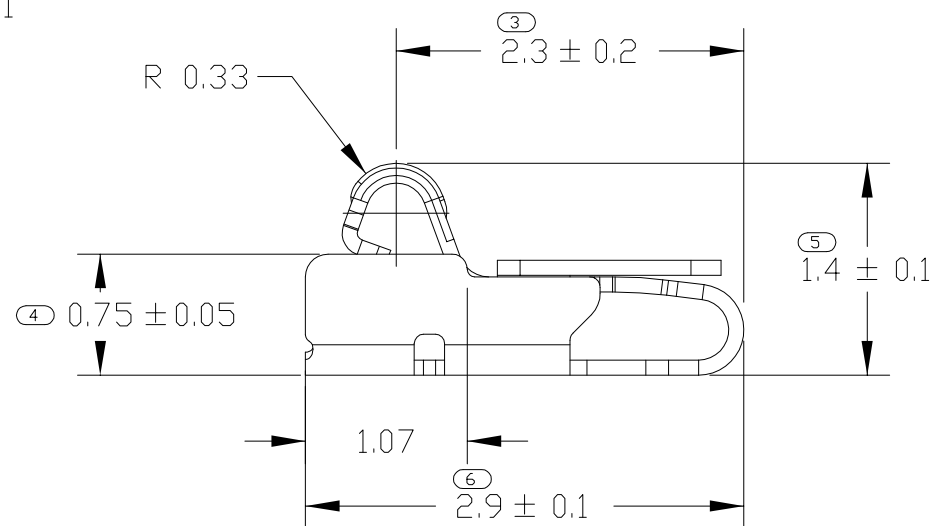
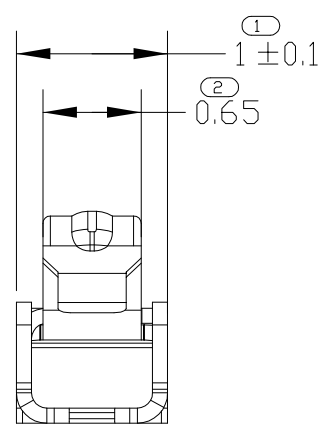
LOC	DIST	REVISIONS					
		P	LTR	DESCRIPTION	DATE	DWN	APVD
-	-		B	REVISED	05JUNE2013	IC.K	JH.K
			C	REVISED	10JUNE2013	IC.K	JH.K
			C1	REVISED	25FEB2014	IC.K	JH.K
			C2	REVISED	05FEB2015	IC.K	JH.K



AS SHOWN  
 (1) 2108610-5/6  
 (2) 2-2108610-6

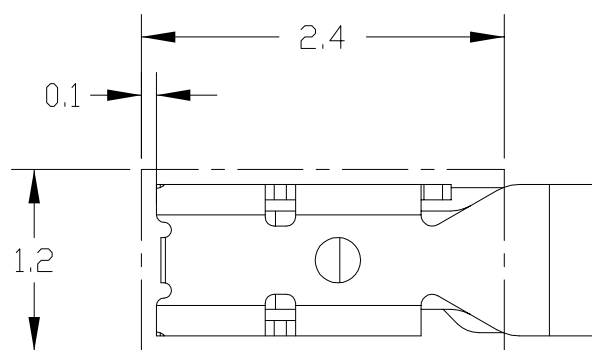


STROKE CONDITION (REFERENCE)  
SECTION B-B

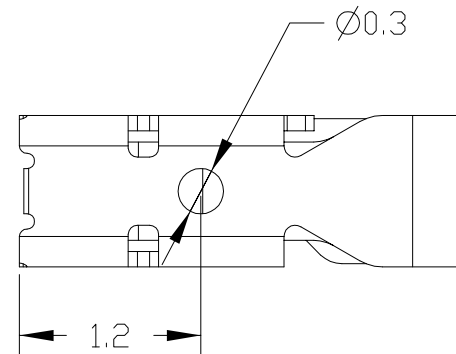


- (1) MATERIAL: COPPER ALLOY, THK.=0.1mm
- (2) FINISH: NI UNDER PLATING ALL OVER 0.8~3.0um.  
CONTACT PLATING: Au 0.1~0.4um  
SOLDER PLATING: Au FLASH 0.05~0.35um
- 3. CUTTING BURR: 0.05mm MAX.
- (1) (4) F/G SHOULD BE SEPARATED BASED ON THE CUSTOMER'S PART NUMBER AS BELOW TABLE

NO	PART NUMBER	CUSTOMER PART NUMBER	PRODUCT SPEC
1	2108610-5	MBV62562001	108-61185
2	2108610-6	EAG63652301	108-61250
(2) 3	2-2108610-6	-	108-61250



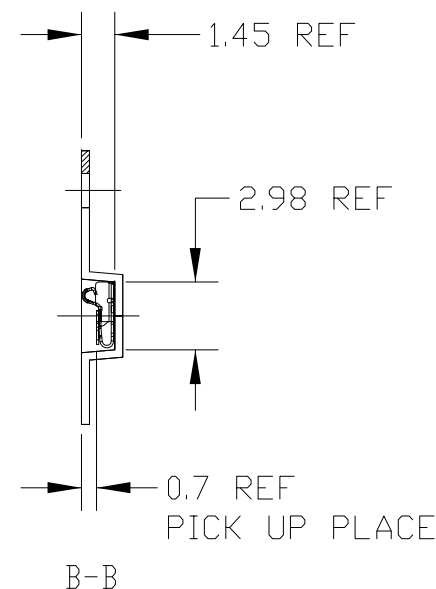
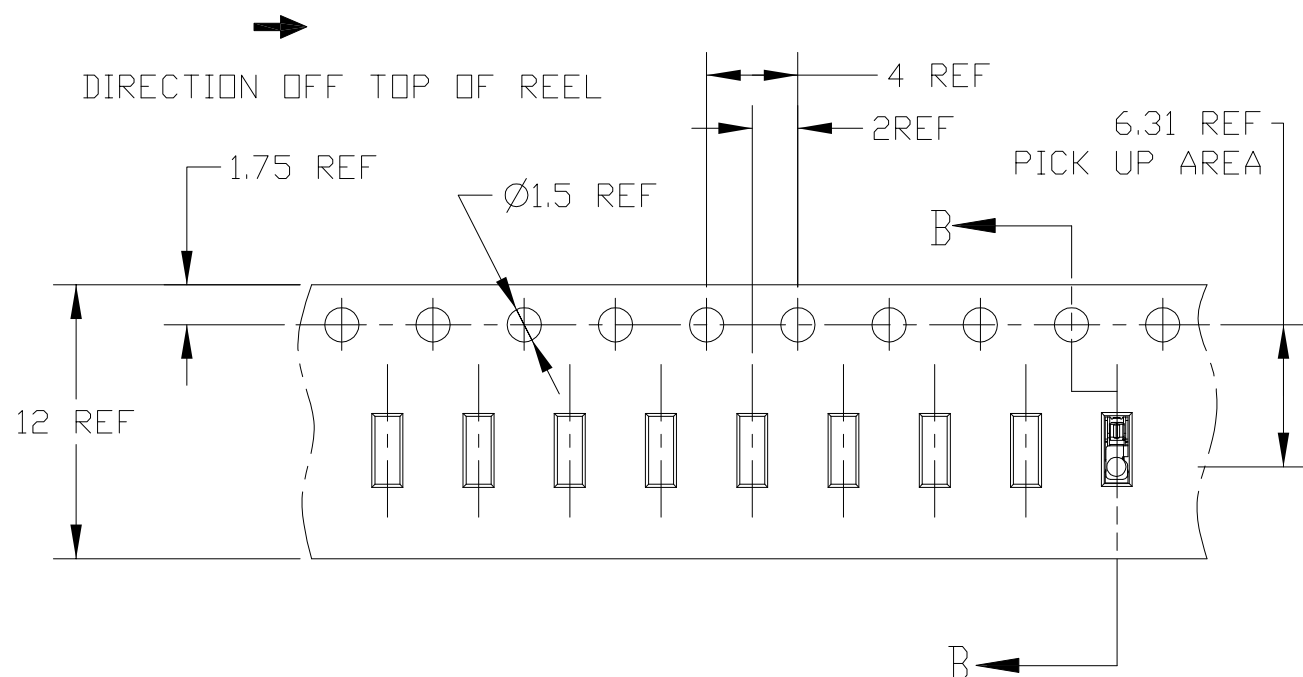
RECOMENDED PCB LAYOUT (REFERENCE)



THIS DRAWING IS A CONTROLLED DOCUMENT.		DWN JH GONG 08FEB2013		
DIMENSIONS: mm		CHK JH KIM 08FEB2013		
TOLERANCES UNLESS OTHERWISE SPECIFIED: ±0.15		APVD JH KIM 08FEB2013	NAME	
0-PLC ± 1-PLC ±0.5 2-PLC ±0.13 3-PLC ±0.013 4-PLC ±0.0001 ANGLES ±		PRODUCT SPEC SEE TABLE 4	SPRING FINGER 1.4H	
MATERIAL (1)		APPLICATION SPEC	SIZE	RESTRICTED TO
FINISH (2)		WEIGHT	CAGE CODE	
		CUSTOMER DRAWING	DRAWING NO	
			SCALE 20:1	
			SHEET 1 OF 3	
			REV C2	

P	LTR	DESCRIPTION	DATE	DWN	APVD
		SEE SHEET 1			

①④ <2108610-5 : MBV62562001>

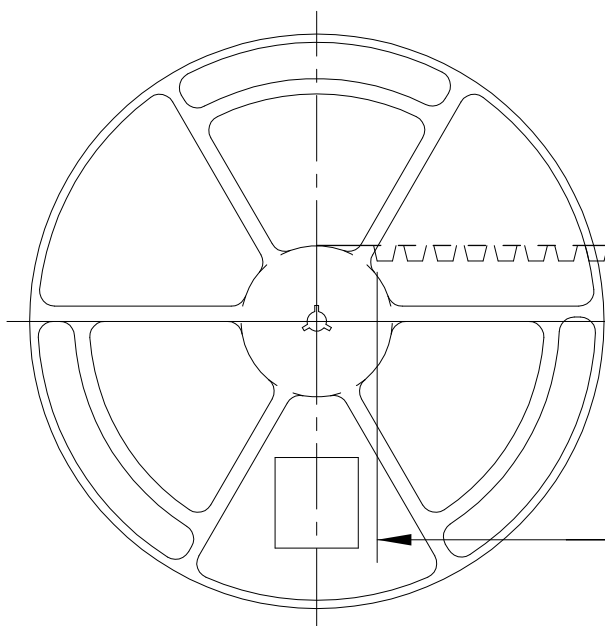
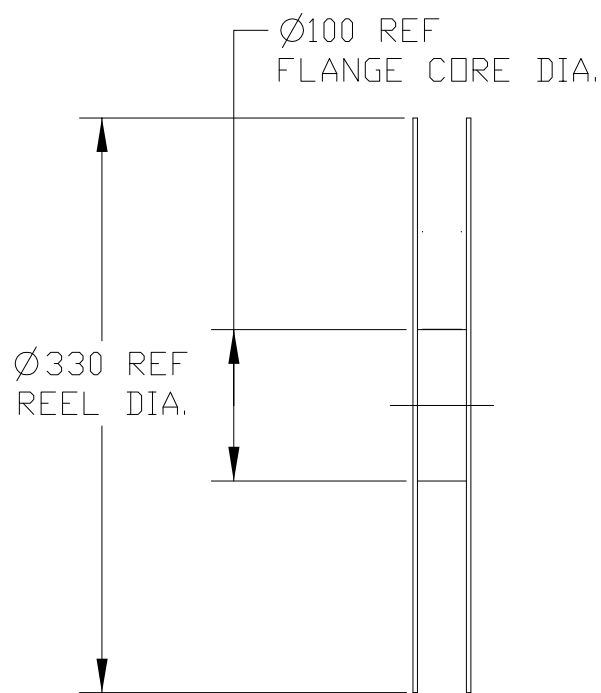


①

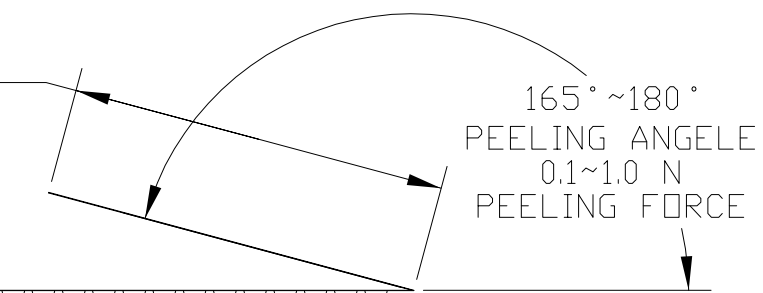
MBV62562001-YYYYMMDD-\*\*\*\*\*-HK000120  
 SPEC: 1.4H SPRING FINGER WITH EMBOSS  
 Company Name: TE CONNECTIVITY  
 Tyco Part Number :2108610-5

**RoHS H/F**

- 1. LG PART NO.
- 2. FINAL INSPECTION(YYYMMDD)
- 3. VENDOR PRODUCTION LOT NO.
- 4. VENDOR CODE



WEEDING THE COVER TAPE, AROUND THE OUTER PERIPHERY IN A TURN.



WITH PRODUCT CHARGE 9000EA/1REEL

WITHOUT CHARGE 400mm REF.

160mm REF WITHOUT CHARGE

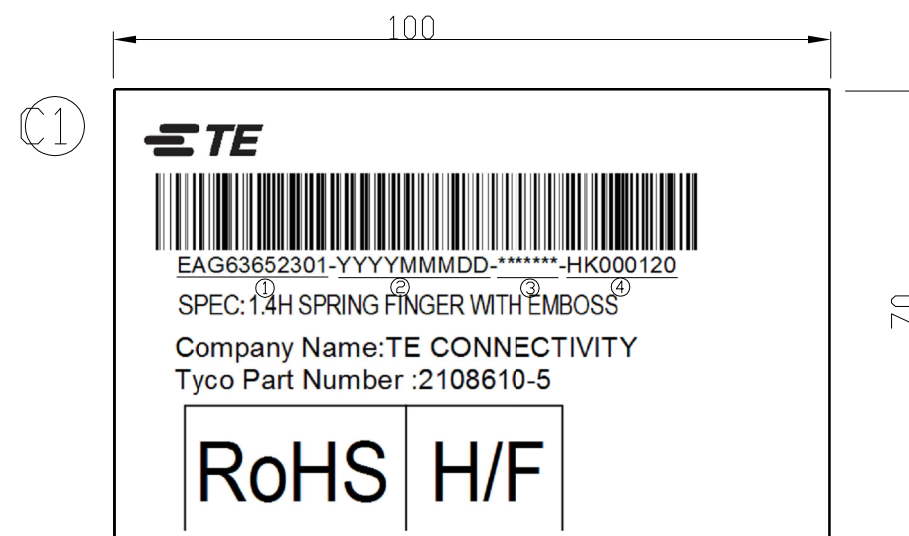
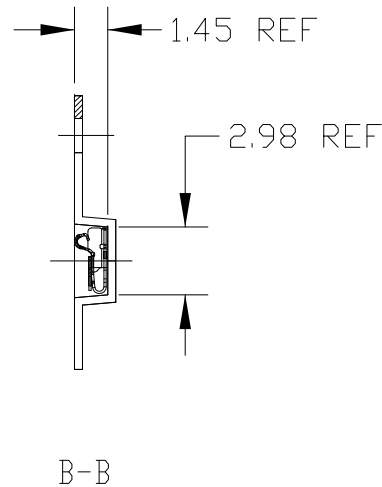
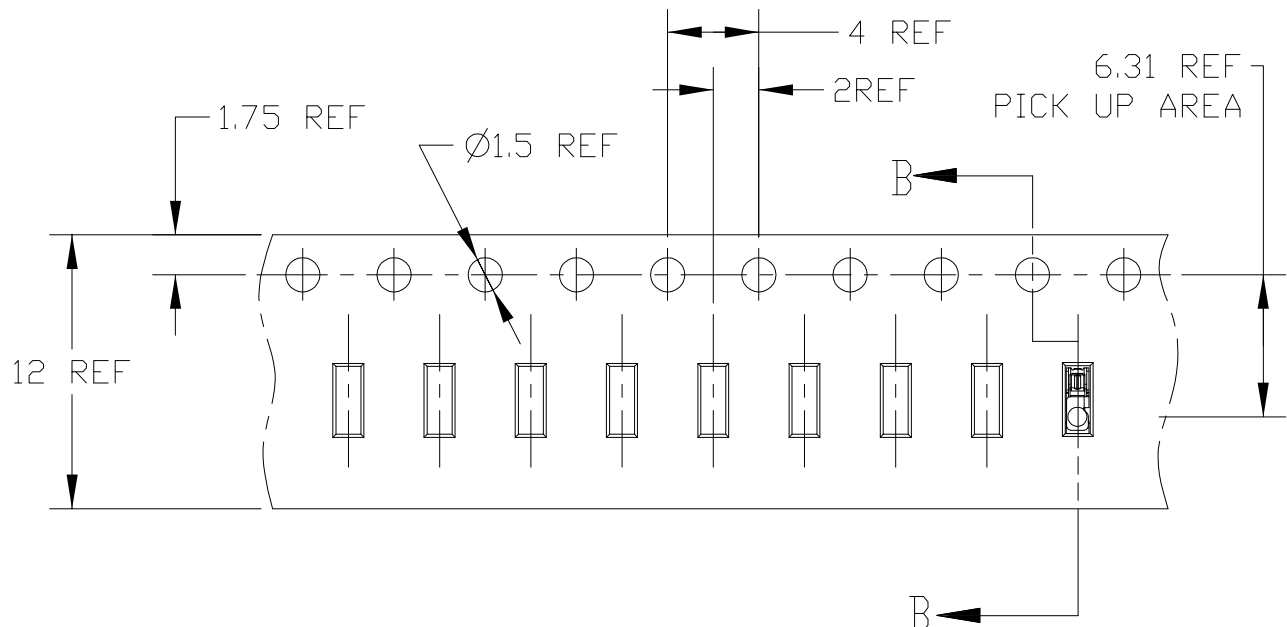
13.4 REF  
19.4 REF REEL WIDTH

THIS DRAWING IS A CONTROLLED DOCUMENT.		DWN JH GONG 08FEB2013	TE Connectivity	
DIMENSIONS: mm		CHK JH KIM 08FEB2013		
TOLERANCES UNLESS OTHERWISE SPECIFIED:		APVD JH KIM 08FEB2013	NAME	
0 PLC ±	1 PLC ±0.5	PRODUCT SPEC	SPRING FINGER 1.4H	
2 PLC ±0.13	3 PLC ±0.013	APPLICATION SPEC	SIZE A3	CAGE CODE 00779
4 PLC ±0.0001	ANGLES ±	WEIGHT	DRAWING NO C=C_2108610	RESTRICTED TO
MATERIAL -	FINISH -	CUSTOMER DRAWING	SCALE 20:1	SHEET 2 OF 3
			REV C2	

P	LTR	DESCRIPTION	DATE	DWN	APVD
		SEE SHEET 1			

①4 <2108610-6 : EAG63652301>

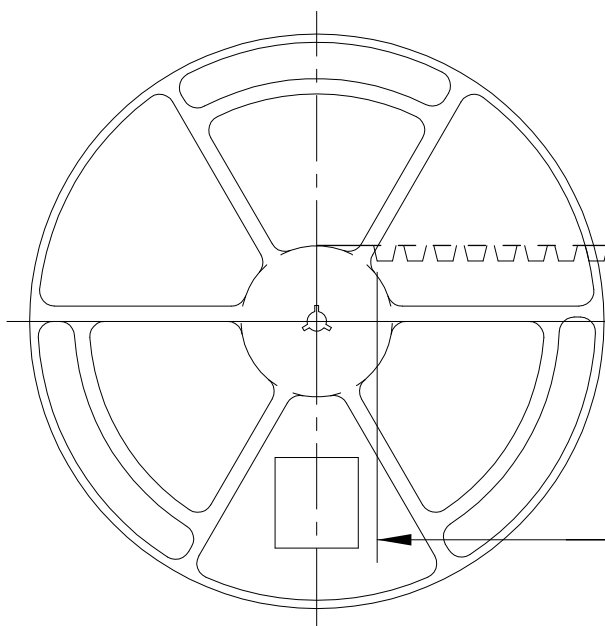
DIRECTION OFF TOP OF REEL



- 1. LG PART NO.
- 2. FINAL INSPECTION(YYMMDD)
- 3. VENDOR PRODUCTION LOT NO.
- 4. VENDOR CODE

Ø100 REF FLANGE CORE DIA.

Ø330 REF REEL DIA.



WEEDING THE COVER TAPE, AROUND THE OUTER PERIPHERY IN A TURN.

165°~180° PEELING ANGLE, 0.1~1.0 N PEELING FORCE

WITH PRODUCT CHARGE 9000EA/1REEL

WITHOUT CHARGE 400mm REF.

160mm REF WITHOUT CHARGE

13.4 REF, 19.4 REF REEL WIDTH

THIS DRAWING IS A CONTROLLED DOCUMENT.		DWN JH GONG 08FEB2013	TE Connectivity	
DIMENSIONS: mm		CHK JH KIM 08FEB2013		
TOLERANCES UNLESS OTHERWISE SPECIFIED:		APVD JH KIM 08FEB2013	NAME	
0 PLC ±	1 PLC ±0.5	PRODUCT SPEC	SPRING FINGER 1.4H	
2 PLC ±0.13	3 PLC ±0.013	108-XXXXX	SIZE	CAGE CODE
4 PLC ±0.0001	ANGLES ±	APPLICATION SPEC	A3	00779
MATERIAL -	FINISH -	WEIGHT -	DRAWING NO	
		CUSTOMER DRAWING	C=C_2108610	
			RESTRICTED TO	
			SCALE 20:1	SHEET 3 OF 3
				REV C2

单击下面可查看定价，库存，交付和生命周期等信息

[>>TE Connectivity\(泰科\)](#)